

SACC-M12FSS-3PECON-PG11-M - Power connector



1404642

<https://www.phoenixcontact.com/in/products/1404642>

Please be informed that the data shown in this PDF document is generated from our Online Catalog. Please find the complete data in the user documentation. Our General Terms of Use for Downloads are valid.



Power connector, Power, 4-position, Socket straight M12, S, Screw connection, knurl material: Zinc die-cast, nickel-plated, cable gland Pg11, external cable diameter 8 mm ... 10 mm, for AC current up to 12 A/630 V

Your advantages

- Safe use in the field, thanks to a high degree of protection
- Screw connection: proven connection technology for a large selection of different conductors
- High-performance: AC connectors for up to 12 A and 630 V AC
- Protection against incorrect connection using special S-coding

Commercial Data

| | |
|--------------------------------------|---------------------|
| Item number | 1404642 |
| Packing unit | 1 pc |
| Minimum order quantity | 1 pc |
| Sales Key | BF2 |
| Product Key | BF2CAB |
| Catalog Page | Page 279 (C-2-2019) |
| GTIN | 4046356707732 |
| Weight per Piece (including packing) | 28.65 g |
| Weight per Piece (excluding packing) | 28.61 g |
| Customs tariff number | 85366990 |
| Country of origin | DE |

1404642

<https://www.phoenixcontact.com/in/products/1404642>

Technical Data

Notes

| | |
|-----------------------|--|
| General | Strip 21 mm off the cable sheath, strip 6 mm off the conductor insulation, crimp the ferrule, then shorten this to 5 mm. Conductor length with shortened ferrule: 20 mm. Connect conductors and tighten the mounting screws with 0.2 Nm. |
| Assembly instruction: | NOTE: Observe the permissible bending radii when laying conductors, since the degree of protection may be put in jeopardy if the bending forces are too high. Alleviate mechanical loads upstream of the connector, e.g. by using cable ties. |

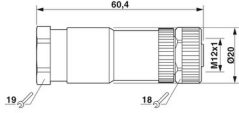
Product properties

| | |
|----------------------|---------------------------------|
| Product type | Circular connector (cable-side) |
| Number of positions | 4 |
| Application | Power supply |
| No. of cable outlets | 1 |
| Shielded | no |
| Coding | S |
| Cable outlet | straight |
| Pg screw connection | Pg11 |

Insulation characteristics

| | |
|----------------------|-----|
| Overvoltage category | III |
| Degree of pollution | 3 |

Dimensions

| | |
|------------------------|--|
| Dimensional drawing |  |
| Width | 20 mm |
| Height | 20 mm |
| Length | 60.4 mm |
| Wrench size, union nut | 19 mm |

External dimensions

| | |
|------------------|----------------|
| Outside diameter | 8 mm ... 10 mm |
|------------------|----------------|

Housing

| | |
|------------------|-------|
| Diameter housing | 20 mm |
|------------------|-------|

Material specifications

| | |
|--|-------|
| Color Handle area | black |
| Flammability rating according to UL 94 | V0 |
| Seal material | Viton |

1404642

<https://www.phoenixcontact.com/in/products/1404642>

| | |
|-------------------------------|------------------------------|
| | NBR |
| Material of grip body | PA |
| Contact material | CuZn |
| Contact surface material | Au |
| Contact carrier material | PA |
| Material for screw connection | Zinc die-cast, nickel-plated |

Connection data

Conductor connection

| | |
|---|--|
| Connection method | Screw connection |
| Connection cross section | 0.75 mm ² ... 1.5 mm ² (with ferrule) |
| | 0.75 mm ² ... 2.5 mm ² (solid) |
| Connection cross section AWG | 18 ... 16 (with ferrule) |
| Stripping length of the individual wire | 5 mm |
| Tightening torque | 0.4 Nm (M12 knurl) |
| | 1.5 Nm ... 2 Nm (Pressure screw with sleeve housing) |
| | 0.4 Nm (Screw plug insert with sleeve housing as far it will go) |
| | 0.2 Nm (Screw terminal blocks) |

Electrical properties

| | |
|--------------------------------|--|
| Rated surge voltage | 6 kV |
| Contact resistance | ≤ 3 mΩ |
| Insulation resistance | > 10 GΩ |
| Nominal voltage U _N | 630 V AC |
| Nominal current I _N | 12 A (when using 1.5 mm ² conductors) |
| | 12 A (at 40 °C) |

Mechanical properties

Mechanical data

| | |
|-----------------------------|-------|
| Insertion/withdrawal cycles | ≥ 100 |
|-----------------------------|-------|

Connector

Connection 1

| | |
|-------------------|----------|
| Head design | Socket |
| Head cable outlet | straight |
| Head thread type | M12 |
| Coding | S |

Cable/line

| | |
|---|-------|
| Signal type/category | Power |
| Stripping length of the individual wire | 5 mm |

Environmental and real-life conditions

SACC-M12FSS-3PECON-PG11-M - Power connector



1404642

<https://www.phoenixcontact.com/in/products/1404642>

Ambient conditions

| | |
|---------------------------------|----------------------------------|
| Degree of protection | IP67 |
| Ambient temperature (operation) | -40 °C ... 85 °C (Plug / socket) |

Standards and regulations

M12

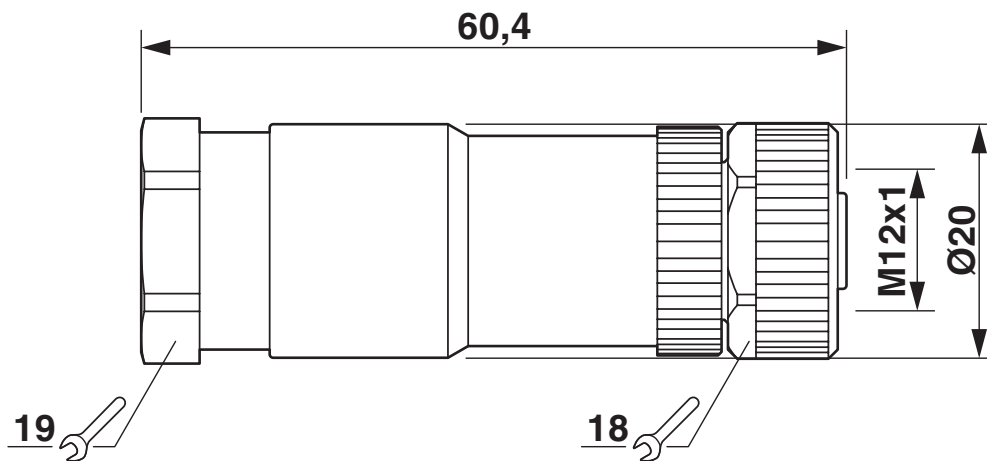
| | |
|--------------------------|-----------------|
| Standards/specifications | IEC 61076-2-111 |
|--------------------------|-----------------|

1404642

<https://www.phoenixcontact.com/in/products/1404642>

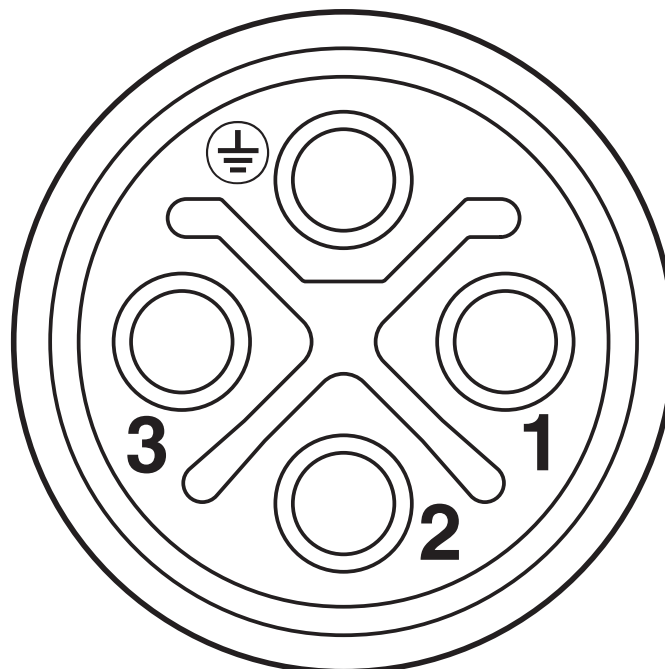
Drawings

Dimensional drawing



M12 x 1 socket, straight

Schematic diagram



Pin assignment of M12 socket, 4-pos., S-coded, socket side view

SACC-M12FSS-3PECON-PG11-M - Power connector




1404642

<https://www.phoenixcontact.com/in/products/1404642>

Approvals

| | | | | |
|---|-----------------------|-----------------------|-------------------|-----------------------------|
|  cUL Recognized Approval ID: FILE E 221474 | | | | |
| | Nominal Voltage U_N | Nominal Current I_N | Cross Section AWG | Cross Section mm^2 |
| | 600 V | 12 A | - 16 | - |

| | | | | |
|--|-----------------------|-----------------------|-------------------|-----------------------------|
|  UL Recognized Approval ID: FILE E 221474 | | | | |
| | Nominal Voltage U_N | Nominal Current I_N | Cross Section AWG | Cross Section mm^2 |
| | 600 V | 12 A | - 16 | - |

| | | | | |
|---|--|--|--|--|
|  EAC Approval ID: RU C-DE.AI30.B.01102 | | | | |
| | | | | |

| | | | | |
|---|--|--|--|--|
|  EAC Approval ID: RU C-DE.BL08.B.00511 | | | | |
| | | | | |

1404642

<https://www.phoenixcontact.com/in/products/1404642>

Classifications

ECLASS

| | |
|-------------|----------|
| ECLASS-11.0 | 27440102 |
| ECLASS-12.0 | 27440116 |
| ECLASS-13.0 | 27440116 |

ETIM

| | |
|----------|----------|
| ETIM 8.0 | EC002635 |
|----------|----------|

UNSPSC

| | |
|-------------|----------|
| UNSPSC 21.0 | 39121400 |
|-------------|----------|

SACC-M12FSS-3PECON-PG11-M - Power connector



1404642

<https://www.phoenixcontact.com/in/products/1404642>

Environmental Product Compliance

| | |
|------------|--|
| REACH SVHC | Lead 7439-92-1 |
| China RoHS | Environmentally Friendly Use Period = 50 years |
| | For information on hazardous substances, refer to the manufacturer's declaration available under "Downloads" |

SACC-M12FSS-3PECON-PG11-M - Power connector



1404642

<https://www.phoenixcontact.com/in/products/1404642>

Accessories

TSD 04 SAC - Torque screwdriver

1208429

<https://www.phoenixcontact.com/in/products/1208429>



Torque screwdriver, with preset torque of 0.4 Nm and 4 mm hexagonal drive for M12 connectors

TSD-M 1,2NM - Torque screwdriver

1212224

<https://www.phoenixcontact.com/in/products/1212224>



Torque screw driver, accuracy as per EN ISO 6789 standard, adjustable from 0.3 - 1.2 Nm

SACC-M12FSS-3PECON-PG11-M - Power connector



1404642

<https://www.phoenixcontact.com/in/products/1404642>

TSD-M SAC-BIT ADAPTER - Adapter insert

1212600

<https://www.phoenixcontact.com/in/products/1212600>



Adapter bit for TSD-M...torque tools, E6.3-1/4" drive with 4 mm hexagon to accommodate SAC bits

SACC BIT M12-D20 - Tool

1208445

<https://www.phoenixcontact.com/in/products/1208445>



Nut for assembling M12 connectors for assembly with a knurl diameter of 20 mm, for 4 mm hexagonal drive

SACC-M12FSS-3PECON-PG11-M - Power connector



1404642

<https://www.phoenixcontact.com/in/products/1404642>

WIREFOX 6SC - Stripping tool

1212158

<https://www.phoenixcontact.com/in/products/1212158>



Stripping tool, for cables and conductors (especially for cables protected against short circuits and ground leakages) 1.5 - 6 mm², self-adjusting, stripping length of up to 18 mm, cutting capacity of up to 10 mm² stranded/1.5 mm² solid, replaceable stripping blade

CRIMPFOX 6H - Crimping pliers

1212046

<https://www.phoenixcontact.com/in/products/1212046>



Crimping pliers, for ferrules without insulating collar according to DIN 46228 Part 1 and ferrules with insulating collar according to DIN 46228 Part 4, 0.14 mm² ... 6 mm², unlockable pressure lock, lateral entry

SACC-M12FSS-3PECON-PG11-M - Power connector



1404642

<https://www.phoenixcontact.com/in/products/1404642>

A 1,5 - 7 - Ferrule

3200263

<https://www.phoenixcontact.com/in/products/3200263>

Ferrule, length: 7 mm, color: silver



PROT-M12 MS-PA-CHAIN - Screw plug

1430899

<https://www.phoenixcontact.com/in/products/1430899>

M12 sealing cap with fixing band, for sensor cables, for free M12 sockets



Phoenix Contact 2023 © - all rights reserved

<https://www.phoenixcontact.com>

PHOENIX CONTACT (I) Pvt. Ltd.

A-58/2, Okhla Industrial Area, Phase - II, New Delhi-110 020

+91.1275.71420

info@phoenixcontact.co.in