

SACC-E-MU-M16 - Flat nut



1504097

<https://www.phoenixcontact.com/in/products/1504097>

Please be informed that the data shown in this PDF document is generated from our Online Catalog. Please find the complete data in the user documentation. Our General Terms of Use for Downloads are valid.

Flat nut, Screw mounting, M16 x 1.5, Alternative product in accordance with RoHS II without Exemption 6c (Pb <0.1%) item no.: 1239863



Commercial Data

Item number	1504097
Packing unit	100 pc
Minimum order quantity	100 pc
Sales Key	ABQ
Product Key	ABQZCA
Catalog Page	Page 37 (C-2-2019)
GTIN	4017918833473
Weight per Piece (including packing)	2.85 g
Weight per Piece (excluding packing)	2.786 g
Customs tariff number	74153300
Country of origin	DE

SACC-E-MU-M16 - Flat nut

1504097

<https://www.phoenixcontact.com/in/products/1504097>



Technical Data

Product properties

Product type	Flat nut
Thread type	M16

Material specifications

Material	Brass, nickel-plated
Material for screw connection	Nickel-plated brass

Mounting

Mounting type	Screw mounting M16 x 1.5
---------------	--------------------------

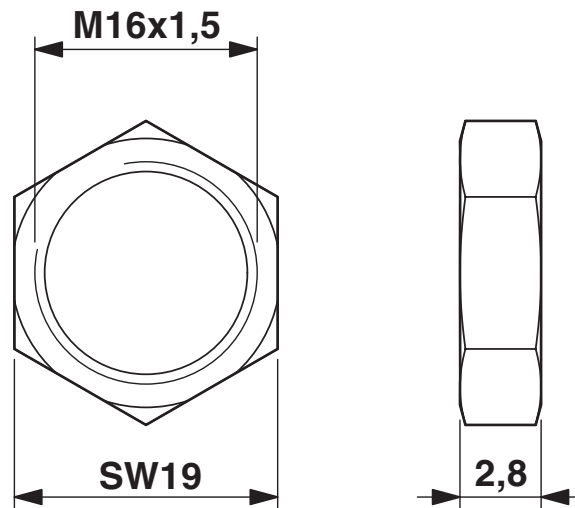
SACC-E-MU-M16 - Flat nut

1504097

<https://www.phoenixcontact.com/in/products/1504097>

Drawings

Dimensional drawing



Dimensional drawing

SACC-E-MU-M16 - Flat nut

1504097

<https://www.phoenixcontact.com/in/products/1504097>



Approvals



EAC

Approval ID: B.01687

SACC-E-MU-M16 - Flat nut



1504097

<https://www.phoenixcontact.com/in/products/1504097>

Classifications

ECLASS

ECLASS-11.0	27440210
ECLASS-12.0	27440210
ECLASS-13.0	27440210

ETIM

ETIM 8.0	EC002310
----------	----------

UNSPSC

UNSPSC 21.0	39121400
-------------	----------

SACC-E-MU-M16 - Flat nut



1504097

<https://www.phoenixcontact.com/in/products/1504097>

Environmental Product Compliance

REACH SVHC	Lead 7439-92-1
China RoHS	Environmentally Friendly Use Period = 50 years
	For information on hazardous substances, refer to the manufacturer's declaration available under "Downloads"

Phoenix Contact 2023 © - all rights reserved

<https://www.phoenixcontact.com>

PHOENIX CONTACT (I) Pvt. Ltd.

A-58/2, Okhla Industrial Area, Phase - II, New Delhi-110 020

+91.1275.71420

info@phoenixcontact.co.in