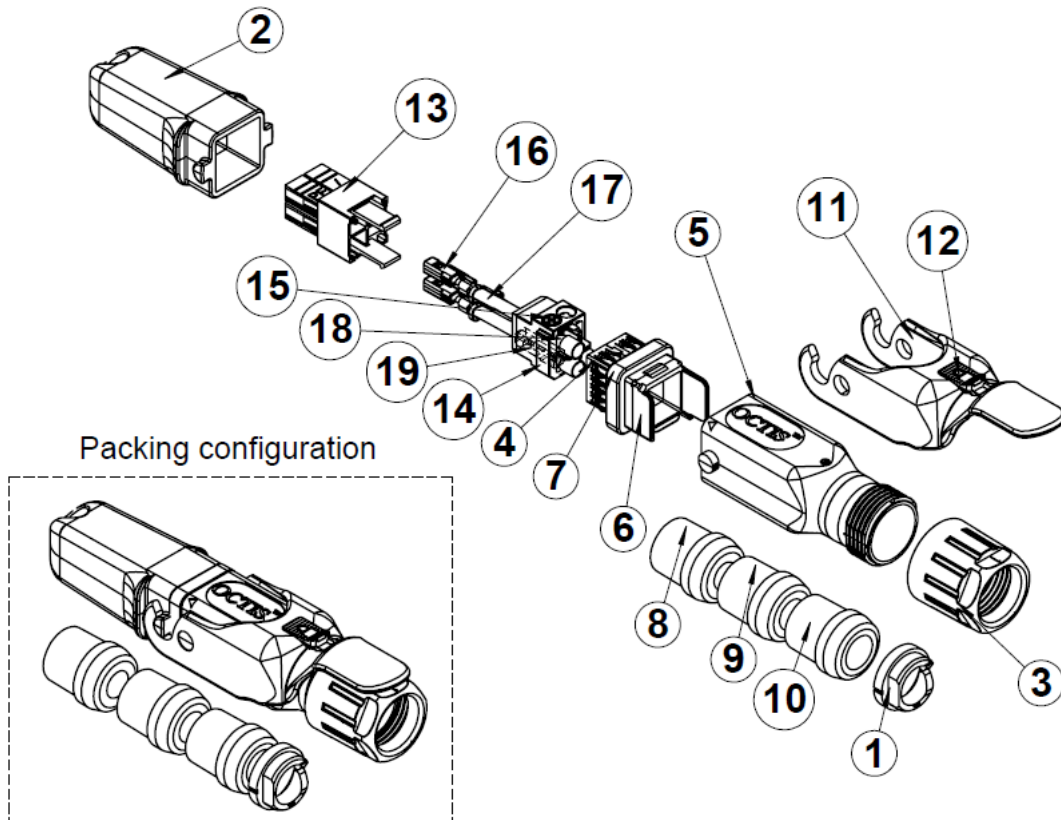
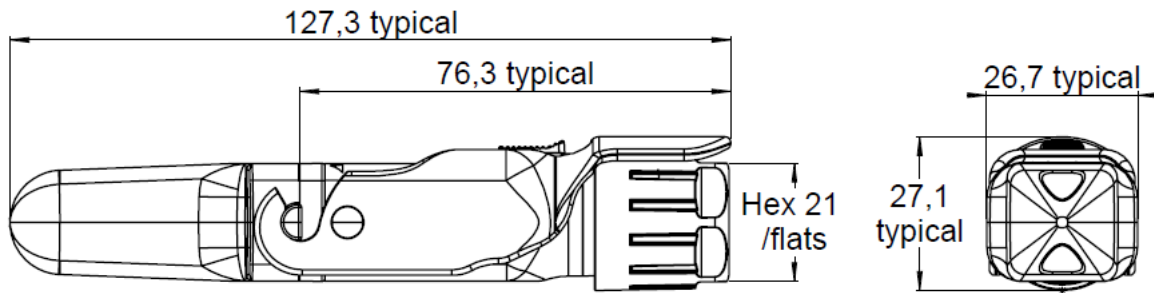


| | | | |
|----------|-----------------|--------------|------------------------|
| PAGE 1/3 | ISSUE 04-03-19A | SERIES OCTIS | PART NUMBER OCTI337550 |
|----------|-----------------|--------------|------------------------|



All dimensions are in mm. Tolerances according ISO 2768 m-H

DESCRIPTION

| REP | COMPONENT | MATERIALS | PLATING |
|-----|--------------------------|-----------------|--------------|
| 1 | Tightening cone | NYLON | - |
| 2 | Plug cap | PBT GF | - |
| 3 | Gland nut | PBT GF | PURPLE COLOR |
| 4 | Grounding ring | STAINLESS STEEL | - |
| 5 | Housing | PBT GF | - |
| 6 | Holder | ZAMAK | PASSIVATED |
| 7 | Interface sealing gasket | SILICON | |
| 8 | Rubber gland Ø8 | SILICON | |
| 9 | Rubber gland Ø9 | SILICON | |
| 10 | Rubber gland Ø10 | SILICON | |
| 11 | Lever | IXEF | |
| 12 | Locking button | PBT | |
| 13 | Terminal block | PLASTIC | |
| 14 | Inner block | PLASTIC | |
| 15 | Screw CM2.5x3.5 | STEEL | |
| 16 | Power contact | COPPER ALLOY | Sn |
| 17 | Wire | COPPER | |

| | | | |
|----------|-----------------|--------------|------------------------|
| PAGE 2/3 | ISSUE 04-03-19A | SERIES OCTIS | PART NUMBER OCTI337550 |
|----------|-----------------|--------------|------------------------|

| | | | |
|----|---------------|----------------|------|
| 18 | Bootlace | COPPER+PLASTIC | |
| 19 | Inner contact | BRASS | NiSn |

GENERAL CHARACTERISTICS

| | | |
|--|---|---|
| Mechanical Mating endurance (cycles) Axial Tensile load (N typical) Vibration Recom. coupling torque (N.cm) Terminal block: Recom. coupling torque (N.cm) Screw Weight (g) | IEC 61300-2-2 IEC 61300-2-4 IEC 61300-2-1 - - - - - | 100 150 * - 250 min /300 max TBD 40 71.6190 |
| Environmental Protection class Operating temperature (°C) Storage temperature (°C) Salt Mist RoHS Flammability UVB Resist (h) | IEC 60529 IEC 61300-2-22 IEC 61300-2-22 IEC 61300-2-26 (ISO21207 method B) - UL 94 ASTM G154 cycle 2 | IP67 ** -40 /+85 -65 / +85 720h ** Compliant V0 1000 |
| Electrical Working voltage Current rating - - Dielectric withstand voltage Insulation resistance | - - - EIA 364-20 EIA 364-21 | Max. 300 AC or DC 16A with AWG16 wire (stranded) 20A with AWG14 wire (stranded) 5000MΩ minimum initial 1000MΩ minimum after environmental aging |
| Others Equipment interface Board socket Cable Packaging | - - - - | For use with OCTIS™ panel interface or receptacle *** For use with OCTI.363.500 For use with power cable : 2 stranded conductors from 1.5 mm ² (AWG16 = 7xAWG24) to 2.5 mm ² (AWG14 = 7xAWG22) and braiding Unitary in plastic bag with assembly note. |

* Depending on cable characteristics

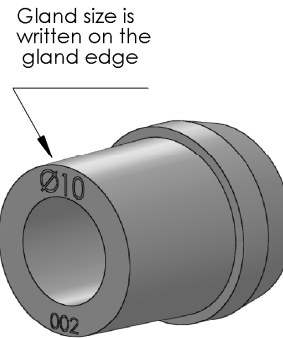
** Mated condition

*** If the interface is to be die casted into the equipment panel, please contact Radiall for license conditions and interface definition

| | | | |
|----------|-----------------|--------------|------------------------|
| PAGE 3/3 | ISSUE 04-03-19A | SERIES OCTIS | PART NUMBER OCTI337550 |
|----------|-----------------|--------------|------------------------|

RUBBER GLAND SELECTION CHART

| ΦD* | Recommended gland size |
|---------------------------|-------------------------------|
| From 4.8 min to 5.8 Max | "6" |
| From 5.8 min to 6.8 Max | "7" |
| From 6.8 min to 7.8 Max | "8" |
| From 7.8 min to 8.8 Max | "9" |
| From 8.8 min to 9.8 Max | "10" |
| From 10.3 min to 11.3 Max | "11.5" |



*Cable diameter under the gland. If the cable has a sleeve, the diameter over the sleeve should be considered
 The tolerances of ΦD should be taken into account to make sure it is always within the specified range