

Product datasheet

Specifications



Tower Light - RAG - 24V - LED - W.Buzzer - Tube mounting with foldable bracket

XVGB3SM

! Discontinued on: 27 August 2020

! Discontinued

Main

Range of product	Harmony XVG
Product or component type	Complete pre-wired monolithic tower light
Beacon or indicator bank unit type	3 illuminated units
Material	PC (UL94 V-2): globe ABS (UL94HB): tube body Aluminium: tube
Mounting diameter	60 mm
Component name	XVG
Device mounting	Tube mounting with foldable bracket
Light source	LED steady red LED steady green LED steady amber
Light block color	Red/orange/green
Indicator bank base type	Base with integrated buzzer

Complementary

Rated supply voltage	24 V AC/DC
Cable cross section	0.33 mm ²
Discrete output type	PNP and NPN
[Uimp] rated impulse withstand voltage	0.5 kV
Current consumption	180 mA
Noise level	85 dB
Power consumption in W	4.1 W
Fundamental frequency	2.64 kHz
Net weight	0.41 kg

Environment

Product certifications	CE EAC
Ambient air temperature for storage	-35...70 °C

Ambient air temperature for operation	-10...50 °C
IP degree of protection	IP40

Packing Units

Unit Type of Package 1	PCE
Number of Units in Package 1	1
Package 1 Height	8.4 cm
Package 1 Width	13.9 cm
Package 1 Length	54.3 cm
Package 1 Weight	621.0 g
Unit Type of Package 2	S06
Number of Units in Package 2	30
Package 2 Height	73.5 cm
Package 2 Width	60.0 cm
Package 2 Length	80.0 cm
Package 2 Weight	28.0 kg

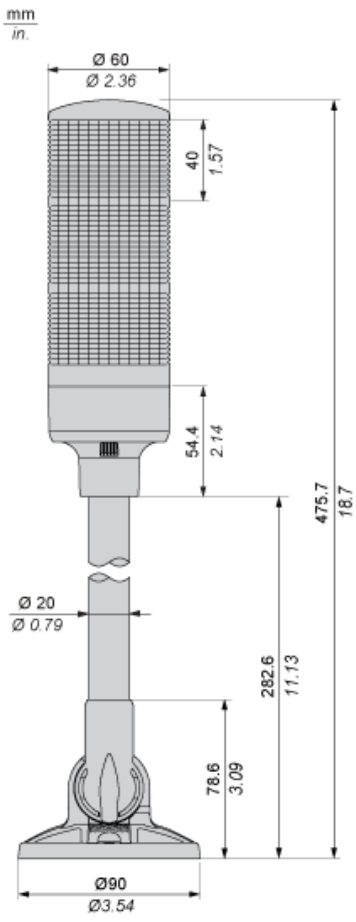
Offer Sustainability

Sustainable offer status	Green Premium product
REACH Regulation	REACH Declaration
REACH free of SVHC	Yes
EU RoHS Directive	Pro-active compliance (Product out of EU RoHS legal scope) EU RoHS Declaration
Mercury free	Yes
China RoHS Regulation	China RoHS declaration
RoHS exemption information	Yes
Environmental Disclosure	Product Environmental Profile
Circularity Profile	End of Life Information

Contractual warranty

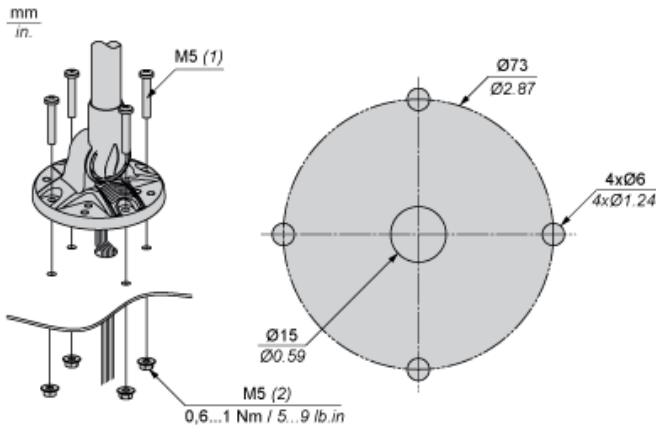
Warranty	18 months
----------	-----------

Dimensions



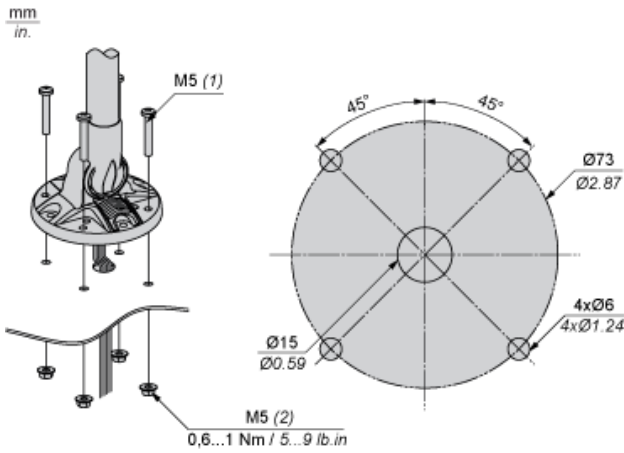
Mounting

Ø73 mm/2.87 in., Standard



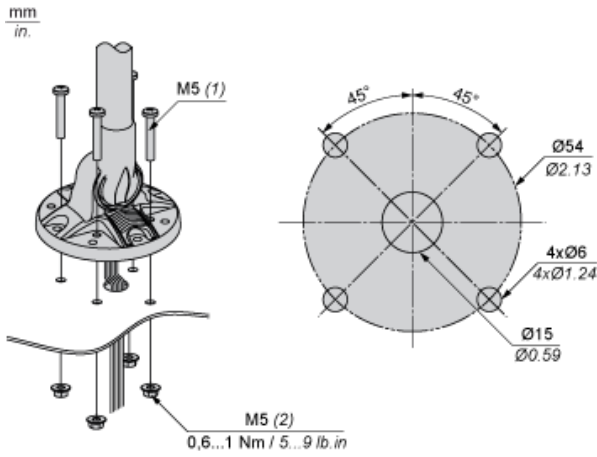
- (1) Thickness + 10 mm/0.39 in.
- (2) Hexagon Nut with flange

Ø73 mm/2.87 in., 45°



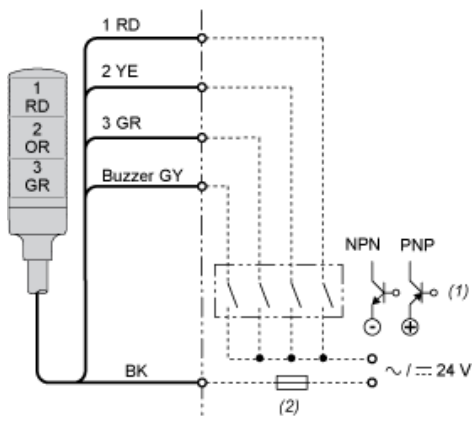
- (1) Thickness + 10 mm/0.39 in.
- (2) Hexagon Nut with flange

Ø54 mm/2.13 in., 45°



- (1) Thickness + 10 mm/0.39 in.
- (2) Hexagon Nut with flange

Wiring



- (1) "ON" for lighting and/or applying continuous sound.
- (2) Fuse (rated current: 0.5 A)
- RD : Red
- YE : Yellow
- GR : Green
- GY : Grey
- OR : Orange
- BK : Black

Recommended replacement(s)