

AI-TWIN 2X 4 -12 GY - Ferrule



3201000

<https://www.phoenixcontact.com/in/products/3201000>

Please be informed that the data shown in this PDF document is generated from our Online Catalog. Please find the complete data in the user documentation. Our General Terms of Use for Downloads are valid.

Ferrule, sleeve length: 12 mm, length: 23 mm, color: gray



Your advantages

- These special ferrules allow chain bridges to be set up with ease
- The TWIN ferrules provide a practical way of crimping two conductors in one ferrule
- Different versions of the individual TWIN ferrules can be selected for specific applications

Commercial Data

Item number	3201000
Packing unit	100 pc
Minimum order quantity	100 pc
Sales Key	BH3
Product Key	BH3413
Catalog Page	Page 486 (C-3-2019)
GTIN	4017918094553
Weight per Piece (including packing)	0.497 g
Weight per Piece (excluding packing)	0.49 g
Customs tariff number	85369010
Country of origin	DE

3201000

<https://www.phoenixcontact.com/in/products/3201000>

Technical Data

Product properties

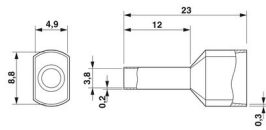
Product type	Cable end sleeve
Conductor category	stranded conductors, class 2, 5, 6 / B, C, K, M

Connection data

Conductor connection

Conductor cross section flexible max.	4 mm ²
Conductor cross section AWG max.	12
Stripping length	17 mm

Dimensions

Dimensional drawing	
Length	23 mm
Sleeve length	12 mm
Maximum stripping length	17 mm
Ferrule diameter	3.8 mm
Sleeve wall thickness	0.2 mm
Insulating collar thickness	0.3 mm
Inner dimensions of the insulating collar	4.9 mm

Material specifications

Color	gray
Material	CU-DHP
Flammability rating according to UL 94	HB
Coating	tin-plated (galvanic)
Components	free from silicone and halogen

Mechanical properties

Technical data

Sleeve length	12 mm
---------------	-------

Environmental and real-life conditions

Ambient conditions

Permanent temperature	105 °C (-40 °C no load / 0 °C dynamic load)
Short-term temperature	120 °C

AI-TWIN 2X 4 -12 GY - Ferrule

3201000

<https://www.phoenixcontact.com/in/products/3201000>



Standards and regulations

Design according to standard

DIN 46228-4, UL 486F-F

AI-TWIN 2X 4 -12 GY - Ferrule

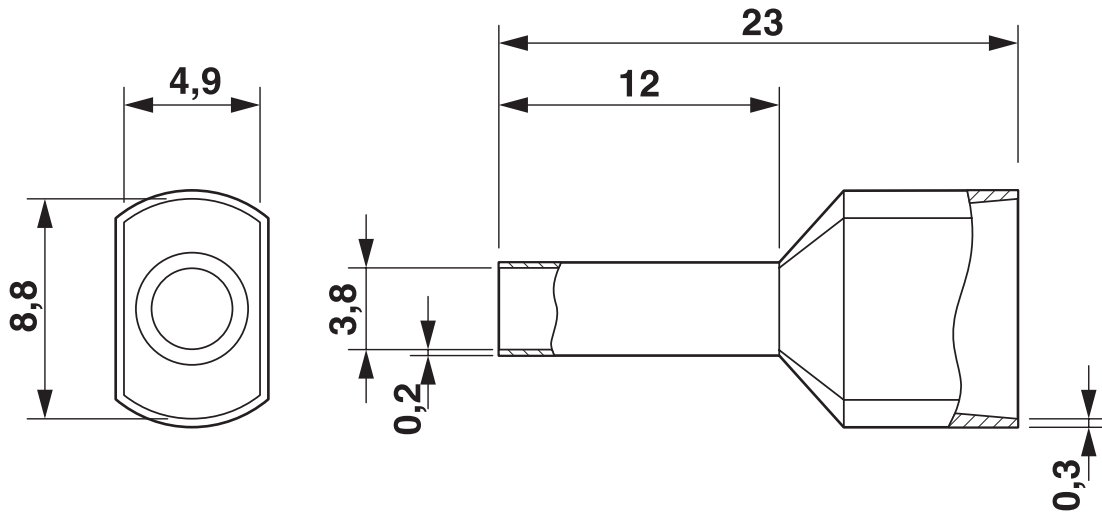


3201000

<https://www.phoenixcontact.com/in/products/3201000>

Drawings

Dimensional drawing



AI-TWIN 2X 4 -12 GY - Ferrule



3201000

<https://www.phoenixcontact.com/in/products/3201000>

Approvals



UL Listed

Approval ID: E488001



cUL Listed

Approval ID: E488001

AI-TWIN 2X 4 -12 GY - Ferrule



3201000

<https://www.phoenixcontact.com/in/products/3201000>

Classifications

ECLASS

ECLASS-11.0	27400201
ECLASS-12.0	27400201
ECLASS-12.0	27400201
ECLASS-12.0	27400201

ETIM

ETIM 8.0	EC000005
----------	----------

UNSPSC

UNSPSC 21.0	27121700
-------------	----------

AI-TWIN 2X 4 -12 GY - Ferrule



3201000

<https://www.phoenixcontact.com/in/products/3201000>

Environmental Product Compliance

China RoHS	Environmentally friendly use period: unlimited = EFUP-e
	No hazardous substances above threshold values

AI-TWIN 2X 4 -12 GY - Ferrule

3201000

<https://www.phoenixcontact.com/in/products/3201000>

Accessories

CRIMPFOX CENTRUS 6S - Crimping pliers

1213144

<https://www.phoenixcontact.com/in/products/1213144>



Crimping pliers, for uninsulated and insulated ferrules, DIN 46228 Part 1 and 4, from 0.14 mm² ... 6 mm², also for TWIN ferrules up to 2 x 4 mm², automatic cross section adjustment, lateral insertion, equipped with fall protection

CRIMPFOX CENTRUS 10S - Crimping pliers

1213154

<https://www.phoenixcontact.com/in/products/1213154>



Crimping pliers, for uninsulated and insulated ferrules, DIN 46228 Part 1 and 4, from 0.14 mm² ... 10 mm², also for TWIN ferrules up to 2 x 4 mm², automatic cross section adjustment, lateral insertion, equipped with fall protection

AI-TWIN 2X 4 -12 GY - Ferrule

3201000

<https://www.phoenixcontact.com/in/products/3201000>

CRIMPFOX CENTRUS 6H - Crimping pliers

1213146

<https://www.phoenixcontact.com/in/products/1213146>



Crimping pliers, for uninsulated and insulated ferrules, DIN 46228 Part 1 and 4, from 0.14 mm² ... 6 mm², also for TWIN ferrules up to 2 x 4 mm², automatic cross section adjustment, lateral insertion, equipped with fall protection

CRIMPFOX CENTRUS 10H - Crimping pliers

1213156

<https://www.phoenixcontact.com/in/products/1213156>



Crimping pliers, for uninsulated and insulated ferrules, DIN 46228 Part 1 and 4, from 0.14 mm² ... 10 mm², also for TWIN ferrules up to 2 x 4 mm², automatic cross section adjustment, lateral insertion, equipped with fall protection

Phoenix Contact 2023 © - all rights reserved
<https://www.phoenixcontact.com>

PHOENIX CONTACT (I) Pvt. Ltd.
A-58/2, Okhla Industrial Area, Phase - II, New Delhi-110 020

+91.1275.71420
info@phoenixcontact.co.in