

UMK-SE 11,25-1 - Lateral element



2970442

<https://www.phoenixcontact.com/in/products/2970442>

Please be informed that the data shown in this PDF document is generated from our Online Catalog. Please find the complete data in the user documentation. Our General Terms of Use for Downloads are valid.

Side element, 11.25 mm wide, without marker groove



Commercial Data

Item number	2970442
Packing unit	50 pc
Minimum order quantity	50 pc
Sales Key	ACH
Product Key	ACHDCA
Catalog Page	Page 760 (C-1-2013)
GTIN	4017918087722
Weight per Piece (including packing)	5.497 g
Weight per Piece (excluding packing)	5.497 g
Customs tariff number	85389099
Country of origin	PL

UMK-SE 11,25-1 - Lateral element

2970442

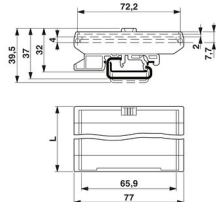
<https://www.phoenixcontact.com/in/products/2970442>

Technical Data

Product properties

Product type	Panel mounting base side part
Product family	UMK SE
Type	Lateral element
Housing type	Press-drawn section housings
Housing series	UMK

Dimensions

Dimensional drawing	
Length	11.25 mm

External dimensions

Profile width (external)	77 mm
--------------------------	-------

Internal dimensions

Profile width (internal)	72.2 mm
--------------------------	---------

Material specifications

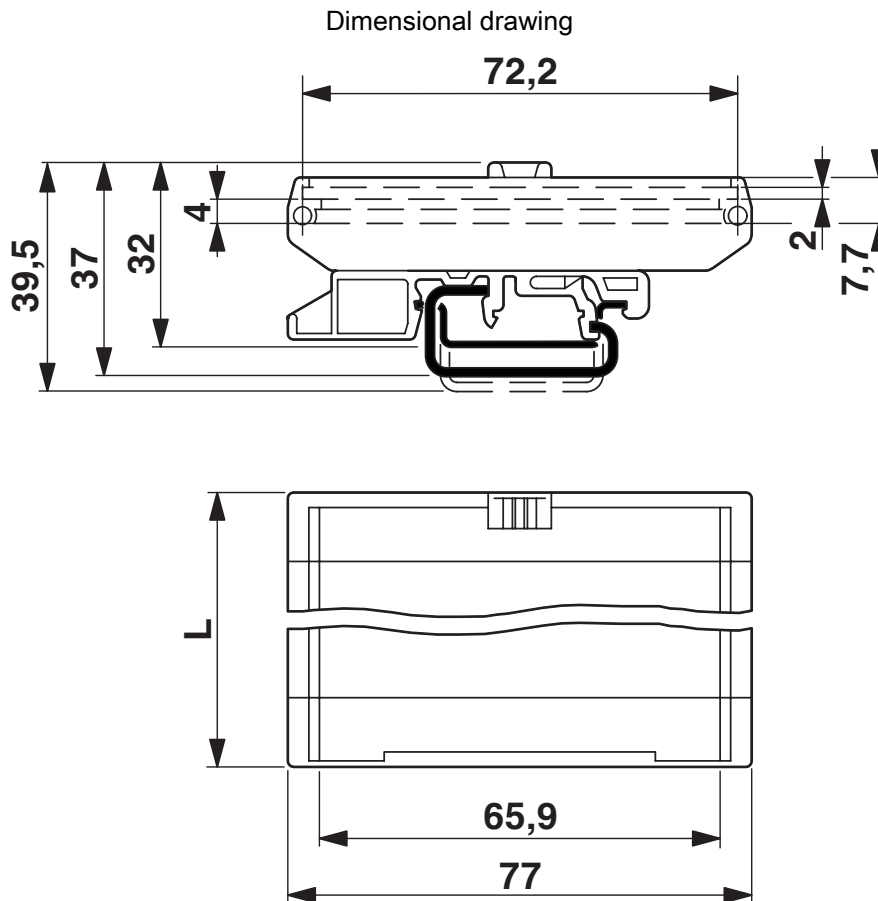
Color	green
Flammability rating according to UL 94	V2
Housing material	Polyamide

UMK-SE 11,25-1 - Lateral element

2970442

<https://www.phoenixcontact.com/in/products/2970442>

Drawings



UMK-SE 11,25-1 - Lateral element



2970442

<https://www.phoenixcontact.com/in/products/2970442>

Approvals



EAC

Approval ID: B.01687



UL Recognized

Approval ID: FILE E 240868

UMK-SE 11,25-1 - Lateral element



2970442

<https://www.phoenixcontact.com/in/products/2970442>

Classifications

ECLASS

ECLASS-11.0

27182701

ETIM

ETIM 8.0

EC002779

UNSPSC

UNSPSC 21.0

31261500

UMK-SE 11,25-1 - Lateral element



2970442

<https://www.phoenixcontact.com/in/products/2970442>

Environmental Product Compliance

China RoHS	Environmentally friendly use period: unlimited = EFUP-e
	No hazardous substances above threshold values

Phoenix Contact 2023 © - all rights reserved
<https://www.phoenixcontact.com>

PHOENIX CONTACT (I) Pvt. Ltd.
A-58/2, Okhla Industrial Area, Phase - II, New Delhi-110 020

+91.1275.71420
info@phoenixcontact.co.in