

Product datasheet

Specifications



Illuminated beacon without buzzer, orange, Ø100, integral LED, 12...24 V DC

XVR3B05

Main

Range of product	Harmony XVR
Product or component type	Beacon
Device short name	XVR3
Beacon or indicator bank unit type	LED unit
Mounting diameter	100 mm
Light source	LED, orange
Device application	Automated guided vehicle (AGV) Bulldozer Forklift

Complementary

Signalling type	Flashing Rotating Blinking
Assembly style	Ready assembled
Material	PC (polycarbonate): lenses PBT (polybutylene terephthalate) + PC (polycarbonate): body EPDM (ethylene propylene diene monomer): base
[Us] rated supply voltage	12...24 V DC
[Ue] rated operational voltage	10...30 V DC
Inrush current	3 A
Power consumption in W	2.8 W
Marking	CE
Installation direction	Upright indoor Sideways indoor Inverted indoor Upright outdoor
Electrical insulation class	Class II
Current consumption	3000 mA
Length	100 mm
Width	100 mm
Height	139 mm
Net weight	0.484 kg

Environment

Ambient air temperature for operation -20...50 °C

Ambient air temperature for storage -35...70 °C

Relative humidity 35...85 % without condensation

Vibration resistance 4.6 gn (sideways)
4.6 gn (inverted)
7.1 gn (upright)

IP degree of protection IP65 (upright)
IP23 (sideways)
IP23 (inverted)

Packing Units

Unit Type of Package 1 PCE

Number of Units in Package 1 1

Package 1 Height 13.5 cm

Package 1 Width 13.85 cm

Package 1 Length 18.5 cm

Package 1 Weight 640.0 g

Unit Type of Package 2 S04

Number of Units in Package 2 8

Package 2 Height 30.0 cm

Package 2 Width 40.0 cm

Package 2 Length 60.0 cm

Package 2 Weight 29.44 kg

Offer Sustainability

REACH Regulation [REACH Declaration](#)

EU RoHS Directive Compliant
[EU RoHS Declaration](#)

Toxic heavy metal free Yes

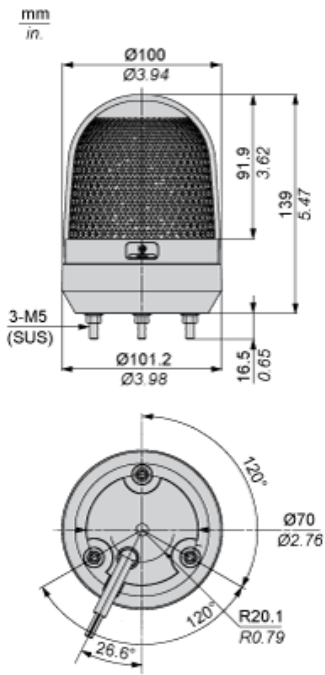
Mercury free Yes

China RoHS Regulation [China RoHS declaration](#)

RoHS exemption information [Yes](#)

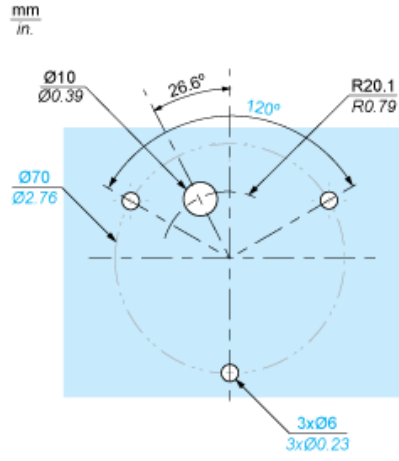
WEEE The product must be disposed on European Union markets following specific waste collection and never end up in rubbish bins

Dimensions

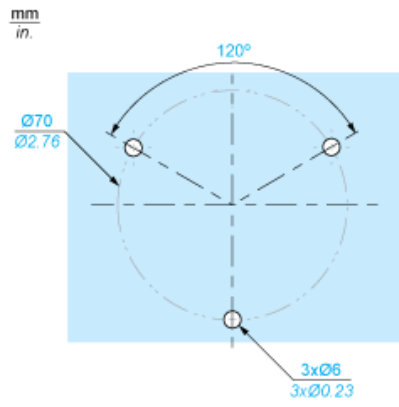


Panel Cut-out

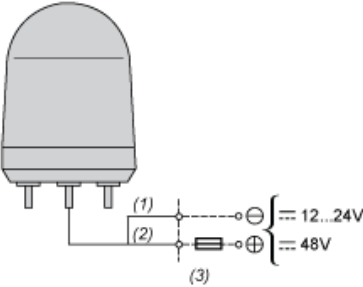
Straight wiring



Side wiring



Wiring Diagram



- (1) Black
- (2) White
- (3) Fuse(Rated Current>2A)

Recommended replacement(s)