

SACC-FR-4CON-PG 7-M SCO - Connector



1543058

<https://www.phoenixcontact.com/in/products/1543058>

Please be informed that the data shown in this PDF document is generated from our Online Catalog. Please find the complete data in the user documentation. Our General Terms of Use for Downloads are valid.

Connector, Universal, 4-position, Socket angled M12 SPEEDCON, A, Screw connection, knurl material: Nickel-plated brass, cable gland Pg7, external cable diameter 4 mm ... 6 mm



Your advantages

- Safe use in the field, thanks to a high degree of protection
- Save time, thanks to installation with SPEEDCON fast locking system
- Screw connection: proven connection technology for a large selection of different conductors

Commercial Data

| | |
|--------------------------------------|--------------------|
| Item number | 1543058 |
| Packing unit | 1 pc |
| Minimum order quantity | 1 pc |
| Sales Key | BF2 |
| Product Key | BF2CAA |
| Catalog Page | Page 20 (C-2-2017) |
| GTIN | 4046356097581 |
| Weight per Piece (including packing) | 26.33 g |
| Weight per Piece (excluding packing) | 20.32 g |
| Customs tariff number | 85366990 |
| Country of origin | DE |

SACC-FR-4CON-PG 7-M SCO - Connector



1543058

<https://www.phoenixcontact.com/in/products/1543058>

Technical Data

Notes

Assembly instruction:

NOTE: Observe the permissible bending radii when laying conductors, since the degree of protection may be put in jeopardy if the bending forces are too high. Alleviate mechanical loads upstream of the connector, e.g. by using cable ties.

Mounting

Assembly instructions

The connector pin assignment can be rotated 90° to the cable outlet

Product properties

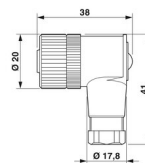
| | |
|----------------------|---------------------------------|
| Product type | Circular connector (cable-side) |
| Number of positions | 4 |
| No. of cable outlets | 1 |
| Shielded | no |
| Coding | A |
| Cable outlet | angled |
| Pg screw connection | Pg7 |

Insulation characteristics

| | |
|----------------------|----|
| Overvoltage category | II |
| Degree of pollution | 3 |

Dimensions

Dimensional drawing



Length

35 mm

External dimensions

| | |
|------------------|---------------|
| Outside diameter | 4 mm ... 6 mm |
|------------------|---------------|

Housing

| | |
|------------------|-------|
| Diameter housing | 20 mm |
|------------------|-------|

Material specifications

| | |
|--|--------|
| Flammability rating according to UL 94 | HB |
| Seal material | NBR |
| Material of grip body | PBT |
| Contact material | CuZn |
| Contact surface material | CuSnZn |

SACC-FR-4CON-PG 7-M SCO - Connector



1543058

<https://www.phoenixcontact.com/in/products/1543058>

| | |
|-------------------------------|---------------------|
| Contact carrier material | PA |
| Material for screw connection | Nickel-plated brass |

Connection data

Conductor connection

| | |
|---|---|
| Connection method | Screw connection |
| Connection cross section | 0.25 mm ² ... 0.75 mm ² (without ferrule) |
| | 0.14 mm ² ... 0.75 mm ² (with ferrule) |
| | 0.25 mm ² ... 0.75 mm ² (solid) |
| Connection cross section AWG | 24 ... 18 (without ferrule) |
| | 26 ... 20 (with ferrule) |
| Stripping length of the individual wire | 5 mm |
| Tightening torque | 0.4 Nm (M12 knurl) |
| | 0.2 Nm (Screw terminal blocks) |
| | 0.8 Nm ... 1 Nm (Pressure screw with sleeve housing) |

Electrical properties

| | |
|--------------------------------|----------|
| Rated surge voltage | 2.5 kV |
| Contact resistance | ≤ 8 mΩ |
| Insulation resistance | ≥ 100 MΩ |
| Nominal voltage U _N | 250 V AC |
| | 250 V DC |
| Nominal current I _N | 4 A |

Mechanical properties

Mechanical data

| | |
|-----------------------------|-------|
| Insertion/withdrawal cycles | ≥ 100 |
|-----------------------------|-------|

Connector

Connection 1

| | |
|-------------------|----------|
| Head design | Socket |
| Head cable outlet | angled |
| Head thread type | M12 |
| Head locking type | SPEEDCON |
| Coding | A |

Cable/line

| | |
|---|-----------|
| Signal type/category | Universal |
| Stripping length of the individual wire | 5 mm |

Environmental and real-life conditions

Ambient conditions

| | |
|----------------------|------|
| Degree of protection | IP67 |
|----------------------|------|

SACC-FR-4CON-PG 7-M SCO - Connector



1543058

<https://www.phoenixcontact.com/in/products/1543058>

| | |
|---------------------------------|----------------------------------|
| Ambient temperature (operation) | -40 °C ... 85 °C (Plug / socket) |
|---------------------------------|----------------------------------|

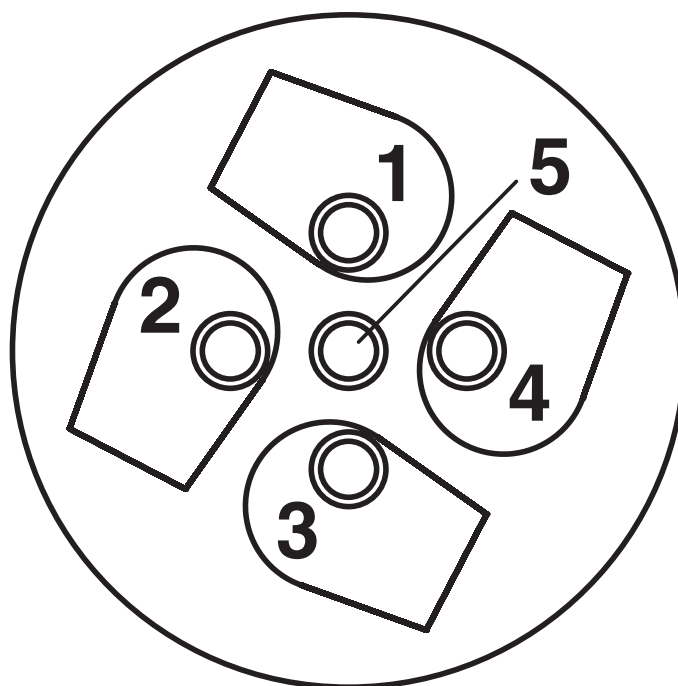
Standards and regulations

M12

| | |
|--------------------------|-----------------|
| Standards/specifications | IEC 61076-2-101 |
|--------------------------|-----------------|

Drawings

Schematic diagram

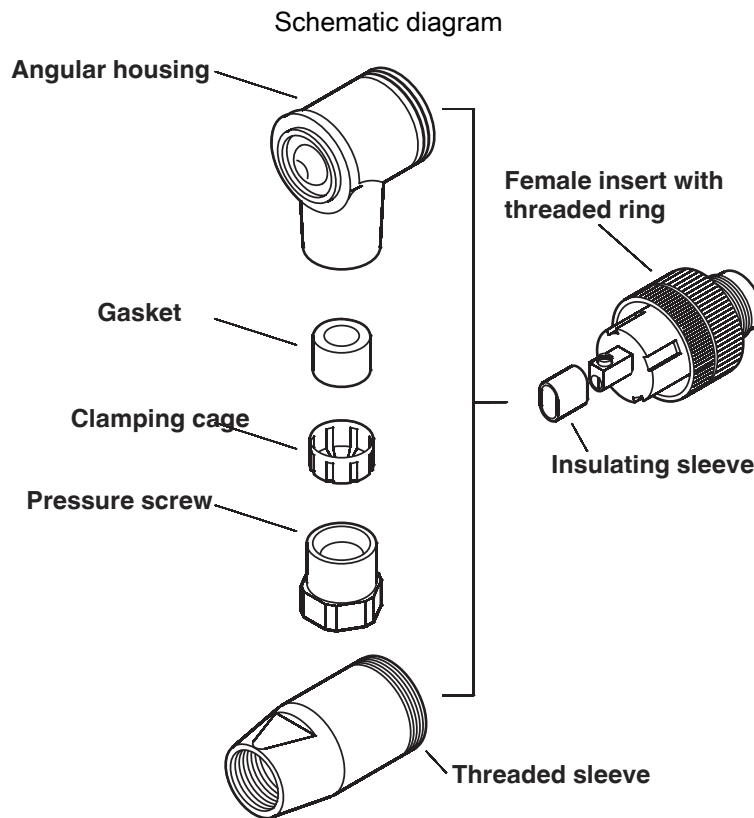


Cable connection side M12 (screw connection)

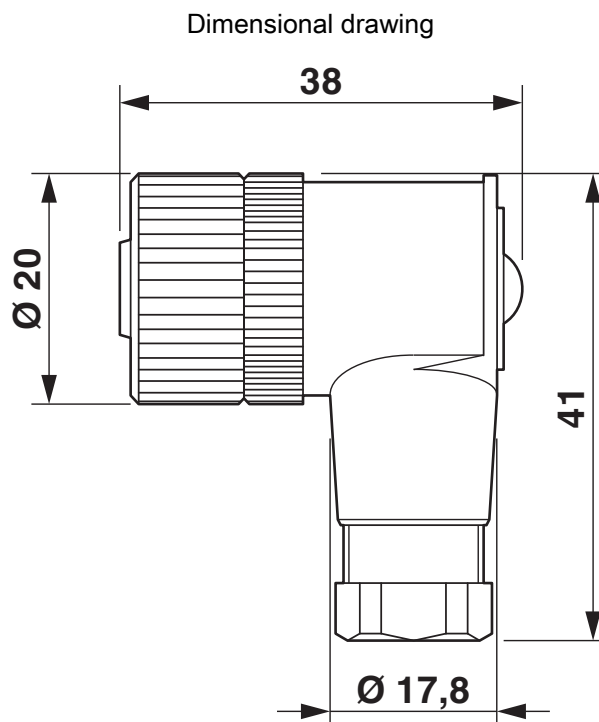
SACC-FR-4CON-PG 7-M SCO - Connector

1543058

<https://www.phoenixcontact.com/in/products/1543058>



Male/Female M12

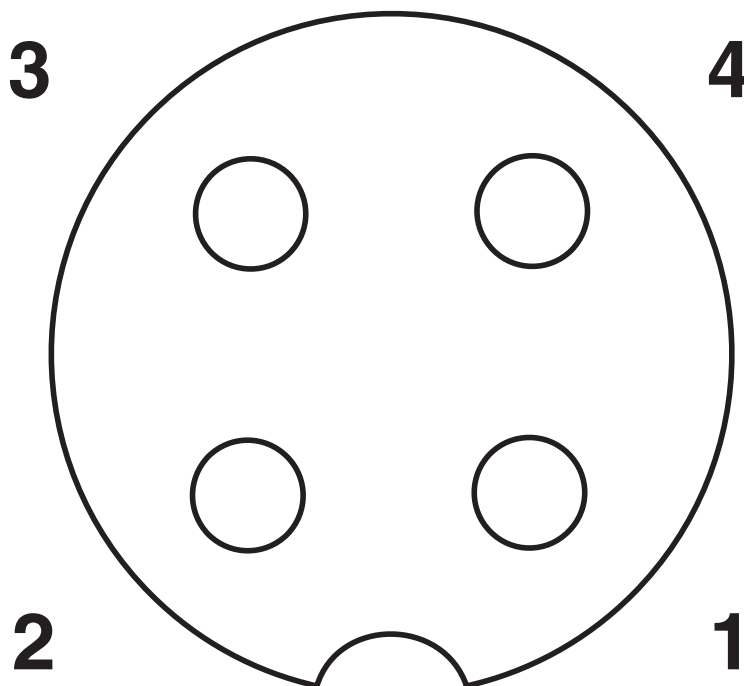


M12 x 1 socket, angled

1543058

<https://www.phoenixcontact.com/in/products/1543058>

Schematic diagram



Pin assignment M12 socket, 4-pos., A-coded, view female side

SACC-FR-4CON-PG 7-M SCO - Connector



1543058

<https://www.phoenixcontact.com/in/products/1543058>

Approvals



EAC

Approval ID: RU C-DE.BL08.B.00511

SACC-FR-4CON-PG 7-M SCO - Connector



1543058

<https://www.phoenixcontact.com/in/products/1543058>

Classifications

ECLASS

| | |
|-------------|----------|
| ECLASS-11.0 | 27440102 |
| ECLASS-12.0 | 27440116 |
| ECLASS-13.0 | 27440116 |

ETIM

| | |
|----------|----------|
| ETIM 8.0 | EC002635 |
|----------|----------|

UNSPSC

| | |
|-------------|----------|
| UNSPSC 21.0 | 39121400 |
|-------------|----------|

SACC-FR-4CON-PG 7-M SCO - Connector



1543058

<https://www.phoenixcontact.com/in/products/1543058>

Environmental Product Compliance

| | |
|------------|--|
| REACH SVHC | Lead 7439-92-1 |
| China RoHS | Environmentally Friendly Use Period = 50 years |
| | For information on hazardous substances, refer to the manufacturer's declaration available under "Downloads" |

SACC-FR-4CON-PG 7-M SCO - Connector

1543058

<https://www.phoenixcontact.com/in/products/1543058>



Accessories

SACC-M12-SET/2,5-3,5 - Connector

1436505

<https://www.phoenixcontact.com/in/products/1436505>



Sensor/actuator connector, accessories, pressure screw and Pg7 seal, for unshielded M12 connector, cable diameter 2.5 mm - 3.5 mm

TSD 04 SAC - Torque screwdriver

1208429

<https://www.phoenixcontact.com/in/products/1208429>



Torque screwdriver, with preset torque of 0.4 Nm and 4 mm hexagonal drive for M12 connectors

SACC-FR-4CON-PG 7-M SCO - Connector

1543058

<https://www.phoenixcontact.com/in/products/1543058>

TSD-M 1,2NM - Torque screwdriver

1212224

<https://www.phoenixcontact.com/in/products/1212224>



Torque screw driver, accuracy as per EN ISO 6789 standard, adjustable from 0.3 - 1.2 Nm

TSD-M SAC-BIT ADAPTER - Adapter insert

1212600

<https://www.phoenixcontact.com/in/products/1212600>



Adapter bit for TSD-M...torque tools, E6.3-1/4" drive with 4 mm hexagon to accommodate SAC bits

SACC-FR-4CON-PG 7-M SCO - Connector

1543058

<https://www.phoenixcontact.com/in/products/1543058>

SACC BIT M12-D20 - Tool

1208445

<https://www.phoenixcontact.com/in/products/1208445>

Nut for assembling M12 connectors for assembly with a knurl diameter of 20 mm, for 4 mm hexagonal drive



PROT-M12 MS-PA-CHAIN - Screw plug

1430899

<https://www.phoenixcontact.com/in/products/1430899>

M12 sealing cap with fixing band, for sensor cables, for free M12 sockets



SACC-FR-4CON-PG 7-M SCO - Connector

1543058

<https://www.phoenixcontact.com/in/products/1543058>

SAC-4P-100,0-PUR/0,25 - Cable reel

1501692

<https://www.phoenixcontact.com/in/products/1501692>



By the meter, Cable reel, PUR halogen-free, black-gray RAL 7021, 4-wire, color single wire: brown, white, blue, black, cable length: 100 m

SAC-4P-100,0-PUR/0,34 - Cable reel

1501663

<https://www.phoenixcontact.com/in/products/1501663>



By the meter, Cable reel, PUR halogen-free, black-gray RAL 7021, 4-wire, color single wire: brown, white, blue, black, cable length: 100 m

SACC-FR-4CON-PG 7-M SCO - Connector



1543058

<https://www.phoenixcontact.com/in/products/1543058>

SAC-4P-100,0-186/0,75 - Cable reel

1457461

<https://www.phoenixcontact.com/in/products/1457461>



By the meter, Cable reel, PUR, black-gray RAL 7021, 4-wire, color single wire: brown, white, blue, black, cable length: 100 m

A 0,25- 5 - Ferrule

3202465

<https://www.phoenixcontact.com/in/products/3202465>



Ferrule, length: 5 mm, color: silver

SACC-FR-4CON-PG 7-M SCO - Connector



1543058

<https://www.phoenixcontact.com/in/products/1543058>

CRIMPFOX 6H - Crimping pliers

1212046

<https://www.phoenixcontact.com/in/products/1212046>



Crimping pliers, for ferrules without insulating collar according to DIN 46228 Part 1 and ferrules with insulating collar according to DIN 46228 Part 4, 0.14 mm² ... 6 mm², unlockable pressure lock, lateral entry

Phoenix Contact 2023 © - all rights reserved

<https://www.phoenixcontact.com>

PHOENIX CONTACT (I) Pvt. Ltd.

A-58/2, Okhla Industrial Area, Phase - II, New Delhi-110 020

+91.1275.71420

info@phoenixcontact.co.in