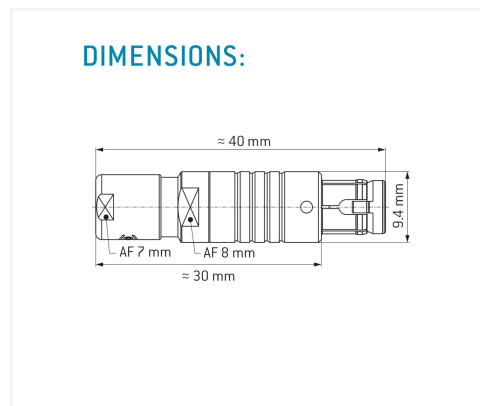
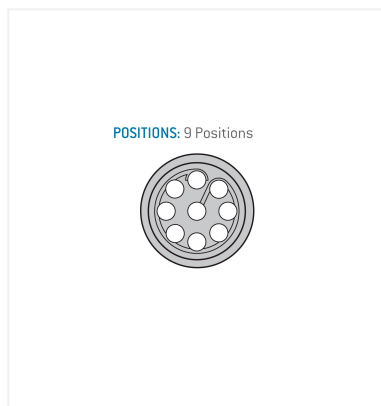
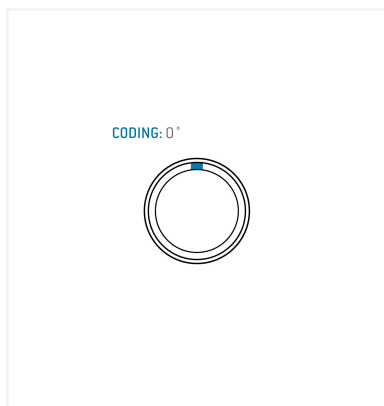


S30B0C-P09MCC0-3500  
**series\_b, type\_s3**



**General information**

Part number	S30B0C-P09MCC0-3500
Termination	solder
Size	0
Locking principle	push
Keying	0_key
Cable Diameter	cable_mini_35
Cable outlet	standard



**Contact insert description**

Number of contacts	9
Contact type	pins
Contact diameter	05mm
Insulator material	peek
Wire cross section	28_awg
Termination	solder
Termination diameter	04mm

reverse\_gender\_on\_request

**Technical information**

Max. creepage and air clearance distance	04_mm	08_mm
Nominal current single contact	04_a	iec_60512_5_2
Nominal current insert	2,6 A	vde_0298_4
Test voltage	06_kv_ac	sae_13441

safety\_text

**Mechanical and environmental data**

Degree of protection*	ip68
Operating temperature	40_120_c
Mating cycles	5000

mated

**Material and surface treatments**

Housing	m_chrome
Contact	cu_alloy_gold

safety\_text\_2  
ul\_text  
illustrative\_text