

# HC-B 06-TFL-N-M1PG13.5G - Housing



1460338

<https://www.phoenixcontact.com/in/products/1460338>

Please be informed that the data shown in this PDF document is generated from our Online Catalog. Please find the complete data in the user documentation. Our General Terms of Use for Downloads are valid.



HEAVYCON B6 sleeve housing, for single locking latch, height: 56 mm, with screw connection, 1 x Pg13.5 gland, straight cable outlet

## Commercial Data

Item number	1460338
Packing unit	10 pc
Minimum order quantity	10 pc
Note	Made to Order (non-returnable)
Sales Key	BF7
Product Key	BF7AAC
GTIN	4046356794824
Weight per Piece (including packing)	148.19 g
Weight per Piece (excluding packing)	142.63 g
Customs tariff number	85389099
Country of origin	DE

# HC-B 06-TFL-N-M1PG13.5G - Housing

1460338

<https://www.phoenixcontact.com/in/products/1460338>

## Technical Data

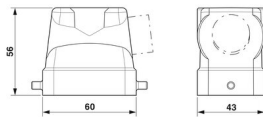
### Notes

General	For contact inserts HC-B6, BB10, DD24, M
---------	--

### Product properties

Type	B6
Product type	Housing with locking latch
Application	Standard
No. of cable outlets	1
Type of the screw connection	Pg13.5
Housing type	Sleeve housing
Locking type	for single locking latch
Cable outlet	straight
Pg screw connection	with

### Dimensions

Dimensional drawing	
Width	43 mm
Height	56 mm
Length	60 mm
Wrench size, union nut	20 mm

### Material specifications

Housing surface material	Powder-coated, gray
Housing material	die-cast aluminum

### Mechanical properties

#### Mechanical data

Type of the screw connection	Pg13.5
------------------------------	--------

### Environmental and real-life conditions

#### Ambient conditions

Degree of protection	IP65
Ambient temperature (operation)	-40 °C ... 125 °C

# HC-B 06-TFL-N-M1PG13.5G - Housing

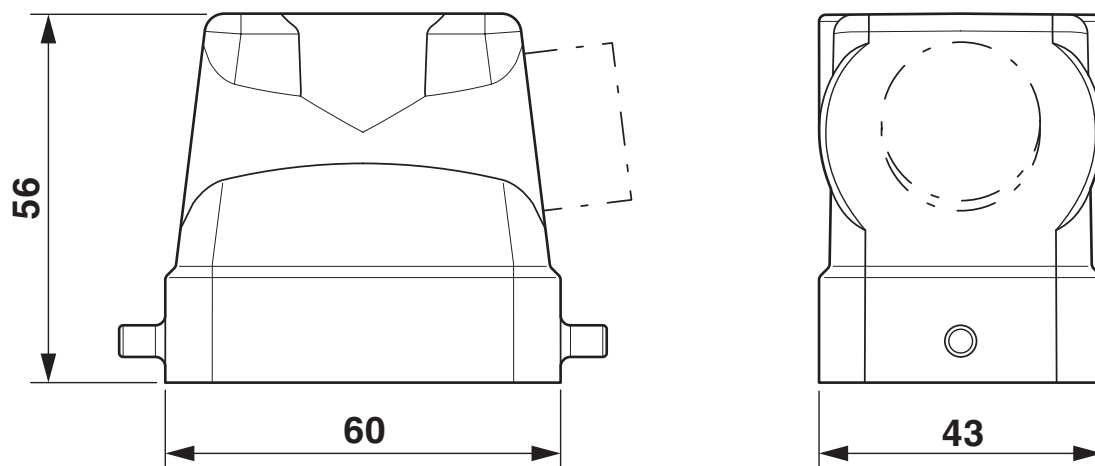


1460338

<https://www.phoenixcontact.com/in/products/1460338>

## Drawings

Dimensional drawing



Dimensional drawing

# HC-B 06-TFL-N-M1PG13.5G - Housing



1460338

<https://www.phoenixcontact.com/in/products/1460338>

## Classifications

### ECLASS

ECLASS-11.0

27440202

### ETIM

ETIM 7.0

EC000437

### UNSPSC

UNSPSC 21.0

31261501

# HC-B 06-TFL-N-M1PG13.5G - Housing



1460338

<https://www.phoenixcontact.com/in/products/1460338>

## Environmental Product Compliance

China RoHS	Environmentally friendly use period: unlimited = EFUP-e
	No hazardous substances above threshold values

Phoenix Contact 2023 © - all rights reserved  
<https://www.phoenixcontact.com>

PHOENIX CONTACT (I) Pvt. Ltd.  
A-58/2, Okhla Industrial Area, Phase - II, New Delhi-110 020

+91.1275.71420  
[info@phoenixcontact.co.in](mailto:info@phoenixcontact.co.in)