

AP 3-TU - Cover profile carrier

5022656

<https://www.phoenixcontact.com/in/products/5022656>

Please be informed that the data shown in this PDF document is generated from our Online Catalog. Please find the complete data in the user documentation. Our General Terms of Use for Downloads are valid.



Cover profile carrier for mounting on NS 32 or NS 35/7.5 DIN rail for attaching the cover profile AP 3.2 mm thick

Your advantages

- Large-surface labeling with AP-ES insert strips
- Cover profiles provide protection against unauthorized actuation of terminal strips

Commercial Data

Item number	5022656
Packing unit	50 pc
Minimum order quantity	50 pc
Sales Key	BE6
Product Key	BE61ZX
Catalog Page	Page 548 (C-3-2019)
GTIN	4017918095253
Weight per Piece (including packing)	10.864 g
Weight per Piece (excluding packing)	10 g
Customs tariff number	85389099
Country of origin	DE

AP 3-TU - Cover profile carrier

5022656

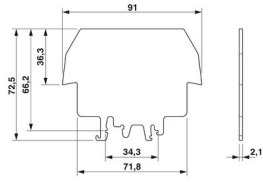
<https://www.phoenixcontact.com/in/products/5022656>

Technical Data

Product properties

Product type	Cover profile carrier
--------------	-----------------------

Dimensions

Dimensional drawing	
Width	2.1 mm
Height	80 mm
Length	89 mm
Material strength	2.00 mm

Material specifications

Color	gray
Material	PA
Flammability rating according to UL 94	V2

Environmental and real-life conditions

Ambient conditions

Ambient temperature (operation)	-60 °C ... 105 °C (max. short-term operating temperature RTI Elec.)
Ambient temperature (storage/transport)	-25 °C ... 60 °C (for a short time, not exceeding 24 h, -60 °C to +70 °C)
Ambient temperature (assembly)	-5 °C ... 70 °C
Ambient temperature (actuation)	-5 °C ... 70 °C
Permissible humidity (storage/transport)	30 % ... 70 %

AP 3-TU - Cover profile carrier

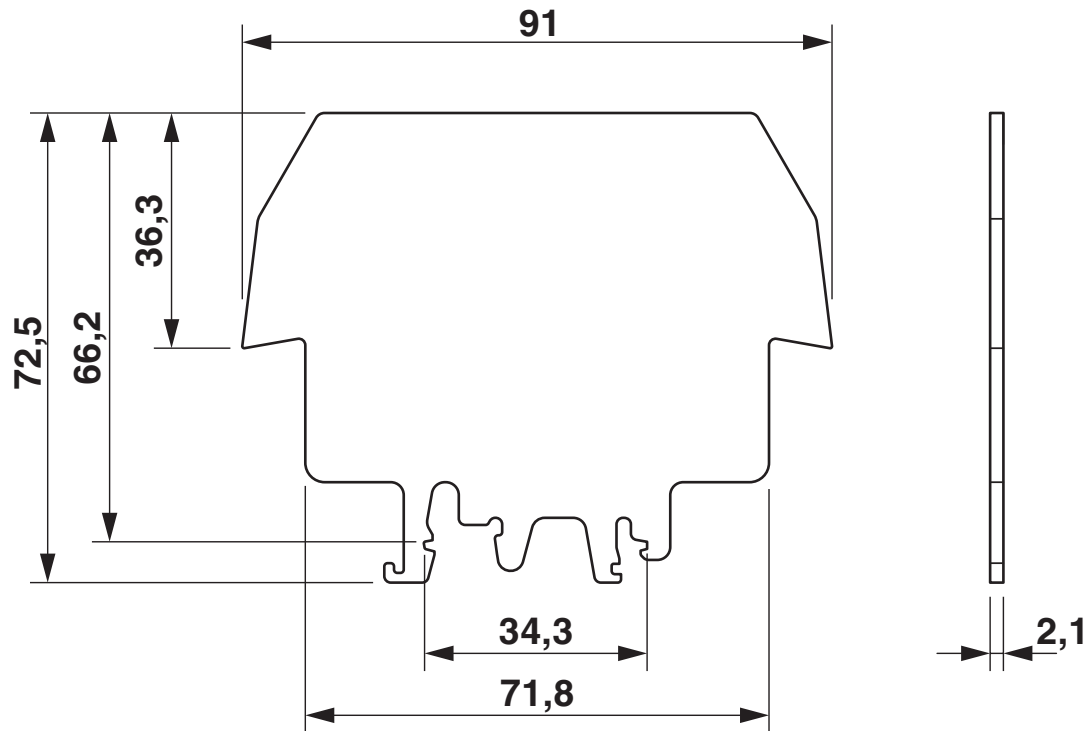
5022656

<https://www.phoenixcontact.com/in/products/5022656>



Drawings

Dimensional drawing



AP 3-TU - Cover profile carrier



5022656

<https://www.phoenixcontact.com/in/products/5022656>

Classifications

ECLASS

ECLASS-11.0	27141190
ECLASS-13.0	27141190
ECLASS-13.0	27141190

ETIM

ETIM 8.0	EC002848
----------	----------

UNSPSC

UNSPSC 21.0	39121400
-------------	----------

AP 3-TU - Cover profile carrier

5022656

<https://www.phoenixcontact.com/in/products/5022656>

Accessories

AP 3 METER - Cover profile

5022643

<https://www.phoenixcontact.com/in/products/5022643>



Cover profile, for covering terminal strips, snaps onto cover profile carrier AP 3-TU, AP 3-TNS 35, can be marked with insert strip AP-ES. Cover profile carriers should be placed at the ends and at intervals of approx. 40 cm. Length: 1 m

AP 3 CM - Cover profile

5022876

<https://www.phoenixcontact.com/in/products/5022876>



Cover profile for covering terminal strips, snaps onto AP 3-TU, AP 3-TNS 35 cover profile carriers, can be labeled with AP-ES insert strip. A cover profile carrier is to be positioned at the ends and at intervals of around approx. 40 cm. Supply length: As per customer order

Phoenix Contact 2023 © - all rights reserved

<https://www.phoenixcontact.com>

PHOENIX CONTACT (I) Pvt. Ltd.

A-58/2, Okhla Industrial Area, Phase - II, New Delhi-110 020

+91.1275.71420

info@phoenixcontact.co.in