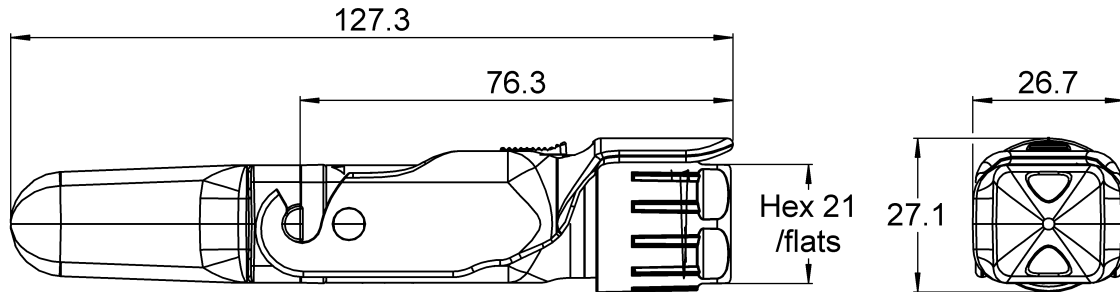
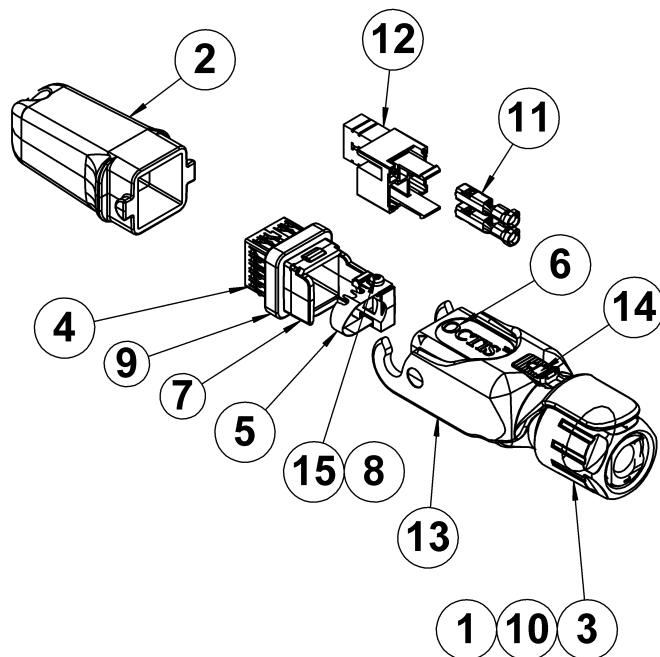
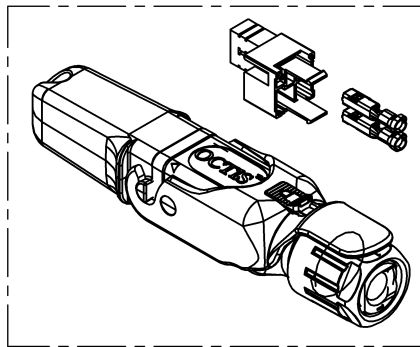


PAGE 1/2	ISSUE 23-11-17A	SERIES OCTIS	PART NUMBER OCTI317500
----------	-----------------	--------------	------------------------



Packing configuration



All dimensions are in mm. Tolerances according ISO 2768 m-H

DESCRIPTION

REP	COMPONENT	MATERIALS	PLATING
1	Tightening cone	NYLON	-
2	Plug cap	PBT GF	-
3	Gland nut	PBT GF	ORANGE COLOR
4	Grounding ring	STAINLESS STEEL	-
5	Tightening strap	STAINLESS STEEL	-
6	Housing	PBT GF	-
7	Holder	ZAMAK	PASSIVATED
8	Nut	STEEL	-
9	Interface sealing gasket	SILICONE	-
10	rubber gland Ø8	SILICONE	-
11	Power contact	COPPER ALLOY	SN
12	Combo housing	PLASTIC	-
13	Lever	IXEF	-
14	Locking button	PBT GF	-
15	Pozidrive screw M2x12	STEEL	-

PAGE 2/2	ISSUE 23-11-17A	SERIES OCTIS	PART NUMBER OCTI317500
----------	-----------------	--------------	------------------------

GENERAL CHARACTERISTICS

Mechanical Mating endurance (cycles) Axial Tensile load (N min) Vibration Recom. coupling torque (N.cm) Weight (g)	IEC 61300-2-2 IEC 61300-2-4 IEC 61300-2-1 - -	100 150 - 200 min. / 250 max. 60.407
Electrical Working voltage Current rating Insulation resistance	- - - -	Max. 300 AC or DC* 16A with AWG16 wire (7xAWG24)* 20A with AWG14 wire (7xAWG22)* -
Environmental Protection class (mated condition) Operating temperature (°C) Storage temperature (°C) Humidity (damp heat) (%RH) Salt Mist RoHS Flammability UVB Resist	IEC 60529 IEC 61300-2-22 IEC 61300-2-22 IEC 61300-2-19 IEC 61300-2-26 (ISO21207 method B) - UL 94 ASTM G154	IP67 (**) -40 / +85 -40 / +85 5 / 95 720h (To be tested) (**) Compliant V0 Compliant
Others: Cable Packaging	- -	For use with OCTI POWER panel interface or receptacle AWG16 to AWG14 stranded wire Outer jacket diameter 6.8 min, 7.8 max For other cable diameter, contact us Unitary in plastic bag with assembly note

(*) To be confirmed at qualification

(**) Mated condition