

SACC-CIP-M12FSD-4P SMD R32 - Flush-type connector



1411991

<https://www.phoenixcontact.com/in/products/1411991>

Please be informed that the data shown in this PDF document is generated from our Online Catalog. Please find the complete data in the user documentation. Our General Terms of Use for Downloads are valid.



Flush-type connector, 4-position, Socket, straight, M12, coding: D , PCB mounting, SMD, Alternative product in accordance with RoHS II without Exemption 6c (Pb <0.1%) item no.: 1308201

Your advantages

- Reduced mounting costs thanks to two-piece device connector
- Packaging available for automated pick and place assembly
- All common pin assignments and codings available
- Easy device integration thanks to mechanical port screw connections with threaded attachment, press-in contour or direct integration in the front plate
- Optional shield connection and seal for the device when not plugged in

Commercial Data

Item number	1411991
Packing unit	100 pc
Minimum order quantity	100 pc
Sales Key	ABQ
Product Key	ABQCBK
GTIN	4046356992220
Weight per Piece (including packing)	5.593 g
Weight per Piece (excluding packing)	5.41 g
Customs tariff number	85366990
Country of origin	DE

SACC-CIP-M12FSD-4P SMD R32 - Flush-type connector



1411991

<https://www.phoenixcontact.com/in/products/1411991>

Technical Data

Notes

Notes on operation	The electrical and mechanical data specified assume that the connector pair is correctly locked and mounted. If the connector is unlocked and if there is a danger of contamination, the connector must be sealed using a protective cap > IP54. Influences arising from litz wires, cables or PCB assembly must also be taken into consideration.
--------------------	--

Product properties

Product type	Contact insert
Number of positions	4
Coding	D

Insulation characteristics

Overvoltage category	II
Degree of pollution	3

Electrical properties

Rated surge voltage	2.5 kV
Contact resistance	$\leq 3 \text{ m}\Omega$
Insulation resistance	$\geq 100 \text{ M}\Omega$
Nominal voltage U_N	250 V
Nominal current I_N	4 A

Material specifications

Flammability rating according to UL 94	V0
Seal material	FKM
Contact material	CuZn
Contact surface material	Au
Contact carrier material	PA

Connector

Connection 1

Head design	Socket
Head cable outlet	straight
Head thread type	M12
Coding	D

Mechanical properties

Mechanical data

Insertion/withdrawal cycles	> 100
-----------------------------	-------

Environmental and real-life conditions

SACC-CIP-M12FSD-4P SMD R32 - Flush-type connector



1411991

<https://www.phoenixcontact.com/in/products/1411991>

Ambient conditions

Degree of protection (when plugged in)	IP67 (correctly plugged in and locked)
Degree of protection	IP67
Ambient temperature (operation)	-25 °C ... 105 °C (Plug / socket)
	-40 °C ... 105 °C (without mechanical actuation)

Standards and regulations

M12

Standards/specifications	IEC 61076-2-101
--------------------------	-----------------

Mounting

Mounting type	PCB mounting
---------------	--------------

Packaging specifications

Type of packaging	Belt
-------------------	------

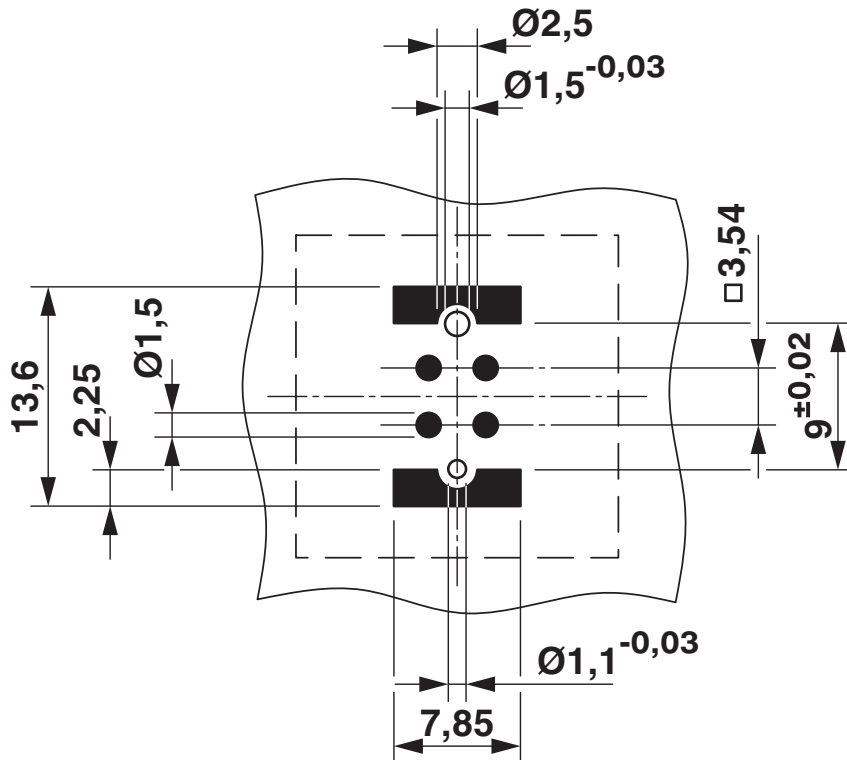
SACC-CIP-M12FSD-4P SMD R32 - Flush-type connector

1411991

<https://www.phoenixcontact.com/in/products/1411991>

Drawings

Drilling plan/solder pad geometry



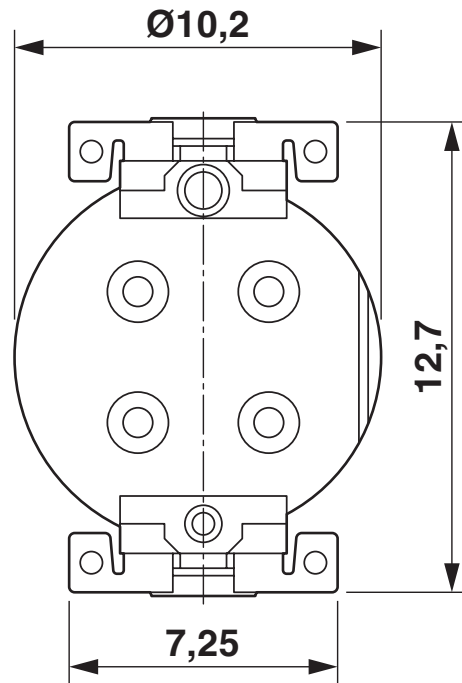
Soldering pad geometry

SACC-CIP-M12FSD-4P SMD R32 - Flush-type connector

1411991

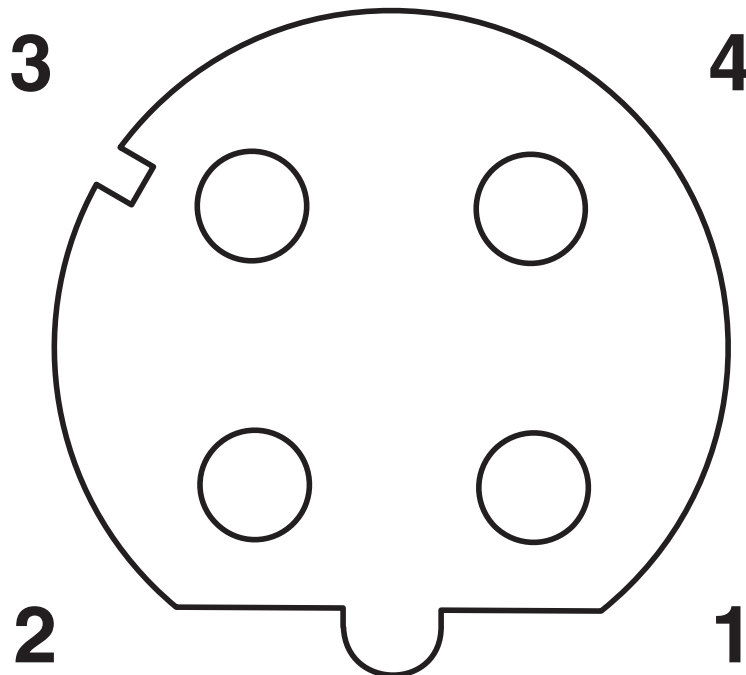
<https://www.phoenixcontact.com/in/products/1411991>

Dimensional drawing



View of solder side

Schematic diagram



Pin assignment M12 socket, 4-pos., D-coded, female side

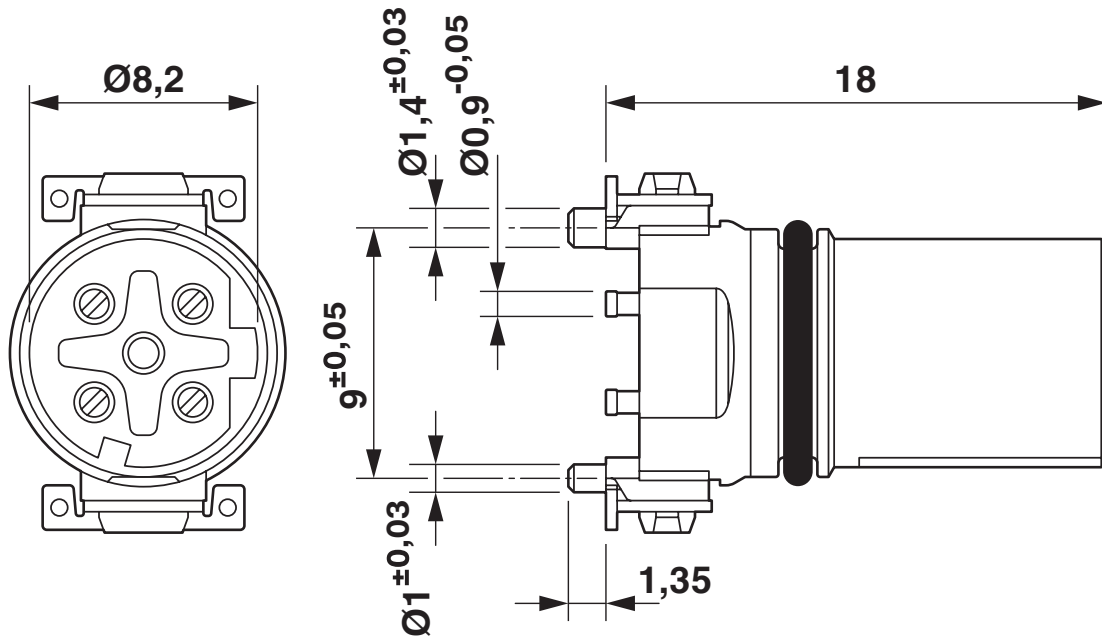
SACC-CIP-M12FSD-4P SMD R32 - Flush-type connector



1411991

<https://www.phoenixcontact.com/in/products/1411991>

Dimensional drawing



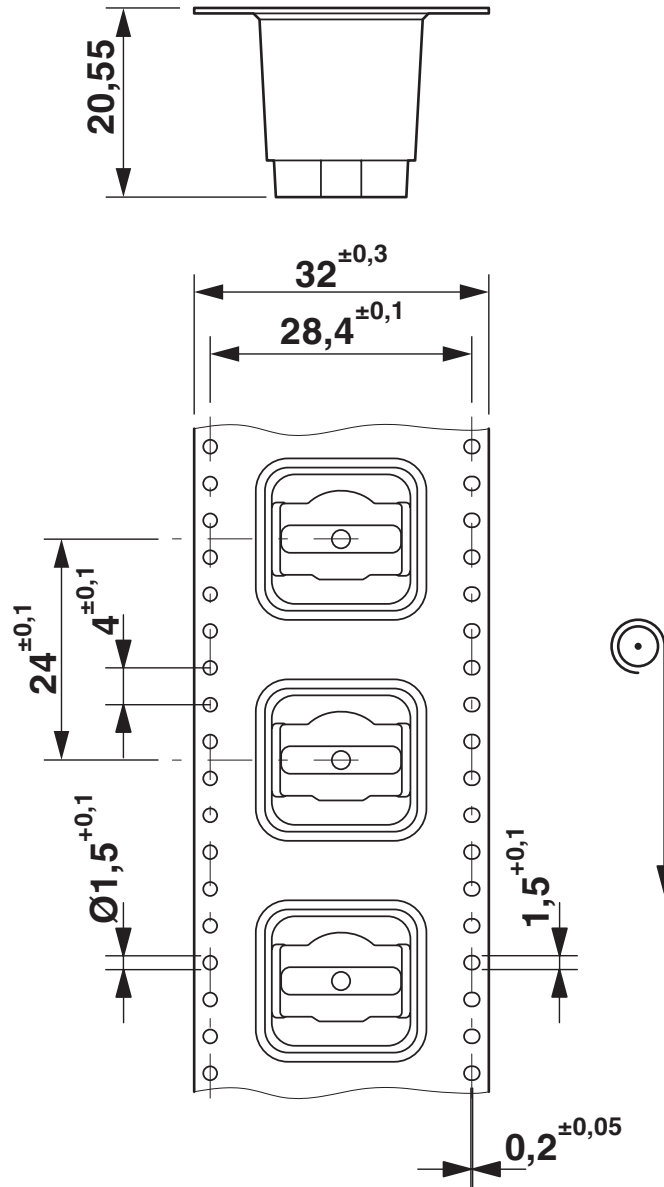
Dimensional drawing

SACC-CIP-M12FSD-4P SMD R32 - Flush-type connector

1411991

<https://www.phoenixcontact.com/in/products/1411991>

Dimensional drawing



SMD tape-on-reel packing

SACC-CIP-M12FSD-4P SMD R32 - Flush-type connector



1411991

<https://www.phoenixcontact.com/in/products/1411991>

Approvals



EAC

Approval ID: B.01687



cULus Recognized

Approval ID: E221474-20200713

	Nominal Voltage U_N	Nominal Current I_N	Cross Section AWG	Cross Section mm^2
	250 V	4 A	-	-

SACC-CIP-M12FSD-4P SMD R32 - Flush-type connector



1411991

<https://www.phoenixcontact.com/in/products/1411991>

Classifications

ECLASS

ECLASS-11.0	27440102
ECLASS-12.0	27440116
ECLASS-13.0	27440116

ETIM

ETIM 8.0	EC002635
----------	----------

UNSPSC

UNSPSC 21.0	39121400
-------------	----------

SACC-CIP-M12FSD-4P SMD R32 - Flush-type connector



1411991

<https://www.phoenixcontact.com/in/products/1411991>

Environmental Product Compliance

REACH SVHC	Lead 7439-92-1
China RoHS	Environmentally Friendly Use Period = 50 years
	For information on hazardous substances, refer to the manufacturer's declaration available under "Downloads"

SACC-CIP-M12FSD-4P SMD R32 - Flush-type connector



1411991

<https://www.phoenixcontact.com/in/products/1411991>

Accessories

SACC-BP-F-M12/M15-6-SMD - Housing screw connection

1414021

<https://www.phoenixcontact.com/in/products/1414021>



Housing screw connection, Socket, M12, Rear mounting, Alternative product in accordance with RoHS II without Exemption 6c (Pb <0.1%) item no.: 1239058

SACC-BP-F-M12/M15-6-SMD SCO - Housing screw connection

1414023

<https://www.phoenixcontact.com/in/products/1414023>



Housing screw connection, Socket, M12-SPEEDCON, Rear mounting, M15 x 1, Alternative product in accordance with RoHS II without Exemption 6c (Pb <0.1%) item no.: 1239059

SACC-CIP-M12FSD-4P SMD R32 - Flush-type connector

1411991

<https://www.phoenixcontact.com/in/products/1411991>

SACC-FP-F-M12/M14 SMD - Housing screw connection

1412079

<https://www.phoenixcontact.com/in/products/1412079>



M12 female connector, front mounting SMD with M14 screw fastening

SACC-FP-F-M12/PRESS SMD - Housing screw connection

1412081

<https://www.phoenixcontact.com/in/products/1412081>



Housing screw connection, Socket, M12, Front mounting, Alternative product in accordance with RoHS II without Exemption 6c (Pb <0.1%) item no.: 1238973

SACC-CIP-M12FSD-4P SMD R32 - Flush-type connector

1411991

<https://www.phoenixcontact.com/in/products/1411991>

SACC-BP-F-M12/SMD-0,9/1,6-9TIP - Housing screw connection

1419569

<https://www.phoenixcontact.com/in/products/1419569>



Housing screw connection, M12, Rear mounting, Alternative product in accordance with RoHS II without Exemption 6c (Pb <0.1%) item no.: 1239268

SACC-BP-F-M12/SMD-1,6/2,3-9TIP - Housing screw connection

1419570

<https://www.phoenixcontact.com/in/products/1419570>



Housing screw connection, M12, Rear mounting

SACC-CIP-M12FSD-4P SMD R32 - Flush-type connector



1411991

<https://www.phoenixcontact.com/in/products/1411991>

SACC-BP-F-M12/SMD-2,3/3,0-9TIP - Housing screw connection

1419571

<https://www.phoenixcontact.com/in/products/1419571>



Housing screw connection, M12, Rear mounting, Alternative product in accordance with RoHS II without Exemption 6c (Pb <0.1%) item no.: 1239270

SACC-BP-F-FIX/NUT-BK-SMD - Housing screw connection

1419568

<https://www.phoenixcontact.com/in/products/1419568>



Fixing sleeve for M12 housing screw connection with tolerance-compensating function, for SMD-solderable M12 socket contact inserts.

SACC-CIP-M12FSD-4P SMD R32 - Flush-type connector

1411991

<https://www.phoenixcontact.com/in/products/1411991>

SACC-BP-F-FIX/NUT-CY-SMD - Housing screw connection

1419565

<https://www.phoenixcontact.com/in/products/1419565>



Fixing sleeve for M12 housing screw connection with tolerance-compensating function, for SMD-solderable M12 socket contact inserts.

SACC-BP-F-FIX/NUT-GN-SMD - Housing screw connection

1419566

<https://www.phoenixcontact.com/in/products/1419566>



Fixing sleeve for M12 housing screw connection with tolerance-compensating function, for SMD-solderable M12 socket contact inserts.

SACC-CIP-M12FSD-4P SMD R32 - Flush-type connector



1411991

<https://www.phoenixcontact.com/in/products/1411991>

SACC-BP-F-FIX/NUT-VT-SMD - Housing screw connection

1419567

<https://www.phoenixcontact.com/in/products/1419567>



Fixing sleeve for M12 housing screw connection with tolerance-compensating function, for SMD-solderable M12 socket contact inserts.

Phoenix Contact 2023 © - all rights reserved

<https://www.phoenixcontact.com>

PHOENIX CONTACT (I) Pvt. Ltd.

A-58/2, Okhla Industrial Area, Phase - II, New Delhi-110 020

+91.1275.71420

info@phoenixcontact.co.in