

# SACC-CIP-M12FS-5P SMD R32 - Flush-type connector



1411992

<https://www.phoenixcontact.com/in/products/1411992>

Please be informed that the data shown in this PDF document is generated from our Online Catalog. Please find the complete data in the user documentation. Our General Terms of Use for Downloads are valid.



Flush-type connector, 5-position, Socket, straight, M12, coding: A - standard , PCB mounting, SMD, Alternative product in accordance with RoHS II without Exemption 6c (Pb <0.1%) item no.: 1308202

## Your advantages

- Reduced mounting costs thanks to two-piece device connector
- Packaging available for automated pick and place assembly
- All common pin assignments and codings available
- Easy device integration thanks to mechanical port screw connections with threaded attachment, press-in contour or direct integration in the front plate
- Additional gasket for the device when not plugged in

## Commercial Data

Item number	1411992
Packing unit	100 pc
Minimum order quantity	100 pc
Sales Key	ABQ
Product Key	ABQCBK
GTIN	4046356992237
Weight per Piece (including packing)	5.73 g
Weight per Piece (excluding packing)	5.73 g
Customs tariff number	85366990
Country of origin	DE

# SACC-CIP-M12FS-5P SMD R32 - Flush-type connector



1411992

<https://www.phoenixcontact.com/in/products/1411992>

## Technical Data

### Notes

Notes on operation	The electrical and mechanical data specified assume that the connector pair is correctly locked and mounted. If the connector is unlocked and if there is a danger of contamination, the connector must be sealed using a protective cap > IP54. Influences arising from litz wires, cables or PCB assembly must also be taken into consideration.
--------------------	--

### Product properties

Product type	Contact insert
Number of positions	5
Coding	A
Thread type	M12

### Insulation characteristics

Overvoltage category	III
Degree of pollution	3

### Electrical properties

Rated surge voltage	1.5 kV
Contact resistance	$\leq 3 \text{ m}\Omega$
Insulation resistance	$\geq 100 \text{ M}\Omega$
Nominal voltage $U_N$	60 V
Nominal current $I_N$	4 A

### Material specifications

Flammability rating according to UL 94	V0
Seal material	FKM
Contact material	CuZn
Contact surface material	Au
Contact carrier material	PA

### Connector

#### Connection 1

Head design	Socket
Head cable outlet	straight
Head thread type	M12
Coding	A - standard

### Mechanical properties

#### Mechanical data

Insertion/withdrawal cycles	> 100
-----------------------------	-------

# SACC-CIP-M12FS-5P SMD R32 - Flush-type connector



1411992

<https://www.phoenixcontact.com/in/products/1411992>

## Environmental and real-life conditions

### Ambient conditions

Degree of protection (when plugged in)	IP67 (correctly plugged in and locked)
Degree of protection	IP67
Ambient temperature (operation)	-25 °C ... 105 °C (Plug / socket)
	-40 °C ... 105 °C (without mechanical actuation)

## Standards and regulations

### M12

Standards/specifications	IEC 61076-2-101
--------------------------	-----------------

## Mounting

Mounting type	PCB mounting
---------------	--------------

## Packaging specifications

Type of packaging	Belt
-------------------	------

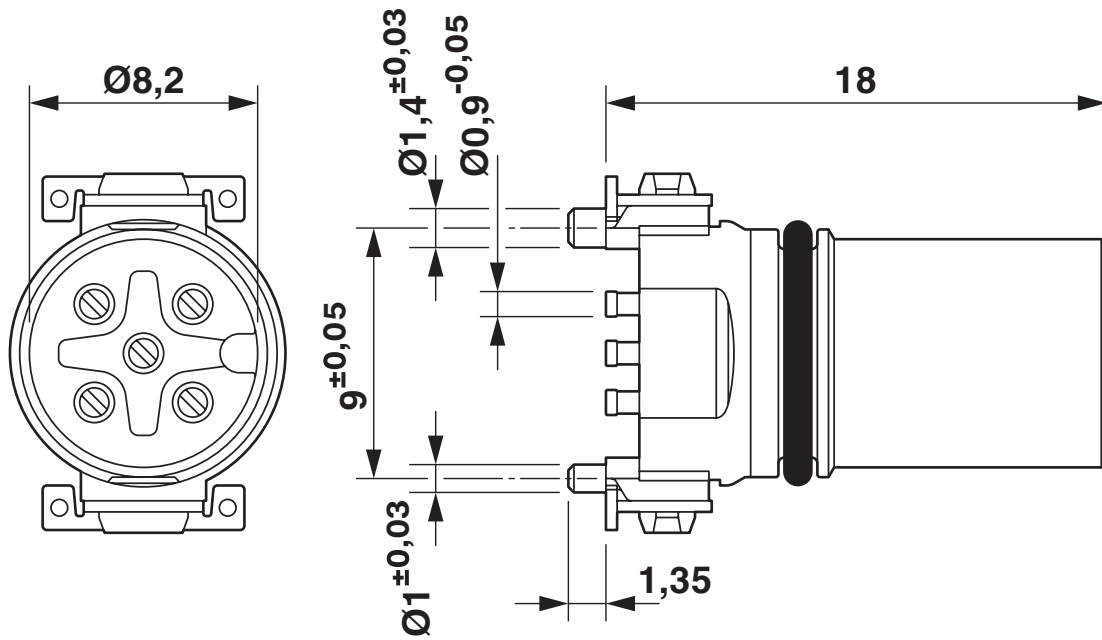
# SACC-CIP-M12FS-5P SMD R32 - Flush-type connector

1411992

<https://www.phoenixcontact.com/in/products/1411992>

## Drawings

Dimensional drawing



Dimensional drawing

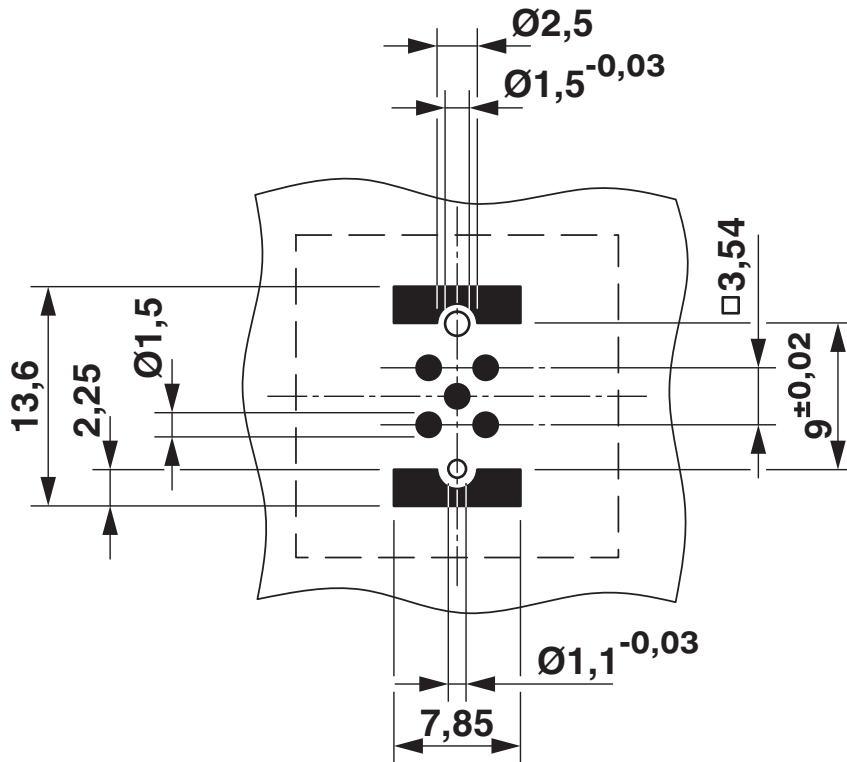
# SACC-CIP-M12FS-5P SMD R32 - Flush-type connector



1411992

<https://www.phoenixcontact.com/in/products/1411992>

Drilling plan/solder pad geometry



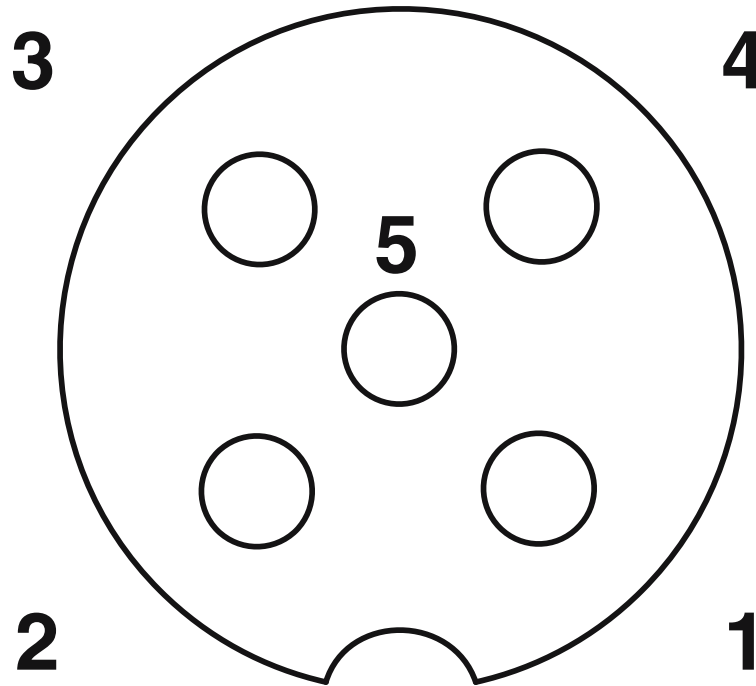
Soldering pad geometry

# SACC-CIP-M12FS-5P SMD R32 - Flush-type connector

1411992

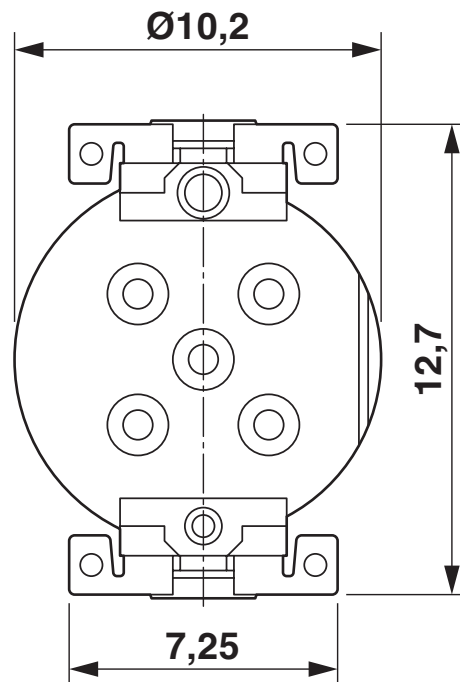
<https://www.phoenixcontact.com/in/products/1411992>

Schematic diagram



Pin assignment M12 socket, 5-pos., A-coded, socket side view

Dimensional drawing



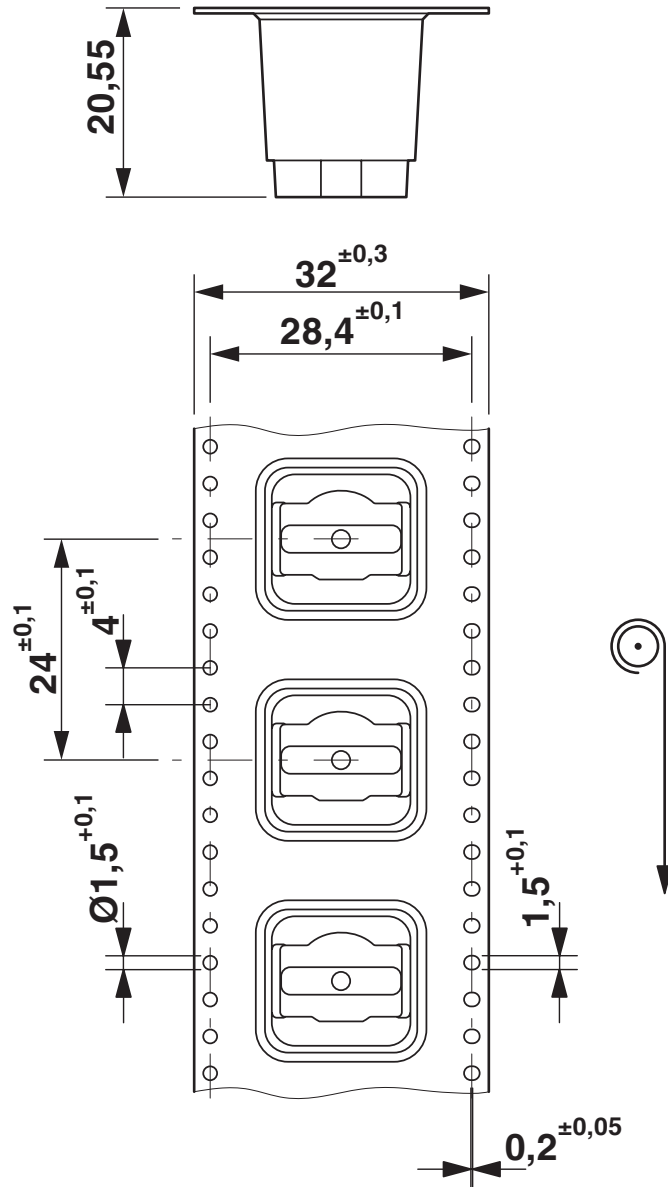
View of solder side

# SACC-CIP-M12FS-5P SMD R32 - Flush-type connector

1411992

<https://www.phoenixcontact.com/in/products/1411992>

Dimensional drawing



SMD tape-on-reel packing

# SACC-CIP-M12FS-5P SMD R32 - Flush-type connector



1411992

<https://www.phoenixcontact.com/in/products/1411992>

## Approvals



**EAC**

Approval ID: B.01687



**cULus Recognized**

Approval ID: E221474-20160506

	Nominal Voltage $U_N$	Nominal Current $I_N$	Cross Section AWG	Cross Section $\text{mm}^2$
	60 V	4 A	-	-



# SACC-CIP-M12FS-5P SMD R32 - Flush-type connector



1411992

<https://www.phoenixcontact.com/in/products/1411992>

## Classifications

### ECLASS

ECLASS-11.0	27440102
ECLASS-12.0	27440116
ECLASS-13.0	27440116

### ETIM

ETIM 8.0	EC002635
----------	----------

### UNSPSC

UNSPSC 21.0	39121400
-------------	----------

# SACC-CIP-M12FS-5P SMD R32 - Flush-type connector



1411992

<https://www.phoenixcontact.com/in/products/1411992>

## Environmental Product Compliance

REACH SVHC	Lead 7439-92-1
China RoHS	Environmentally Friendly Use Period = 50 years
	For information on hazardous substances, refer to the manufacturer's declaration available under "Downloads"

# SACC-CIP-M12FS-5P SMD R32 - Flush-type connector



1411992

<https://www.phoenixcontact.com/in/products/1411992>

## Accessories

### SACC-CIP-M12FS-5P SMD-SP - Sample set

1418632

<https://www.phoenixcontact.com/in/products/1418632>



Sample set, 5-position, Socket, straight, M12, coding: A - standard , PCB mounting, SMD, Alternative product in accordance with RoHS II without Exemption 6c (Pb <0.1%) item no.: 1239198

---

### SACC-BP-F-M12/M15-6-SMD - Housing screw connection

1414021

<https://www.phoenixcontact.com/in/products/1414021>



Housing screw connection, Socket, M12, Rear mounting, Alternative product in accordance with RoHS II without Exemption 6c (Pb <0.1%) item no.: 1239058

# SACC-CIP-M12FS-5P SMD R32 - Flush-type connector

1411992

<https://www.phoenixcontact.com/in/products/1411992>

## SACC-BP-F-M12/M15-6-SMD SCO - Housing screw connection

1414023

<https://www.phoenixcontact.com/in/products/1414023>



Housing screw connection, Socket, M12-SPEEDCON, Rear mounting, M15 x 1, Alternative product in accordance with RoHS II without Exemption 6c (Pb <0.1%) item no.: 1239059

---

## SACC-FP-F-M12/M14 SMD - Housing screw connection

1412079

<https://www.phoenixcontact.com/in/products/1412079>



M12 female connector, front mounting SMD with M14 screw fastening

# SACC-CIP-M12FS-5P SMD R32 - Flush-type connector

1411992

<https://www.phoenixcontact.com/in/products/1411992>

## SACC-FP-F-M12/PRESS SMD - Housing screw connection

1412081

<https://www.phoenixcontact.com/in/products/1412081>



Housing screw connection, Socket, M12, Front mounting, Alternative product in accordance with RoHS II without Exemption 6c (Pb <0.1%) item no.: 1238973

---

## SACC-BP-F-M12/SMD-0,9/1,6-9TIP - Housing screw connection

1419569

<https://www.phoenixcontact.com/in/products/1419569>



Housing screw connection, M12, Rear mounting, Alternative product in accordance with RoHS II without Exemption 6c (Pb <0.1%) item no.: 1239268

# SACC-CIP-M12FS-5P SMD R32 - Flush-type connector

1411992

<https://www.phoenixcontact.com/in/products/1411992>

## SACC-BP-F-M12/SMD-1,6/2,3-9TIP - Housing screw connection

1419570

<https://www.phoenixcontact.com/in/products/1419570>

Housing screw connection, M12, Rear mounting



---

## SACC-BP-F-M12/SMD-2,3/3,0-9TIP - Housing screw connection

1419571

<https://www.phoenixcontact.com/in/products/1419571>

Housing screw connection, M12, Rear mounting, Alternative product in accordance with RoHS II without Exemption 6c (Pb <0.1%) item no.: 1239270



# SACC-CIP-M12FS-5P SMD R32 - Flush-type connector

1411992

<https://www.phoenixcontact.com/in/products/1411992>

## SACC-BP-F-FIX/NUT-BK-SMD - Housing screw connection

1419568

<https://www.phoenixcontact.com/in/products/1419568>



Fixing sleeve for M12 housing screw connection with tolerance-compensating function, for SMD-solderable M12 socket contact inserts.

---

## SACC-BP-F-FIX/NUT-CY-SMD - Housing screw connection

1419565

<https://www.phoenixcontact.com/in/products/1419565>



Fixing sleeve for M12 housing screw connection with tolerance-compensating function, for SMD-solderable M12 socket contact inserts.

# SACC-CIP-M12FS-5P SMD R32 - Flush-type connector



1411992

<https://www.phoenixcontact.com/in/products/1411992>

## SACC-BP-F-FIX/NUT-GN-SMD - Housing screw connection

1419566

<https://www.phoenixcontact.com/in/products/1419566>



Fixing sleeve for M12 housing screw connection with tolerance-compensating function, for SMD-solderable M12 socket contact inserts.

---

## SACC-BP-F-FIX/NUT-VT-SMD - Housing screw connection

1419567

<https://www.phoenixcontact.com/in/products/1419567>



Fixing sleeve for M12 housing screw connection with tolerance-compensating function, for SMD-solderable M12 socket contact inserts.

---

Phoenix Contact 2023 © - all rights reserved  
<https://www.phoenixcontact.com>

PHOENIX CONTACT (I) Pvt. Ltd.  
A-58/2, Okhla Industrial Area, Phase - II, New Delhi-110 020

+91.1275.71420  
[info@phoenixcontact.co.in](mailto:info@phoenixcontact.co.in)