

G-INS-M32-M68N-PNES-GY - Cable gland



1411127

<https://www.phoenixcontact.com/in/products/1411127>

Please be informed that the data shown in this PDF document is generated from our Online Catalog. Please find the complete data in the user documentation. Our General Terms of Use for Downloads are valid.



Cable gland, material for screw connection: PA, external cable diameter 15 mm ... 21 mm, shielding: no, connecting thread: M32 x 1.5, color: silver-gray RAL 7001

Your advantages

- Plastic material conforms to UL 746C f1

Commercial Data

| | |
|--------------------------------------|---------------------|
| Item number | 1411127 |
| Packing unit | 5 pc |
| Minimum order quantity | 5 pc |
| Sales Key | BF7 |
| Product Key | BF7DCX |
| Catalog Page | Page 686 (C-2-2019) |
| GTIN | 4046356922586 |
| Weight per Piece (including packing) | 27.8 g |
| Weight per Piece (excluding packing) | 26.73 g |
| Customs tariff number | 39269097 |
| Country of origin | TR |

G-INS-M32-M68N-PNES-GY - Cable gland



1411127

<https://www.phoenixcontact.com/in/products/1411127>

Technical Data

Mounting

| | |
|-----------------------|---|
| Assembly instructions | 1) Mount screw connection support in the housing using the correct torque 2) Insert cable 3) Tighten union nut using the correct torque |
|-----------------------|---|

Product properties

| | |
|--------------------------------|-----------------------|
| Product type | Full screw connection |
| No. of conductors | 1 |
| Manufacturer | BIMED |
| Manufacturer Designation | BM-EN-04 |
| Shielded | no |
| Execution of the strain relief | A |

Characteristics

| | |
|--------------------------|---|
| Category of shock impact | 4 |
| Design, Strain relief | A |

Dimensions

| | |
|---------------------------------|--|
| Dimensional drawing |  |
| Length | 50 mm |
| Length of the connecting thread | 10 mm |
| Hole diameter | 32.1 mm ... 32.3 mm |
| Wrench size, union nut | 36 mm |
| Wrench size, support | 36 mm |
| Hexagon angular dimension | 40.9 mm |
| Thread type connection side | M32 x 1.5 |
| Thread pitch | 1.5 mm |

Material specifications

| | |
|--|----------------------|
| Color | silver-gray RAL 7001 |
| Material Housing | PA |
| Flammability rating according to UL 94 | V2 |
| Seal material Cable seal | CR |
| Material for screw connection | PA |

Cable/line

| | |
|-------------------------|--------------------------------|
| External cable diameter | 15 mm ... 21 mm |
| | 16 mm ... 21 mm (for UL 514 B) |

G-INS-M32-M68N-PNES-GY - Cable gland



1411127

<https://www.phoenixcontact.com/in/products/1411127>

| | |
|--------------|----|
| Halogen-free | no |
|--------------|----|

Environmental and real-life conditions

Ambient conditions

| | |
|---------------------------------|----------------------------|
| Degree of protection | IP68 (5 bar / 0.5 h) |
| | IP66 |
| Ambient temperature (operation) | -40 °C ... 100 °C (static) |

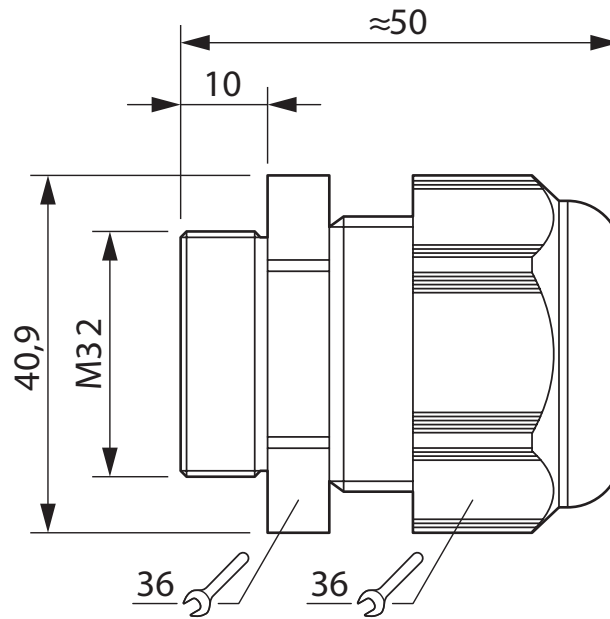
G-INS-M32-M68N-PNES-GY - Cable gland

1411127

<https://www.phoenixcontact.com/in/products/1411127>

Drawings

Dimensional drawing



Dimensional drawing


G-INS-M32-M68N-PNES-GY - Cable gland



1411127

<https://www.phoenixcontact.com/in/products/1411127>

Approvals

 **CSA**
Approval ID: 115116

 **VDE Zeichengenehmigung**
Approval ID: 40024424

 **UL Listed**
Approval ID: E199260

G-INS-M32-M68N-PNES-GY - Cable gland



1411127

<https://www.phoenixcontact.com/in/products/1411127>

Classifications

ECLASS

| | |
|-------------|----------|
| ECLASS-11.0 | 27144432 |
| ECLASS-12.0 | 27140801 |
| ECLASS-13.0 | 27140801 |

ETIM

| | |
|----------|----------|
| ETIM 8.0 | EC000441 |
|----------|----------|

UNSPSC

| | |
|-------------|----------|
| UNSPSC 21.0 | 39121300 |
|-------------|----------|

G-INS-M32-M68N-PNES-GY - Cable gland



1411127

<https://www.phoenixcontact.com/in/products/1411127>

Environmental Product Compliance

| | |
|------------|---|
| China RoHS | Environmentally friendly use period: unlimited = EFUP-e |
| | No hazardous substances above threshold values |

G-INS-M32-M68N-PNES-GY - Cable gland



1411127

<https://www.phoenixcontact.com/in/products/1411127>

Accessories

A-INL-M32-P-GY - Counter nut

1411209

<https://www.phoenixcontact.com/in/products/1411209>

Counter nut, for threads M32 x 1.5, color: silver-gray RAL 7001



SEALING PLUG 17X17 RD - Closing cap

1421861

<https://www.phoenixcontact.com/in/products/1421861>

Closing cap, color: red



Phoenix Contact 2023 © - all rights reserved

<https://www.phoenixcontact.com>

PHOENIX CONTACT (I) Pvt. Ltd.

A-58/2, Okhla Industrial Area, Phase - II, New Delhi-110 020

+91.1275.71420

info@phoenixcontact.co.in