

A-INL-M32-P-GY - Counter nut

1411209

<https://www.phoenixcontact.com/in/products/1411209>

Please be informed that the data shown in this PDF document is generated from our Online Catalog. Please find the complete data in the user documentation. Our General Terms of Use for Downloads are valid.

Counter nut, for threads M32 x 1.5, color: silver-gray RAL 7001



Commercial Data

Item number	1411209
Packing unit	5 pc
Minimum order quantity	5 pc
Sales Key	BF7
Product Key	BF7DZX
Catalog Page	Page 686 (C-2-2019)
GTIN	4046356923415
Weight per Piece (including packing)	6.99 g
Weight per Piece (excluding packing)	6.99 g
Customs tariff number	39269097
Country of origin	TR

A-INL-M32-P-GY - Counter nut

1411209

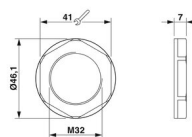
<https://www.phoenixcontact.com/in/products/1411209>

Technical Data

Product properties

Product type	Flat nut
Thread type	M32

Dimensions

Dimensional drawing	
Length	7 mm
Diameter	32 mm
Connecting thread diameter	32 mm
Wrench size, counter nut	41 mm
Hexagon angular dimension	46.1 mm
Thread type connection side	M32 x 1.5
Thread pitch	1.5 mm

Material specifications

Color	silver-gray RAL 7001
Material	PA
Flammability rating according to UL 94	V2

Cable/line

Halogen-free	yes
--------------	-----

Environmental and real-life conditions

Ambient conditions

Ambient temperature (operation)	-40 °C ... 100 °C
---------------------------------	-------------------

A-INL-M32-P-GY - Counter nut

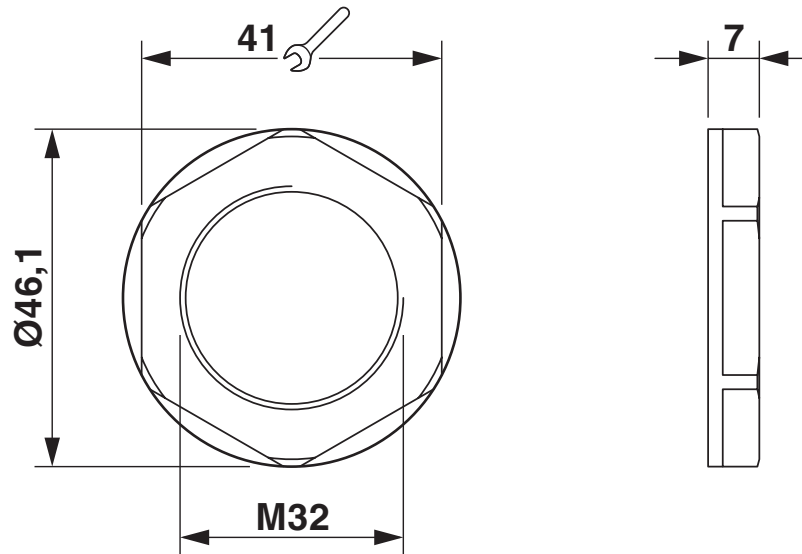
1411209

<https://www.phoenixcontact.com/in/products/1411209>



Drawings

Dimensional drawing



Dimensional drawing

A-INL-M32-P-GY - Counter nut



1411209

<https://www.phoenixcontact.com/in/products/1411209>

Classifications

ECLASS

ECLASS-11.0

27144424

ETIM

ETIM 8.0

EC000940

UNSPSC

UNSPSC 21.0

31161700

A-INL-M32-P-GY - Counter nut



1411209

<https://www.phoenixcontact.com/in/products/1411209>

Environmental Product Compliance

China RoHS	Environmentally friendly use period: unlimited = EFUP-e
	No hazardous substances above threshold values

Phoenix Contact 2023 © - all rights reserved
<https://www.phoenixcontact.com>

PHOENIX CONTACT (I) Pvt. Ltd.
A-58/2, Okhla Industrial Area, Phase - II, New Delhi-110 020

+91.1275.71420
info@phoenixcontact.co.in