

# SACC-E-MS-5CON-M16/0,5 SCO - Device connector front mounting



1520055

<https://www.phoenixcontact.com/in/products/1520055>

Please be informed that the data shown in this PDF document is generated from our Online Catalog. Please find the complete data in the user documentation. Our General Terms of Use for Downloads are valid.



Device connector front mounting, Universal, 5-position, Flush-type male connector, straight, M12-SPEEDCON, coding: A , on free cable end, Front mounting, M16 x 1.5, Individual wires, cable length: 0.5 m, 0.34 mm<sup>2</sup>, TPE litz wire

## Your advantages

- Pre-assembled with litz wires for immediate use
- Customer-specific assemblies and litz wire lengths available
- Sealed on the litz wire side for optimum leak-tightness
- All standard pin assignments and codings for signal, data, and power transmission with a uniform design-in design
- For high transmission safety: shield connection to the housing with optional EMC nut
- SPEEDCON fast locking system reduces cabling times

## Commercial Data

|                                      |                    |
|--------------------------------------|--------------------|
| Item number                          | 1520055            |
| Packing unit                         | 1 pc               |
| Minimum order quantity               | 1 pc               |
| Sales Key                            | ABQ                |
| Product Key                          | ABQCDA             |
| Catalog Page                         | Page 37 (C-2-2019) |
| GTIN                                 | 4046356020145      |
| Weight per Piece (including packing) | 30.3 g             |
| Weight per Piece (excluding packing) | 21.1 g             |
| Customs tariff number                | 85444290           |
| Country of origin                    | DE                 |

# SACC-E-MS-5CON-M16/0,5 SCO - Device connector front mounting



1520055

<https://www.phoenixcontact.com/in/products/1520055>

## Technical Data

### Notes

#### Notes on operation

The electrical and mechanical data specified assume that the connector pair is correctly locked and mounted. If the connector is unlocked and if there is a danger of contamination, the connector must be sealed using a protective cap > IP54. Influences arising from litz wires, cables or PCB assembly must also be taken into consideration.

#### Safety note

#### Safety note

**WARNING:** The connectors may not be plugged in or disconnected under load. Ignoring the warning or improper use may damage persons and/or property.

- **WARNING:** Commission properly functioning products only. The products must be regularly inspected for damage. Decommission defective products immediately. Replace damaged products. Repairs are not possible.

- **WARNING:** Only electrically qualified personnel may install and operate the product. They must observe the following safety notes. The qualified personnel must be familiar with the basics of electrical engineering. They must be able to recognize and prevent danger. The relevant symbol on the packaging indicates that only personnel familiar with electrical engineering are allowed to install and operate the product.

- The products are suitable for applications in plant, controller, and electrical device engineering.

- When operating the connectors in outdoor applications, they must be separately protected against environmental influences.

- Assembled products may not be manipulated or improperly opened.

- Only use mating connectors that are specified in the technical data of the standards listed (e.g. the ones listed in the product accessories online at [phoenixcontact.com/products](https://www.phoenixcontact.com/products)).

- When using the product in direct connection with third-party manufacturers, the user is responsible.

- For operating voltages > 50 V AC, conductive connector housings must be grounded

- Ensure that when laying the cable, the tensile load on the connectors does not exceed the upper limit specified in the standards.

- Observe the corresponding technical data. You will find information:

- o On the product

- o On the packing label

- o In the supplied documentation

- o Online at [phoenixcontact.com/products](https://www.phoenixcontact.com/products) under the product

- Only use tools recommended by Phoenix Contact

- Use a protective cap to protect connectors that are not in use. The suitable accessories are available online in the accessory section of the product at [phoenixcontact.com/products](https://www.phoenixcontact.com/products)

# SACC-E-MS-5CON-M16/0,5 SCO - Device connector front mounting



1520055

<https://www.phoenixcontact.com/in/products/1520055>

|  |  |
|--|--|
|  | <ul style="list-style-type: none"><li>• Ensure that the protective or functional ground has been properly connected.</li></ul>   |
|  | <ul style="list-style-type: none"><li>• VDE 0100/1.97 § 411.1.3.2 and DIN EN 60 204/11.98 § 14.1.3 are applicable when combining several circuits in a cable and/or connector</li></ul>  |
|  | <ul style="list-style-type: none"><li>• The connector warms up in normal operation. Depending on the ambient conditions, the surface of the connector can continue to warm up. In this case, the user is responsible for posting warnings (e.g. DIN EN ISO 13732-1:2008-12).</li></ul> |

## Mounting

|               |                          |
|---------------|--------------------------|
| Mounting type | Front mounting M16 x 1.5 |
|---------------|--------------------------|

## Product properties

|                      |                                   |
|----------------------|-----------------------------------|
| Product type         | Circular connectors (device side) |
| Number of positions  | 5                                 |
| No. of cable outlets | 1                                 |
| Shielded             | no                                |
| Coding               | A                                 |

## Insulation characteristics

|                      |    |
|----------------------|----|
| Overvoltage category | II |
| Degree of pollution  | 3  |

## Material specifications

|  |                              |
|--|------------------------------|
| Flammability rating according to UL 94 | V0                           |
| Seal material                          | FKM                          |
| Contact material                       | CuZn                         |
| Contact surface material               | Ni/Au                        |
| Contact carrier material               | PA 6.6                       |
| Material for screw connection          | Zinc die-cast, nickel-plated |
| Conductor material                     | Tin-plated Cu litz wires     |

## Electrical properties

|                                |                        |
|--------------------------------|------------------------|
| Rated surge voltage            | 1.5 kV                 |
| Contact resistance             | ≤ 3 mΩ                 |
| Insulation resistance          | ≥ 100 MΩ               |
| Nominal voltage U <sub>N</sub> | 60 V (AC)<br>60 V (DC) |
| Nominal current I <sub>N</sub> | 4 A                    |
| Transmission medium            | Copper                 |

## Connection data

### Conductor connection

|                   |                  |
|-------------------|------------------|
| Connection method | Individual wires |
|-------------------|------------------|

# SACC-E-MS-5CON-M16/0,5 SCO - Device connector front mounting



1520055

<https://www.phoenixcontact.com/in/products/1520055>

|                         |                      |
|-------------------------|----------------------|
| Type of contact         | Crimp contacts       |
| Conductor cross section | 0.34 mm <sup>2</sup> |
| Tightening torque       | 3 Nm                 |
|                         | 4 Nm                 |

## Connector

### Connection 1

|                   |                           |
|-------------------|---------------------------|
| Head design       | Flush-type male connector |
| Head cable outlet | straight                  |
| Head thread type  | M12                       |
| Head locking type | SPEEDCON                  |
| Coding            | A                         |

### Connection 2

|             |                |
|-------------|----------------|
| Head design | free cable end |
|-------------|----------------|

## Cable/line

|                                 |   |
|---------------------------------|---|
| Cable length                    | 0.5 m   |
| Cable type                      | TPE litz wire                                   |
| Signal type/category            | Universal                                       |
| Wire diameter incl. insulation  | 1.2 mm ±0.07 mm                                 |
| Single wire, color              | black, brown, blue, white, gray                 |
| Conductor material              | Tin-plated Cu litz wires                        |
| Conductor structure signal line | 7x 0.25 mm                                      |
| AWG signal line                 | 22  |
| Material wire insulation        | TPE   |
| Thickness, insulation           | 0.21 mm (Core insulation)                       |
| Nominal voltage, cable          | 300 V   |
| Test voltage, cable             | 3000 V AC                                       |
| Cable resistance                | ≤ 57.6 mΩ/m                                     |
| Cable insulation resistance     | ≥ 20 MΩ*km                                      |
| Ambient temperature (operation) | -40 °C ... 85 °C (cable, fixed installation)    |
|                                 | -25 °C ... 85 °C (Cable, flexible installation) |

## Environmental and real-life conditions

### Ambient conditions

|                                 |   |
|---------------------------------|---|
| Degree of protection            | IP67  |
|                                 | IP65/IP67                                       |
| Ambient temperature (operation) | -25 °C ... 85 °C (Plug / socket)                |
|                                 | -40 °C ... 85 °C (without mechanical actuation) |
|                                 | -25 °C ... 85 °C (Cable, flexible installation) |
|                                 | -40 °C ... 85 °C (cable, fixed installation)    |

# SACC-E-MS-5CON-M16/0,5 SCO - Device connector front mounting



1520055

<https://www.phoenixcontact.com/in/products/1520055>

## Standards and regulations

M12

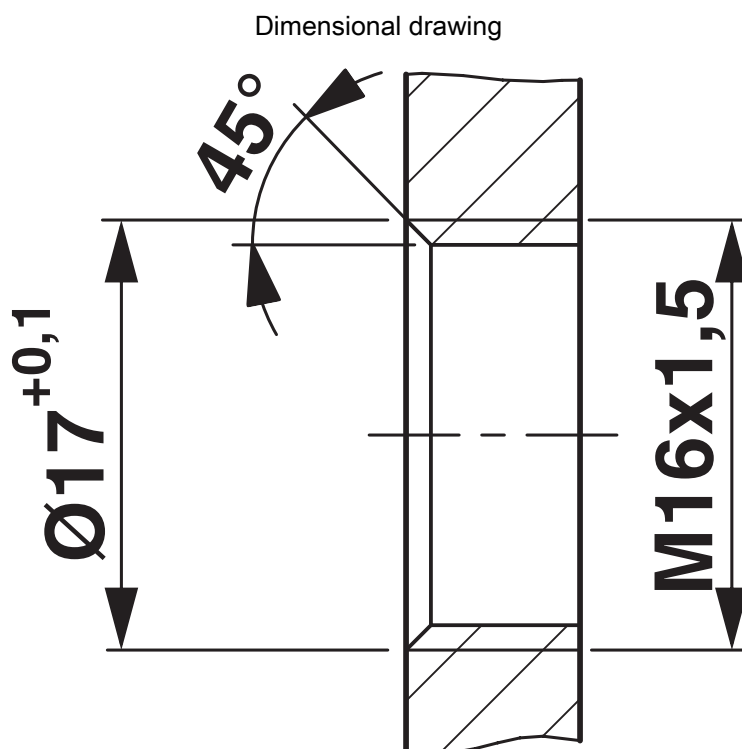
|                          |                 |
|--------------------------|-----------------|
| Standards/specifications | IEC 61076-2-101 |
| Standards/specifications | EN 50155        |

# SACC-E-MS-5CON-M16/0,5 SCO - Device connector front mounting

1520055

<https://www.phoenixcontact.com/in/products/1520055>

## Drawings



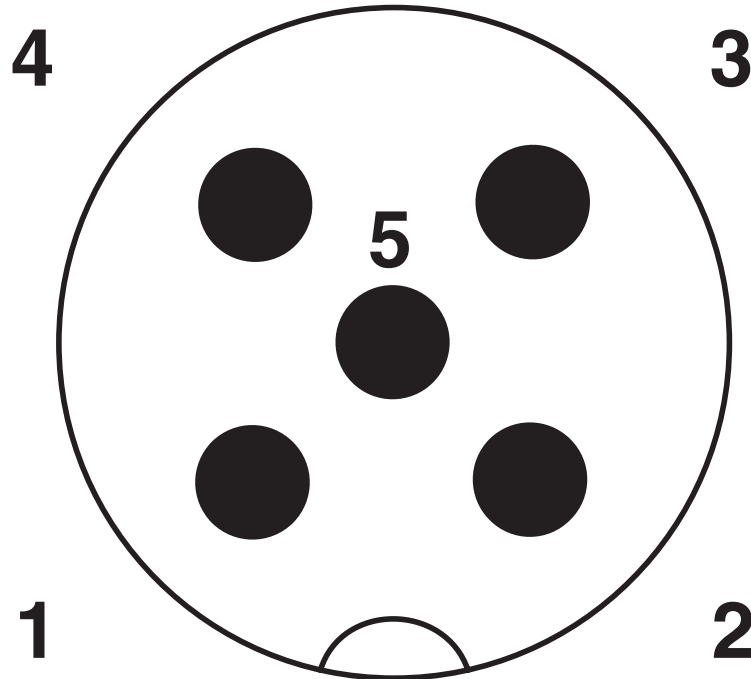
Housing cutout for M16 fastening thread, mounting panel with thread

# SACC-E-MS-5CON-M16/0,5 SCO - Device connector front mounting

1520055

<https://www.phoenixcontact.com/in/products/1520055>

Schematic diagram



Pin assignment M12 male connector, 5-pos., A-coded, male side

Circuit diagram



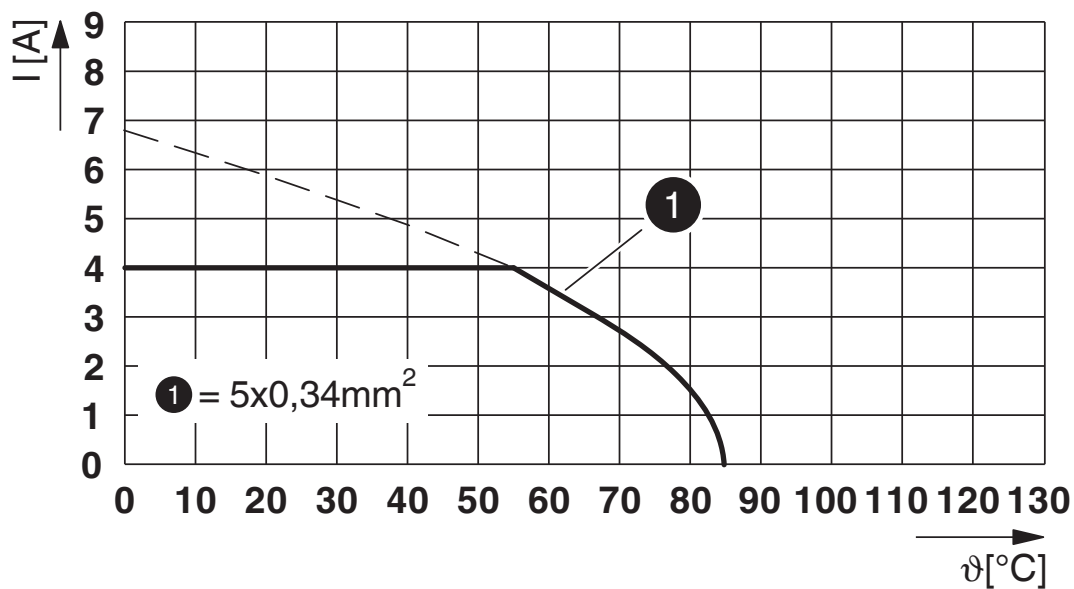
# SACC-E-MS-5CON-M16/0,5 SCO - Device connector front mounting



1520055

<https://www.phoenixcontact.com/in/products/1520055>

Diagram



$I$  = current strength,  $T$  = ambient temperature

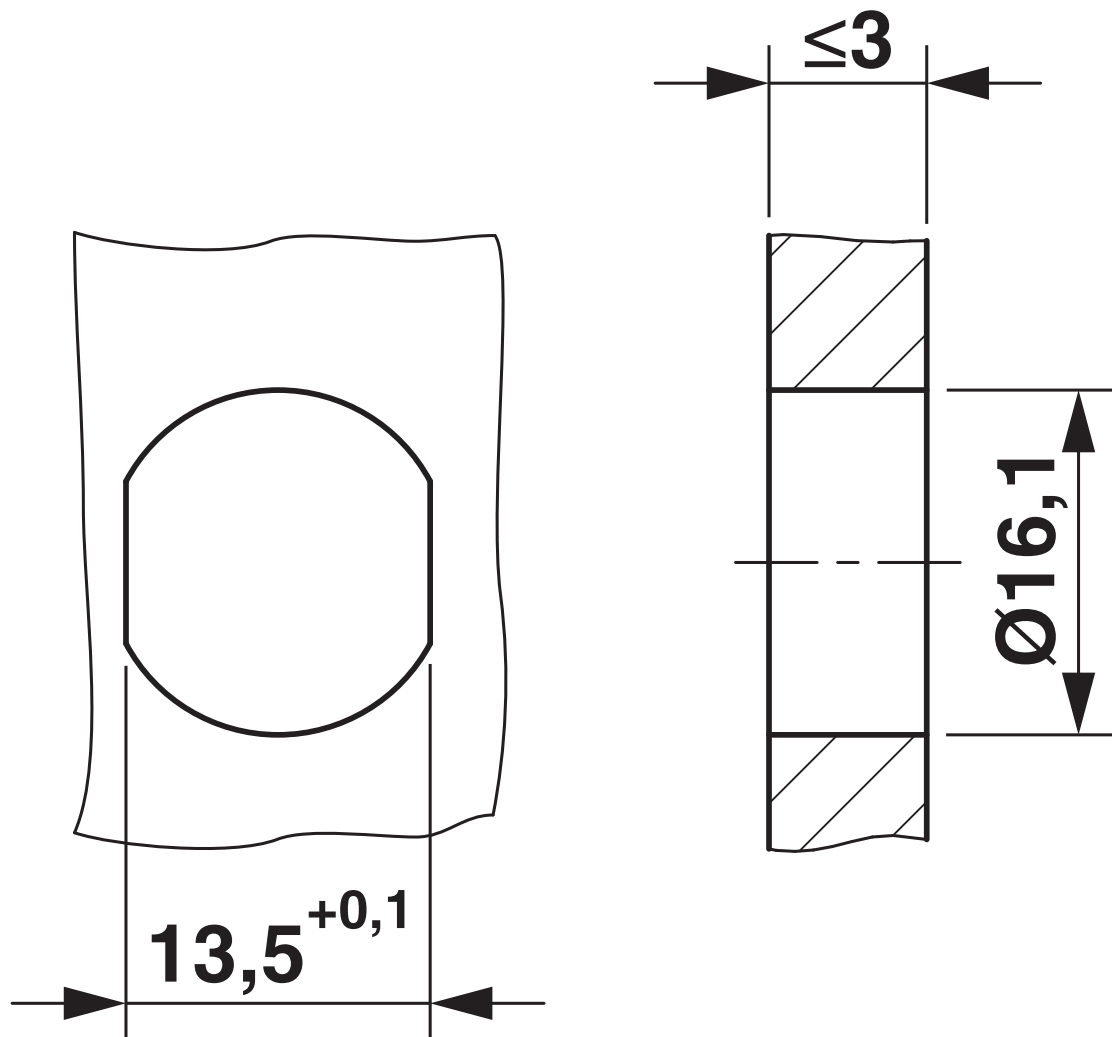


# SACC-E-MS-5CON-M16/0,5 SCO - Device connector front mounting

1520055

<https://www.phoenixcontact.com/in/products/1520055>

Dimensional drawing

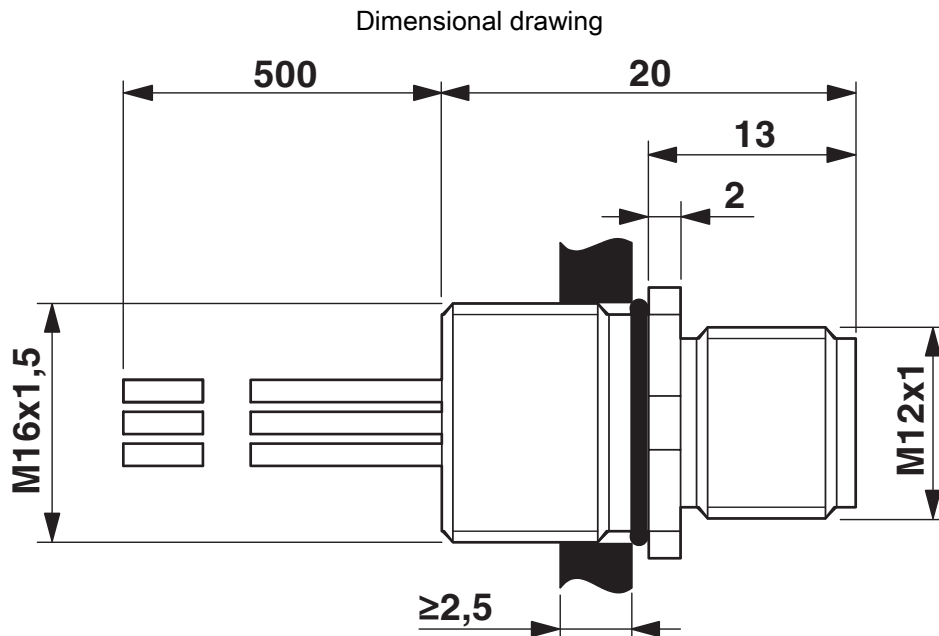


Housing cutout for M16 fastening thread, mounting panel with feed-through hole (alternatively with surface as protection against rotation)

# SACC-E-MS-5CON-M16/0,5 SCO - Device connector front mounting

1520055

<https://www.phoenixcontact.com/in/products/1520055>



Dimensional drawing

# SACC-E-MS-5CON-M16/0,5 SCO - Device connector front mounting



1520055

<https://www.phoenixcontact.com/in/products/1520055>

## Approvals



**EAC**

Approval ID: B.01687



**cULus Recognized**

Approval ID: E221474-20140616

|  | Nominal Voltage $U_N$ | Nominal Current $I_N$ | Cross Section AWG | Cross Section $\text{mm}^2$ |
|--|-----------------------|-----------------------|-------------------|-----------------------------|
|  | 60 V                  | 4 A                   | 22 - 20           | -                           |



**UL Recognized**

Approval ID: E118976-20100522

|  | Nominal Voltage $U_N$ | Nominal Current $I_N$ | Cross Section AWG | Cross Section $\text{mm}^2$ |
|--|-----------------------|-----------------------|-------------------|-----------------------------|
|  | 60 V                  | 4 A                   | - 22              | -                           |

# SACC-E-MS-5CON-M16/0,5 SCO - Device connector front mounting



1520055

<https://www.phoenixcontact.com/in/products/1520055>

## Classifications

### ECLASS

|             |          |
|-------------|----------|
| ECLASS-11.0 | 27440103 |
| ECLASS-12.0 | 27440103 |
| ECLASS-13.0 | 27440103 |

### ETIM

|          |          |
|----------|----------|
| ETIM 8.0 | EC003570 |
|----------|----------|

### UNSPSC

|             |          |
|-------------|----------|
| UNSPSC 21.0 | 39121400 |
|-------------|----------|

# SACC-E-MS-5CON-M16/0,5 SCO - Device connector front mounting



1520055

<https://www.phoenixcontact.com/in/products/1520055>

## Environmental Product Compliance

China RoHS

Environmentally friendly use period: unlimited = EFUP-e

No hazardous substances above threshold values

# SACC-E-MS-5CON-M16/0,5 SCO - Device connector front mounting



1520055

<https://www.phoenixcontact.com/in/products/1520055>

## Accessories

### SACC-E-MU-M16 - Flat nut

1504097

<https://www.phoenixcontact.com/in/products/1504097>

Flat nut, Screw mounting, M16 x 1.5, Alternative product in accordance with RoHS II without Exemption 6c (Pb <0.1%) item no.: 1239863



---

### SACC-M16-SEAL CLM - Flat gasket

1430394

<https://www.phoenixcontact.com/in/products/1430394>

M16 flat gasket for M12 flush-type connectors with M16 fastening thread



# SACC-E-MS-5CON-M16/0,5 SCO - Device connector front mounting



1520055

<https://www.phoenixcontact.com/in/products/1520055>

## PROT-M12 FS - Sealing cap

1560251

<https://www.phoenixcontact.com/in/products/1560251>



M12 sealing cap for unoccupied M12 plugs of the sensor/actuator cable, flush-type plugs and I/O devices in the field

---

## PROT-M12 FS-M - Sealing cap

1430488

<https://www.phoenixcontact.com/in/products/1430488>



M12 metal sealing cap for unoccupied M12 plugs of the sensor/actuator cable, flush-type plugs and I/O devices in the field

---

Phoenix Contact 2023 © - all rights reserved

<https://www.phoenixcontact.com>

PHOENIX CONTACT (I) Pvt. Ltd.

A-58/2, Okhla Industrial Area, Phase - II, New Delhi-110 020

+91.1275.71420

[info@phoenixcontact.co.in](mailto:info@phoenixcontact.co.in)