

SKS 8-D - Shield connection clamp

3240213

<https://www.phoenixcontact.com/in/products/3240213>

Please be informed that the data shown in this PDF document is generated from our Online Catalog. Please find the complete data in the user documentation. Our General Terms of Use for Downloads are valid.



Shield connection terminal block, for applying the shield directly to the conductive mounting plates

Commercial Data

Item number	3240213
Packing unit	10 pc
Minimum order quantity	10 pc
Sales Key	BE7
Product Key	BE7521
Catalog Page	Page 569 (C-3-2019)
GTIN	4046356458665
Weight per Piece (including packing)	11.255 g
Weight per Piece (excluding packing)	11 g
Customs tariff number	85369010
Country of origin	DE

SKS 8-D - Shield connection clamp

3240213

<https://www.phoenixcontact.com/in/products/3240213>

Technical Data

Product properties

Product type	Shield connection clamp
Pitch	12.4 mm
Number of connections	1
Number of rows	1

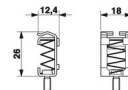
Electrical properties

Maximum power dissipation for nominal condition	1.31 W
---	--------

Connection data

Grounding foot	Yes
Screw thread	M4
Conductor cross section rigid	3 mm ² ... 8 mm ²
Cross section AWG	12 ... 8 (converted acc. to IEC)
Conductor cross section flexible	3 mm ² ... 8 mm ²
Conductor cross section, flexible [AWG]	12 ... 8 (converted acc. to IEC)

Dimensions

Dimensional drawing	
Width	12.4 mm
Height	34.9 mm
Length	18 mm
Pitch	12.4 mm

Material specifications

Color	silver
Material	Steel

Cable/line

External cable diameter	3 mm ... 8 mm
-------------------------	---------------

Mechanical properties

Mechanical data

Open side panel	No
-----------------	----

Mounting

Mounting type	direct screw connection
---------------	-------------------------

SKS 8-D - Shield connection clamp

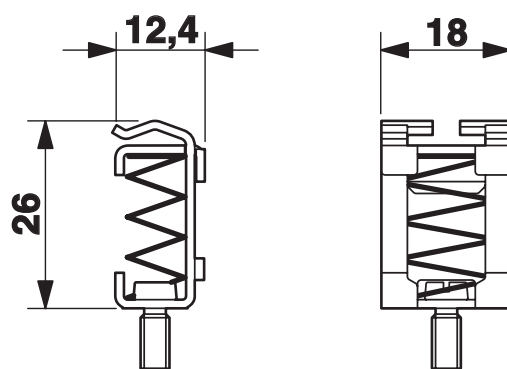
3240213

<https://www.phoenixcontact.com/in/products/3240213>



Drawings

Dimensional drawing



SKS 8-D - Shield connection clamp



3240213

<https://www.phoenixcontact.com/in/products/3240213>

Classifications

ECLASS

ECLASS-11.0	27141150
ECLASS-12.0	27141150
ECLASS-13.0	27250309

ETIM

ETIM 8.0	EC002020
----------	----------

UNSPSC

UNSPSC 21.0	39121400
-------------	----------

SKS 8-D - Shield connection clamp

3240213

<https://www.phoenixcontact.com/in/products/3240213>



Environmental Product Compliance

China RoHS	Environmentally friendly use period: unlimited = EFUP-e
	No hazardous substances above threshold values

SKS 8-D - Shield connection clamp

3240213

<https://www.phoenixcontact.com/in/products/3240213>



Accessories

AB-SK - Support bracket

3025341

<https://www.phoenixcontact.com/in/products/3025341>

Support bracket for busbars



AB/SS - Support bracket

0404428

<https://www.phoenixcontact.com/in/products/0404428>

Support bracket made from insulation material, with retaining screw, can be used with either 3 x 10 mm or 6 x 6 mm busbar, color: gray



SKS 8-D - Shield connection clamp

3240213

<https://www.phoenixcontact.com/in/products/3240213>



AK 4 - Connection terminal block

0404017

<https://www.phoenixcontact.com/in/products/0404017>



Connection terminal block, connection method: Screw connection, Rated cross section: 4 mm², cross section: 0.5 mm² - 6 mm², mounting: Neutral busbar, color: silver

AKG 4 GNYE - Connection terminal block

0421029

<https://www.phoenixcontact.com/in/products/0421029>



Connection terminal block, nom. voltage: 300 V, nominal current: 41 A, connection method: Screw connection, Rated cross section: 4 mm², cross section: 0.5 mm² - 6 mm², mounting: Neutral busbar, color: green-yellow

SKS 8-D - Shield connection clamp

3240213

<https://www.phoenixcontact.com/in/products/3240213>



AKG 4 BK - Connection terminal block

0421032

<https://www.phoenixcontact.com/in/products/0421032>



Connection terminal block, nom. voltage: 300 V, nominal current: 41 A, connection method: Screw connection, Rated cross section: 4 mm², cross section: 0.5 mm² - 6 mm², mounting: Neutral busbar, color: black

Phoenix Contact 2023 © - all rights reserved

<https://www.phoenixcontact.com>

PHOENIX CONTACT (I) Pvt. Ltd.

A-58/2, Okhla Industrial Area, Phase - II, New Delhi-110 020

+91.1275.71420

info@phoenixcontact.co.in