

MINI MCR-BL-PT100-I-NC - Temperature measuring transducer



2810489

<https://www.phoenixcontact.com/in/products/2810489>

Please be informed that the data shown in this PDF document is generated from our Online Catalog. Please find the complete data in the user documentation. Our General Terms of Use for Downloads are valid.



MCR temperature transducer, configurable, for Pt 100 temperature sensors for the measuring range -50°C ... 200 °C, screw connection

Commercial Data

Item number	2810489
Packing unit	1 pc
Minimum order quantity	1 pc
Note	Made to Order (non-returnable)
Sales Key	CK1
Product Key	CK1221
GTIN	4046356166706
Weight per Piece (including packing)	68.2 g
Weight per Piece (excluding packing)	60.5 g
Customs tariff number	85437090
Country of origin	DE

MINI MCR-BL-PT100-I-NC - Temperature measuring transducer



2810489

<https://www.phoenixcontact.com/in/products/2810489>

Technical Data

Notes

Utilization restriction

EMC note	EMC: class A product, see manufacturer's declaration in the download area
----------	---

Product properties

Product type	Temperature transmitter
Product family	MINI Analog

Insulation characteristics

Overvoltage category	II
Pollution degree	2

Electrical properties

Step response (0–99%)	< 500 ms
Maximum temperature coefficient	< 0.02 %/K
Transmission error in the set measuring range	$((50 \text{ K} / \Delta \text{ Temp}) + 0.05)\%$
Transmission error in the full measuring range	$\leq 0.25 \%$

Electrical isolation Input/output/power supply

Rated insulation voltage	50 V AC/DC
Test voltage	1.5 kV AC (50 Hz, 60 s)
Insulation	Basic insulation in accordance with IEC/EN 61010

Supply

Nominal supply voltage	24 V DC $\pm 10 \%$
Supply voltage range	19.2 V DC ... 30 V DC
Max. current consumption	< 25 mA
Power consumption	< 500 mW

Input data

Signal

Number of inputs	1
------------------	---

Measurement

Sensor types (RTD) that can be used	Pt 100 (IEC 60751/EN 60751)
Temperature measuring range	-50 °C ... 200 °C
Temperature measuring range	min. 50 K
Sensor type:	-50 °C ... 200 °C (configurable)
Sensor input current	1 mA (constant)
Max. permissible overall conductor resistance	10 Ω (Per cable)

MINI MCR-BL-PT100-I-NC - Temperature measuring transducer

2810489

<https://www.phoenixcontact.com/in/products/2810489>

Connection technology	3-conductor
-----------------------	-------------

Output data

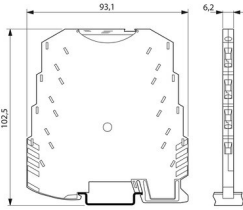
Signal: Current

Configurable/programmable	no
Non-load voltage	approx. 12.5 V
Current output signal	0 mA ... 20 mA 4 mA ... 20 mA
Max. current output signal	23 mA
Load/output load current output	< 500 Ω (at 20 mA)
Ripple	< 20 mV _{PP} (at 500 Ω)

Connection data

Connection method	Screw connection
Stripping length	12 mm
Screw thread	M3
Conductor cross section rigid	0.2 mm ² ... 2.5 mm ²
Conductor cross section flexible	0.2 mm ² ... 2.5 mm ²
Conductor cross section AWG	26 ... 12

Dimensions

Dimensional drawing	
Width	6.2 mm
Height	93.1 mm
Depth	102.5 mm

Material specifications

Fire protection for rail vehicles (DIN EN 45545-2) R22	HL 1 - HL 2
Fire protection for rail vehicles (DIN EN 45545-2) R23	HL 1 - HL 2
Fire protection for rail vehicles (DIN EN 45545-2) R24	HL 1 - HL 2
Housing material	PBT

Environmental and real-life conditions

Ambient conditions

Degree of protection	IP20
Ambient temperature (operation)	-10 °C ... 60 °C

MINI MCR-BL-PT100-I-NC - Temperature measuring transducer



2810489

<https://www.phoenixcontact.com/in/products/2810489>

Ambient temperature (storage/transport)	-20 °C ... 65 °C
---	------------------

Approvals

CE

Certificate	CE-compliant
-------------	--------------

UKCA

Certificate	UKCA-compliant
-------------	----------------

EMC data

Noise immunity	EN 61000-6-2:2005
Electromagnetic compatibility	Conformance with EMC directive
Noise emission	EN 61000-6-4

Electrostatic discharge

Comments	Safety measures must be taken to prevent electrostatic discharge.
----------	---

Mounting

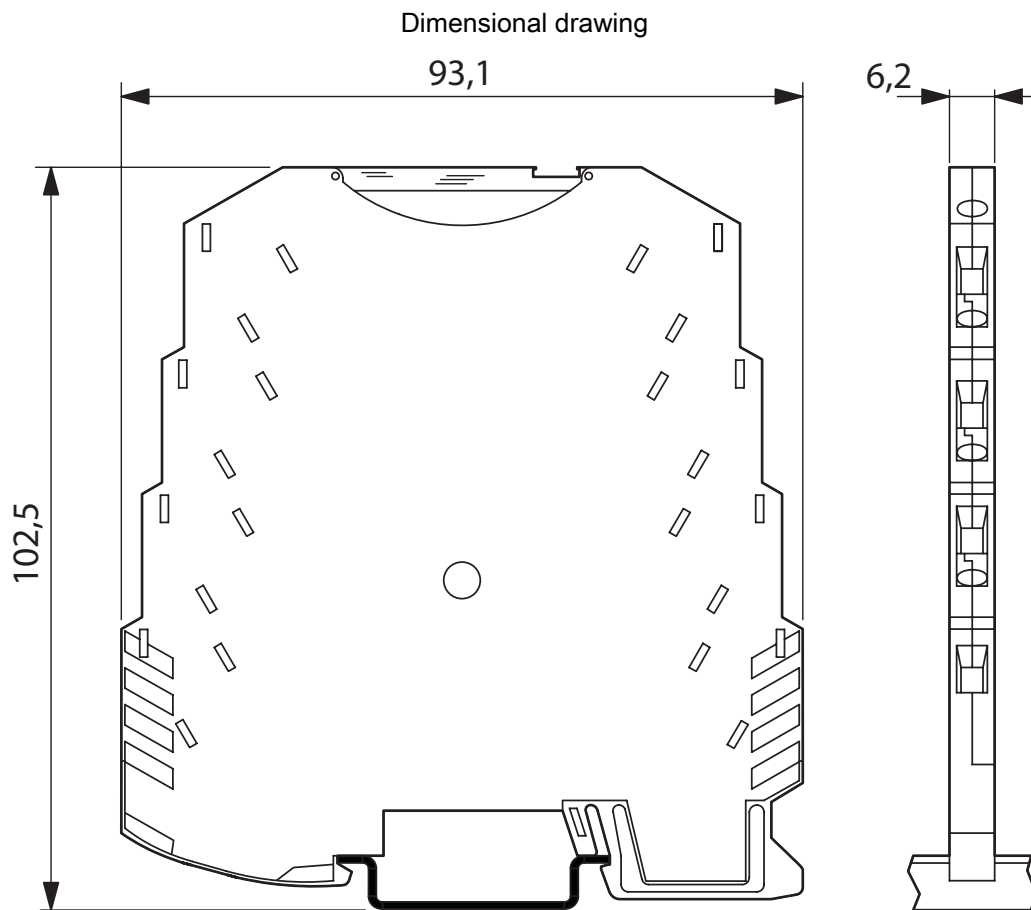
Mounting type	DIN rail mounting
Mounting position	any

MINI MCR-BL-PT100-I-NC - Temperature measuring transducer

2810489

<https://www.phoenixcontact.com/in/products/2810489>

Drawings

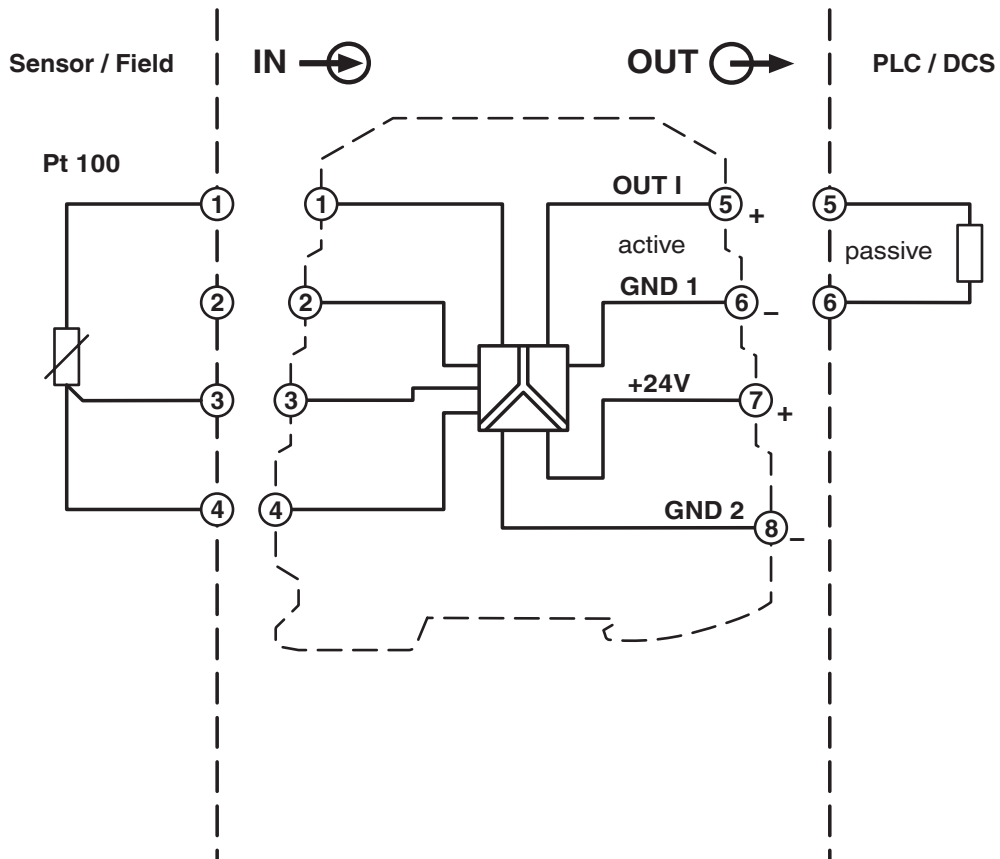


MINI MCR-BL-PT100-I-NC - Temperature measuring transducer

2810489

<https://www.phoenixcontact.com/in/products/2810489>

Block diagram



MINI MCR-BL-PT100-I-NC - Temperature measuring transducer



2810489

<https://www.phoenixcontact.com/in/products/2810489>

Classifications

ECLASS

ECLASS-11.0	27210129
ECLASS-13.0	27210129
ECLASS-12.0	27210129

ETIM

ETIM 8.0	EC002919
----------	----------

UNSPSC

UNSPSC 21.0	41112100
-------------	----------

MINI MCR-BL-PT100-I-NC - Temperature measuring transducer



2810489

<https://www.phoenixcontact.com/in/products/2810489>

Environmental Product Compliance

REACH SVHC	Lead 7439-92-1
China RoHS	Environmentally Friendly Use Period = 50 years
	For information on hazardous substances, refer to the manufacturer's declaration available under "Downloads"

MINI MCR-BL-PT100-I-NC - Temperature measuring transducer



2810489

<https://www.phoenixcontact.com/in/products/2810489>

Accessories

MINI MCR DKL - Transparent cover

2308111

<https://www.phoenixcontact.com/in/products/2308111>



Fold up transparent cover for MINI MCR modules with additional labeling option using insert strips and flat Zack marker strip 6.2 mm

MINI MCR-DKL-LABEL - Marking label

2810272

<https://www.phoenixcontact.com/in/products/2810272>



Label for extended marking of MINI MCR modules in connection with the MINI MCR-DKL

Phoenix Contact 2023 © - all rights reserved

<https://www.phoenixcontact.com>

PHOENIX CONTACT (I) Pvt. Ltd.

A-58/2, Okhla Industrial Area, Phase - II, New Delhi-110 020

+91.1275.71420

info@phoenixcontact.co.in