

Product data sheet

Specifications



Head for non illuminated push button, Harmony XB6, yellow flush, 16mm, integral LED, spring return, unmarked

ZB6AA5

⚠ Discontinued

⚠ Discontinued on: 31 March 2023

⚠ End-of-service on: 15 April 2023

Main

Range of product	Harmony XB6
Product or component type	Head for non-illuminated push-button
Device short name	ZB6
Bezel material	Plastic
Mounting diameter	16 mm
Sale per indivisible quantity	1
Shape of signaling unit head	Round
Type of operator	spring return
Operator profile	Yellow flush, unmarked

Complementary

CAD overall width	18 mm
CAD overall height	18 mm
CAD overall depth	33 mm
Net weight	0.016 kg

Environment

Protective treatment	TC
Ambient air temperature for storage	-40...70 °C
Ambient air temperature for operation	-25...70 °C
Electrical shock protection class	Class II conforming to IEC 61140
IP degree of protection	IP65 conforming to IEC 60529
NEMA degree of protection	NEMA 13 conforming to UL 50 NEMA 4 conforming to UL 50 NEMA 4X conforming to UL 50 NEMA 13 conforming to CSA C22.2 No 94 NEMA 4 conforming to CSA C22.2 No 94 NEMA 4X conforming to CSA C22.2 No 94
Standards	CSA C22.2 No 14

UL 508
 EN/IEC 60947-5-1
 EN/IEC 60947-1
 JIS C 852
 JIS C8201-5-1
 EN/IEC 60947-5-5
 JIS C8201-1

Product certifications	UL CCC CSA GOST
-------------------------------	--------------------------

Vibration resistance	+/- 3 mm (f= 2...500 Hz) conforming to IEC 60068-2-6 5 gn (f= 2...500 Hz) conforming to IEC 60068-2-6
-----------------------------	--

Shock resistance	30 gn (duration = 18 ms) for half sine wave acceleration conforming to IEC 60068-2-27 50 gn (duration = 11 ms) for half sine wave acceleration conforming to IEC 60068-2-27
-------------------------	--

Packing Units

Unit Type of Package 1	PCE
-------------------------------	-----

Number of Units in Package 1	1
-------------------------------------	---

Package 1 Height	8.000 cm
-------------------------	----------

Package 1 Width	2.100 cm
------------------------	----------

Package 1 Length	6.400 cm
-------------------------	----------

Package 1 Weight	8.000 g
-------------------------	---------

Unit Type of Package 2	S01
-------------------------------	-----

Number of Units in Package 2	80
-------------------------------------	----

Package 2 Height	15.000 cm
-------------------------	-----------

Package 2 Width	15.000 cm
------------------------	-----------

Package 2 Length	40.000 cm
-------------------------	-----------

Package 2 Weight	788.000 g
-------------------------	-----------

Offer Sustainability

Sustainable offer status	Green Premium product
---------------------------------	-----------------------

REACH Regulation	REACH Declaration
-------------------------	-----------------------------------

REACH free of SVHC	Yes
---------------------------	-----

EU RoHS Directive	Pro-active compliance (Product out of EU RoHS legal scope) EU RoHS Declaration
--------------------------	---

Toxic heavy metal free	Yes
-------------------------------	-----

Mercury free	Yes
---------------------	-----

China RoHS Regulation	China RoHS declaration
------------------------------	--

RoHS exemption information	Yes
-----------------------------------	---------------------

Environmental Disclosure	Product Environmental Profile
---------------------------------	---

Circularity Profile	End of Life Information
----------------------------	---

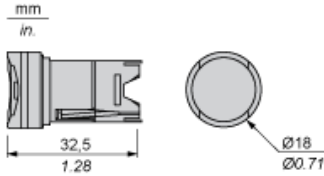
California proposition 65	WARNING: This product can expose you to chemicals including: Di-isodecyl phthalate (DIDP), which is known to the State of California to cause birth defects or other reproductive harm. For more information go to www.P65Warnings.ca.gov
----------------------------------	---

Contractual warranty

Warranty	18 months
-----------------	-----------

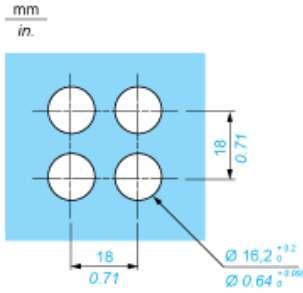
Circular Head for Illuminated or Non Illuminated Pushbutton

Dimensions

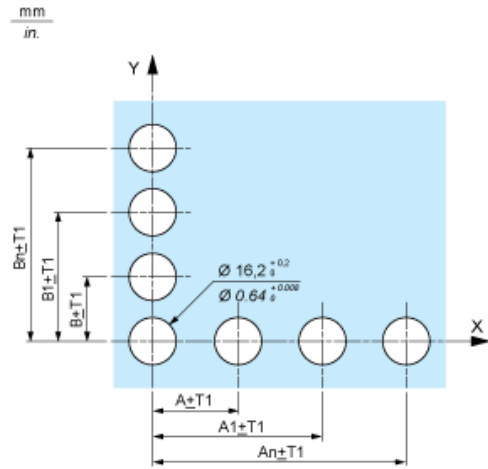


Panel Cut-out

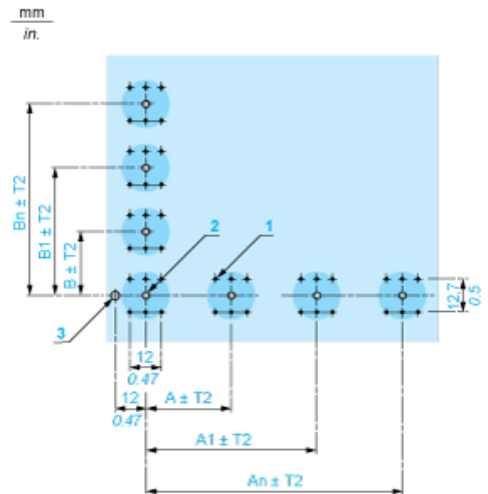
For Square or Circular Head



Front Panel Cut-out (Viewed from Installer's Side)



Printed Circuit Board Drillings (Viewed from Electrical Block Side)



A 24 mm/0.94 in. minimum for rectangular heads, 18 mm/0.71 in. minimum for square or circular heads

B 18 mm/0.71 in. minimum

(1) 6 x $\varnothing 1.1$ mm / 6 x $\varnothing 0.04$ in. holes.

(2) 1 x $\varnothing 2.6^{0}_{-0.2}$ mm / 1 x $\varnothing 0.10^{0}_{-0.008}$ in. hole for locating pin, only when using socket adaptor ZB6Y010.

(3) 1 x $\varnothing 3.2^{0}_{-0.2}$ mm / 1 x $\varnothing 0.13^{0}_{-0.008}$ in. hole for fixing of printed circuit board onto the front panel using body bracket ZB6Y011. This hole must be

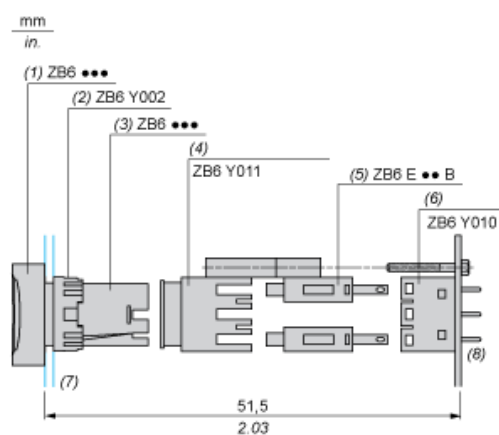
General tolerances of the panel and printed circuit board: T1, T2: T1 + T2 = 0.3 mm/0.01 in. maximum.

Installation precautions:

Thickness of printed circuit board: 1.6 mm/0.06 in. minimum.

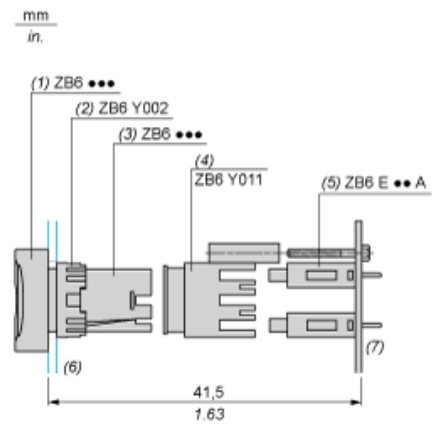
Mounting with Body Bracket

With socket adaptor ZB6Y010



- (1) Head
- (2) Nut
- (3) Body
- (4) Body bracket
- (5) Contact block
- (6) Socket adaptor
- (7) Panel
- (8) Printed circuit

Direct mounting without socket adaptor ZB6Y010



- (1) Head
- (2) Nut
- (3) Body
- (4) Body bracket
- (5) Contact block
- (6) Panel
- (7) Printed circuit

Recommended replacement(s)