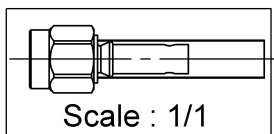
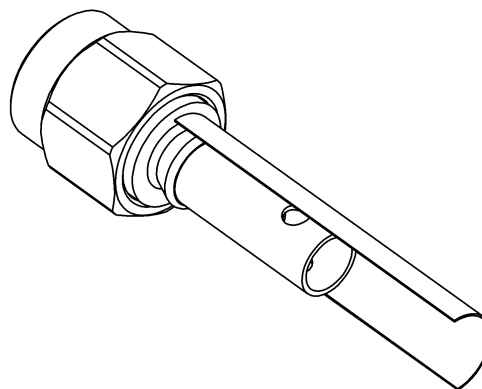
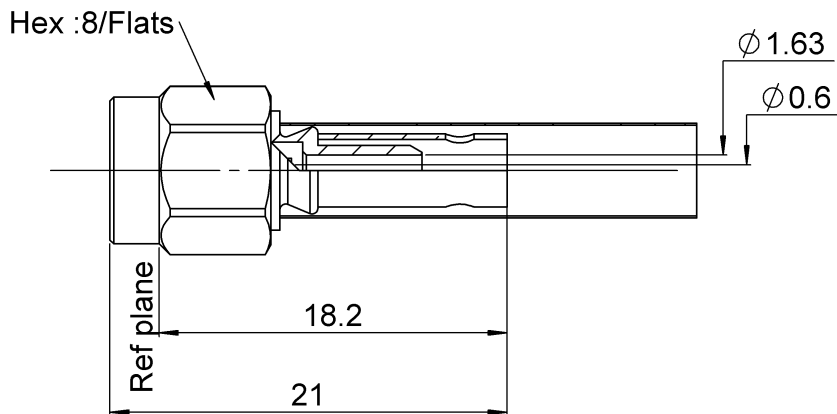
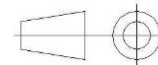


| | | | |
|----------|-----------------|------------|------------------------|
| PAGE 1/2 | ISSUE 03-07-15D | SERIES SMA | PART NUMBER R125072000 |
|----------|-----------------|------------|------------------------|



All dimensions are in mm.



| COMPONENTS | MATERIALS | PLATING (µm) |
|----------------|-------------------------|-------------------------------|
| Body | STAINLESS STEEL. | GOLD 0.5 OVER NICKEL 2 |
| Center contact | BRASS | GOLD 1.3 OVER NICKEL2 |
| Outer contact | - | - |
| Insulator | PTFE | |
| Gasket | SILICONE RUBBER | |
| Others parts | STAINLESS STEEL. | GOLD 0.5 OVER NICKEL 2 |
| - | - | - |
| - | - | - |

| | | | |
|-----------------|------------------------|-------------------|-------------------------------|
| PAGE 2/2 | ISSUE 03-07-15D | SERIES SMA | PART NUMBER R125072000 |
|-----------------|------------------------|-------------------|-------------------------------|

PACKAGING

| | | |
|------------|-------------------|-------------------|
| Standard | Unit | Other |
| 100 | Contact us | Contact us |

ELECTRICAL CHARACTERISTICS

| | | |
|---------------------------------|----------------------|------------------|
| Impedance | 50 | Ω |
| Frequency | 0-12.4 | GHz |
| VSWR | 1.15 + 0,0200 | x F(GHz) Maxi |
| Insertion loss | 0.06 | √F(GHz) dB Maxi |
| RF leakage | - (60) | - F(GHz) dB Maxi |
| Voltage rating | 250 | Veff Maxi |
| Dielectric withstanding voltage | 750 | Veff mini |
| Insulation resistance | 5000 | MΩ mini |

MECHANICAL CHARACTERISTICS

| | | |
|----------------------------|---------------|-------------|
| Center contact retention | | |
| Axial force – Mating End | NA | N mini |
| Axial force – Opposite end | 27 | N mini |
| Torque | NA | N.cm mini |
| Recommended torque | | |
| Mating | 100 | N.cm |
| Panel nut | NA | N.cm |
| Clamp nut | NA | N.cm |
| A/F clamp nut | 0,0000 | mm |
| Mating life | 500 | Cycles mini |
| Weight | 2,8910 | g |

ENVIRONMENTAL

| | | |
|-----------------------|-----------------|-----------|
| Operating temperature | -65/+165 | °C |
| Hermetic seal | NA | Atm.cm3/s |
| Panel leakage | NA | |

SPECIFICATION

CABLE ASSEMBLY

| Stripping | a | b | c | d | e | f |
|-----------|----------|----------|------------|----------|------------|----------|
| mm | 2 | 6 | 9,5 | 0 | 7,5 | 0 |

Assembly instruction: **Crimp 01**

Recommended cable(s)

KX 22A
RG 188
RG 316

Characteristics indicated on this data sheet are those that can be achieved with the highest performance cable. Intrinsic limitations of the cable may diminish the performance of the assembly

Cable retention

| | | |
|------------|-----------|--------|
| - pull off | 90 | N mini |
| - torque | NA | N.cm |

TOOLING

| Part Number | Description | Hexagon |
|-------------|---------------------------|---------|
| R282293000 | CRIMPING TOOL M22520/5-01 | - |
| R282235003 | CRIMPING DIES M22520/5-03 | 3.25 |
| Or - (ou) | | |
| R282211000 | CRIMPING TOOL | 3.25 |

OTHER CHARACTERISTICS

-