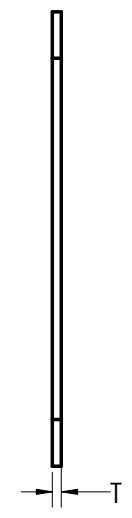
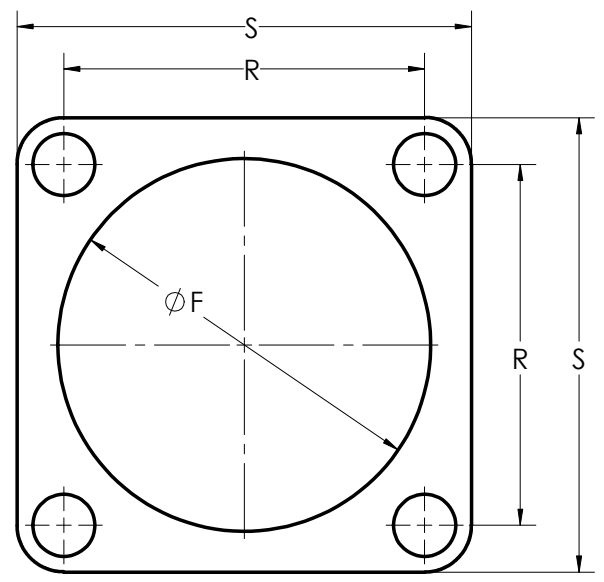


# CUSTOMER DRAWING

GENERAL TOLERANCE					
DIM.RANGE	0.5 - 3	>3-6	>6-30	>30-120	>120-400
TOLERANCE	±0.1	±0.1	±0.2	±0.3	±0.5

REVISION		
REV.	DESCRIPTION	DATE
PA1	NEW RELEASE	2017-3-9
PA2	UPDATED DRAWING	2017/4/5

P/N	R±0.3	S±0.3	F +0.5/-0	T±0.2
10-101949-06	11.91	17.48	9.53	0.61
10-101949-08	15.08	20.62	12.7	0.61
10-101949-10	18.26	23.82	15.88	0.61
10-101949-12	20.65	26.19	19.05	1.40
10-101949-14	23.01	28.58	22.23	0.61
10-101949-16	24.61	30.96	25.40	0.61
10-101949-18	27.00	33.32	28.58	0.61
10-101949-20	29.36	36.53	31.75	0.61
10-101949-22	31.75	39.70	34.93	0.61
10-101949-24	34.93	42.88	38.10	0.61



1. THE REFERENCED PRODUCT IS IN COMPLIANCE WITH THE MAXIMUM CONCENTRAT VALUES (MCVS), AS SET BY RoHS 2.0 DIRECTIVE 2011/65/EU AND ANNEX II AMENDMENT DIRECTIVE (EU)2015/863

**NOTES:**

THIS DOCUMENT CONTAINS PROPRIETARY INFORMATION AND SUCH INFORMATION MAY NOT BE DISCLOSED TO OTHERS FOR ANY PURPOSE OR USED FOR MANUFACTURING PURPOSES WITHOUT WRITTEN PERMISSION FROM THE AMPHENOL CORP.

UNLESS OTHERWISE SPECIFIED	APPROVALS	DATE
LINEAR DIMENSIONS ARE IN: <b>MILLIMETERS</b> TOLERANCES: ANGLES= ±2° DEFAULT LINEAR TOLERANCES SEE TABLE  DIM. & TOL. PER ASME Y14.5M-1994; DRM PER MIL-DTL-31000; OTHER AMPHENOL STANDARDS: 9-3800  LEGENDS: =FLAG NOTE CALL OUT REFERENCE  THIRD ANGLE PROJECTION	PREPARED BY: Peter.ling	Apr-05-17
	ENGINEER IN CHANGE: Peter.ling	
	DESIGN MANAGER: Ran.Xiao	
	PRODUCT GROUP: C&3	
	AIPG DIVISION:	
	MATERIAL SPEC	PROCESS SPEC

<b>AMPHENOL INDUSTRIAL OPERATIONS</b>			
Amphenol Technology(Zhuhai)Co.,Ltd No.63, Xingnan Road, Sanzao Town, Jinwan, Zhuhai, PRC			
<b>GASKET,FLAT ELECTRICAL CONNECTOR</b>			
SIZE	CAGE CODE	DOCUMENT NUMBER	REV
C	<b>77820</b>	<b>10-101949-( )</b>	<b>PA2</b>
SCALE:	REF:	SHEET 1 OF 1	

DOCUMENT NO. 10-101949-( ) SHEET 1 OF 1 REV. PA2

C

B

A

D

C

REV. PA2

SHEET 1 OF 1

DOCUMENT NO. 10-101949-( )

U A

3

2

1