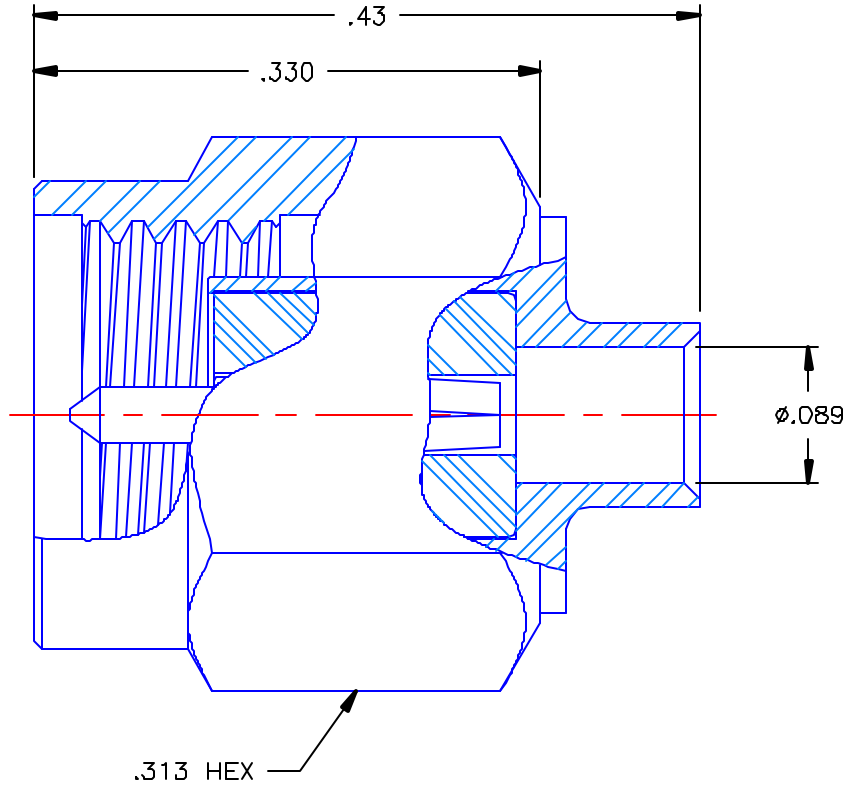


REVISIONS			
REV	DESCRIPTION	DATE	APPROVED
-	INITIAL RELEASE	02/02/05	E.C.C.

PROPRIETARY INFORMATION
 NOT TO BE RELEASED
 WITHOUT WRITTEN PERMISSION
 FROM AN AUTHORIZED
 REPRESENTATIVE OF
 APPLIED ENGINEERING PRODUCTS



NOTES:

MATERIALS:

1. BODY & COUPLING NUT = STAINLESS STEEL PER ASTM A582, ALLOY 303, CONDITION "A".
2. INSULATOR = VIRGIN WHITE TEFLON PER ASTM D1710, GRADE 1, TYPE I, CLASS "B".
3. CONTACT & RETAINING RING = BERYLLIUM COPPER PER ASTM B196, ALLOY C17300, TEMPER TD04.
4. GASKET = SILICONE RUBBER PER ZZ-R-765, CLASS 2B, GRADE 65-75

FINISHES:

1. BODY = NICKEL PLATE PER QQ-N-290, CLASS 1, GRADE G, EXCEPT .0001 TO .0002 THICK OVER .00005 TO .00010 THICK COPPER PER MIL-C-14550.
2. CONTACT = GOLD PLATE PER MIL-G-45204, TYPE II, CLASS 1, GRADE C, OVER .00010 TO .00020 STRESS FREE SULFAMATE NICKEL PER QQ-N-290.
3. COUPLING NUT = PASSIVATE PER QQ-P-35, TYPE VI.

UNLESS OTHERWISE SPECIFIED DIMENSIONS ARE IN INCHES TOLERANCES ON	DWN. E.C.C.	DATE 01/31/05		APPLIED ENGINEERING PRODUCTS	
	CHKD: G.L.	DATE 02/02/05		104 John W. Murphy Dr. New Haven, CT 06513	
DECIMAL	ANGLE	APVD: D.J.C.	DATE 02/02/05	SMA STRAIGHT PLUG DIRECT SOLDER TYPE FOR .085 S/R CABLE	
REFERENCE:	MATERIALS & FINISHES: SEE NOTES	SIZE A	FSCM NO. 19505	DWG NO. 9401-7583-010	REV -
ORIGINATOR: E.C.C. DATE: 01/31/05		SCALE 8:1			SHEET 1 OF 1

9401-7583-010