

# CES-SRG-BK-12 - Cable sleeve



0801617

<https://www.phoenixcontact.com/in/products/0801617>

Please be informed that the data shown in this PDF document is generated from our Online Catalog. Please find the complete data in the user documentation. Our General Terms of Use for Downloads are valid.



Cable sleeve, small, no. of conductors: 1, type: Round cable, slotted, external cable diameter: 1x 11 mm ... 12 mm, material: NBR, color: black, length: 29.5 mm, width: 19.5 mm, height: 17 mm

## Product Description

Slotted cable sleeve

## Commercial Data

Item number	0801617
Packing unit	10 pc
Minimum order quantity	10 pc
Sales Key	BF7
Product Key	BF7CCX
Catalog Page	Page 678 (C-2-2019)
GTIN	4046356674713
Weight per Piece (including packing)	7.115 g
Weight per Piece (excluding packing)	6.54 g
Customs tariff number	40169997
Country of origin	TW

# CES-SRG-BK-12 - Cable sleeve

0801617

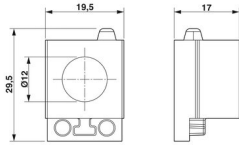
<https://www.phoenixcontact.com/in/products/0801617>

## Technical Data

### Product properties

Product type	Cable sleeve
No. of conductors	1

### Dimensions

Dimensional drawing	
Width	19.5 mm
Height	17 mm
Length	29.5 mm

### Material specifications

Color	black
Material	NBR

### Cable/line

External cable diameter	1x 11 mm ... 12 mm
-------------------------	--------------------

### Characteristics

Seal size	small
Design, Format	Round cable
Design, Cable seal	slotted

### Environmental and real-life conditions

#### Ambient conditions

Degree of protection	IP54
Ambient temperature (operation)	-40 °C ... 125 °C (static)

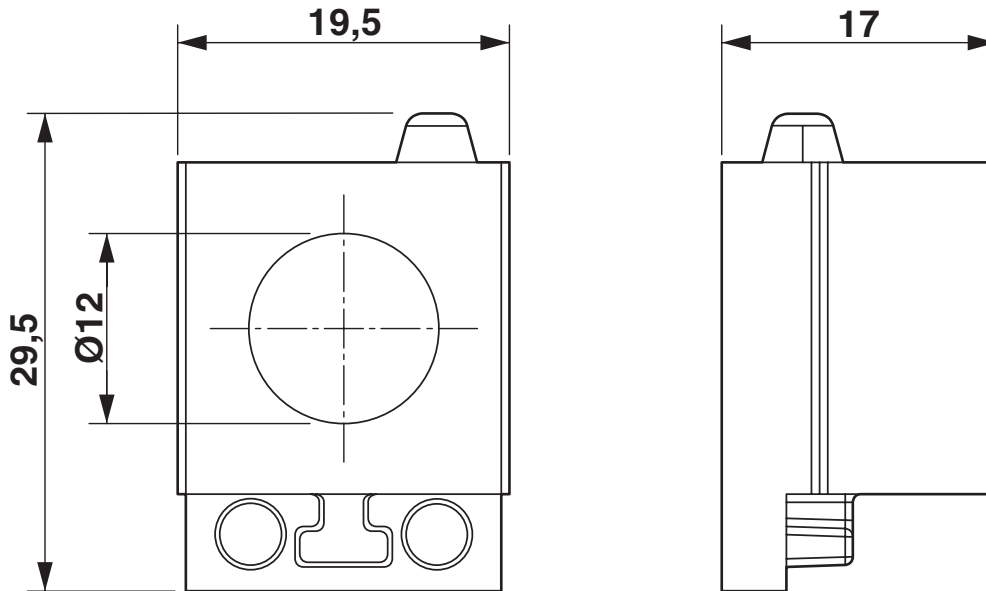
# CES-SRG-BK-12 - Cable sleeve

0801617

<https://www.phoenixcontact.com/in/products/0801617>

## Drawings

Dimensional drawing



Dimensional drawing

# CES-SRG-BK-12 - Cable sleeve



0801617

<https://www.phoenixcontact.com/in/products/0801617>

## Classifications

### ECLASS

ECLASS-11.0	27144425
ECLASS-12.0	27144425
ECLASS-13.0	27144425

### ETIM

ETIM 8.0	EC000451
----------	----------

### UNSPSC

UNSPSC 21.0	39121400
-------------	----------

# CES-SRG-BK-12 - Cable sleeve



0801617

<https://www.phoenixcontact.com/in/products/0801617>

## Environmental Product Compliance

China RoHS	Environmentally friendly use period: unlimited = EFUP-e
	No hazardous substances above threshold values

# CES-SRG-BK-12 - Cable sleeve

0801617

<https://www.phoenixcontact.com/in/products/0801617>



## Accessories

### KDT-ST 12 - Filler plugs

3062016

<https://www.phoenixcontact.com/in/products/3062016>

Filler plugs, material: PA, length: 20 mm, diameter: 12 mm



---

### CES-B10-HFFS-PLBK - Sealing frame

0801663

<https://www.phoenixcontact.com/in/products/0801663>

Sealing frame with locking latch, size B10, with flat gasket, for 6 small sleeves



# CES-SRG-BK-12 - Cable sleeve

0801617

<https://www.phoenixcontact.com/in/products/0801617>



## CES-B16-HFFS-PLBK - Sealing frame

0801662

<https://www.phoenixcontact.com/in/products/0801662>



Sealing frame with locking latch, size B16, with flat gasket, for 8 small sleeves

---

## CES-B24-HFFS-PLBK - Sealing frame

0801661

<https://www.phoenixcontact.com/in/products/0801661>



Sealing frame with locking latch, size B24, with flat gasket, for 10 small sleeves

# CES-SRG-BK-12 - Cable sleeve

0801617

<https://www.phoenixcontact.com/in/products/0801617>



## CES-B10-SFFS-PLBK - Sealing frame

0801660

<https://www.phoenixcontact.com/in/products/0801660>



Sealing frame with screw locking, size B10, with flat gasket, for 6 small sleeves

---

## CES-B16-SFFS-PLBK - Sealing frame

0801659

<https://www.phoenixcontact.com/in/products/0801659>



Sealing frame with screw locking, size B16, with flat gasket, for 8 small sleeves



# CES-SRG-BK-12 - Cable sleeve

0801617

<https://www.phoenixcontact.com/in/products/0801617>



## CES-B24-SFFS-PLBK - Sealing frame

0801658

<https://www.phoenixcontact.com/in/products/0801658>



Sealing frame with screw locking, size B24, with flat gasket, for 10 small sleeves

---

Phoenix Contact 2023 © - all rights reserved

<https://www.phoenixcontact.com>

PHOENIX CONTACT (I) Pvt. Ltd.

A-58/2, Okhla Industrial Area, Phase - II, New Delhi-110 020

+91.1275.71420

[info@phoenixcontact.co.in](mailto:info@phoenixcontact.co.in)