

VDFK 4 - Panel feed-through terminal block



0708250

<https://www.phoenixcontact.com/in/products/0708250>

Please be informed that the data shown in this PDF document is generated from our Online Catalog. Please find the complete data in the user documentation. Our General Terms of Use for Downloads are valid.



Panel feed-through terminal block, connection method: Screw connection with tension sleeve, Solder connection, number of positions: 1, load current: 32 A, cross section: 0.2 mm² - 6 mm², AWG 24 - 10, connection direction of the conductor to plug-in direction: 0 °, width: 10 mm

Your advantages

- Well-known connection principle allows worldwide use
- Low temperature rise, thanks to maximum contact force

Commercial Data

Item number	0708250
Packing unit	50 pc
Minimum order quantity	50 pc
Sales Key	AA1
Product Key	AA1ACB
Catalog Page	Page 643 (C-1-2013)
GTIN	4017918004576
Weight per Piece (including packing)	4.011 g
Weight per Piece (excluding packing)	4.011 g
Customs tariff number	85369010
Country of origin	PL

VDFK 4 - Panel feed-through terminal block



0708250

<https://www.phoenixcontact.com/in/products/0708250>

Technical Data

Product properties

Product type	Panel feed-through terminal block
Product family	VDFK 4
Number of positions	1
Pitch	10 mm
Number of connections	2
Number of rows	1
Number of potentials	1

Insulation characteristics

Overvoltage category	III
Degree of pollution	3

Electrical properties

Nominal current I_N	32 A
Nominal voltage U_N	500 V
Degree of pollution	3
Rated voltage (III/3)	500 V
Rated surge voltage (III/3)	6 kV

Connection data

Connection technology

Connector system	VDFK 4
Nominal cross section	4 mm ²

Conductor connection exterior

Connection method	Screw connection with tension sleeve
Connection direction of the conductor to plug-in direction	0 °
Conductor cross section rigid	0.2 mm ² ... 6 mm ²
Conductor cross section flexible	0.2 mm ² ... 4 mm ²
Conductor cross section AWG	24 ... 10
Conductor cross section flexible, with ferrule without plastic sleeve	0.25 mm ² ... 4 mm ²
Conductor cross section, flexible, with ferrule, with plastic sleeve	0.25 mm ² ... 4 mm ²
2 conductors with same cross section, solid	0.2 mm ² ... 1.5 mm ²
2 conductors with same cross section, flexible	0.2 mm ² ... 1.5 mm ²
2 conductors with same cross section, flexible, with ferrule without plastic sleeve	0.25 mm ² ... 1.5 mm ²
2 conductors with the same cross section, flexible, with TWIN ferrule with plastic sleeve	0.5 mm ² ... 2.5 mm ²
Internal cylindrical gage	A4
Stripping length	8 mm
Tightening torque	0.6 Nm ... 0.8 Nm

VDFK 4 - Panel feed-through terminal block



0708250

<https://www.phoenixcontact.com/in/products/0708250>

Conductor connection interior

Connection method	Solder connection
Connection direction of the conductor to plug-in direction	0 °

Mounting

Plate thickness	1 mm ... 4 mm
-----------------	---------------

Material specifications

Material data - contact

Note	WEEE/RoHS-compliant, free of whiskers according to IEC 60068-2-82/JEDEC JESD 201
Contact material	Cu alloy
Surface characteristics	tin-plated

Material data - housing

Color (Housing)	gray (7042)
Insulating material	PA
Insulating material group	I
CTI according to IEC 60112	600
Flammability rating according to UL 94	V0
Glow wire flammability index GWFI according to EN 60695-2-12	850
Glow wire ignition temperature GWIT according to EN 60695-2-13	775
Temperature for the ball pressure test according to EN 60695-10-2	125 °C

Material data – actuating element

Color ()	()
----------	----

Notes

Safety note

Safety note	<ul style="list-style-type: none">• WARNING: Only electrically qualified personnel may install and operate the product. They must observe the following safety notes. The qualified personnel must be familiar with the basics of electrical engineering. They must be able to recognize and prevent danger. The relevant symbol on the packaging indicates that only personnel familiar with electrical engineering are allowed to install and operate the product.• The installation notes/Design In documents online on the download page at phoenixcontact.com/products must be observed for this product.• The cable entry funnel is not safe to touch. Never connect or disconnect the terminal when it is energized. Take appropriate steps to ensure touch protection.• To maintain the nominal voltage, cast the terminals on the inside. <p><input type="checkbox"/> There is no electrical contact to the housing. Make sure that protective grounding is provided for green/yellow color variants</p>
-------------	---

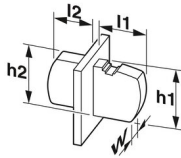
VDFK 4 - Panel feed-through terminal block

0708250

<https://www.phoenixcontact.com/in/products/0708250>

and articles marked with PE.

Dimensions

Dimensional drawing	
Pitch	10 mm
Width [w]	10 mm
Height [h]	20.5 mm
Length [l]	25.5 mm

External dimensions

Height [h1]	20.5 mm
Length [l1]	10.9 mm

Internal dimensions

Height [h2]	9.8 mm
Length [l2]	13.6 mm

Electrical tests

Air clearances and creepage distances | 1. Insulation coordination

Application	Internal part molded
Insulating material group	I
Comparative tracking index (IEC 60112)	CTI 600
Rated insulation voltage (III/3)	500 V
Rated surge voltage (III/3)	6 kV
minimum clearance value - non-homogenous field (III/3)	5.5 mm
minimum creepage distance (III/3)	6.3 mm

Packaging specifications

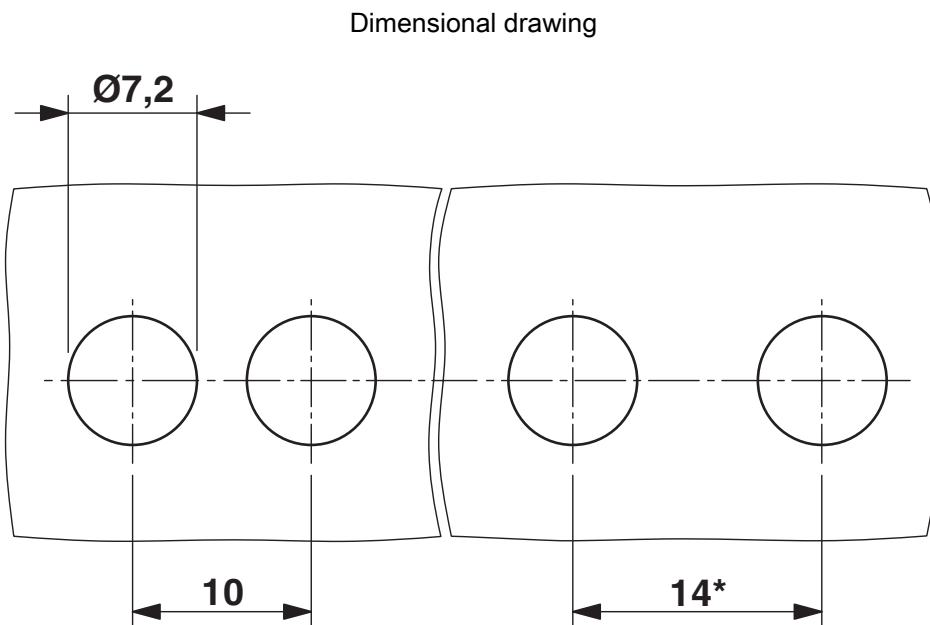
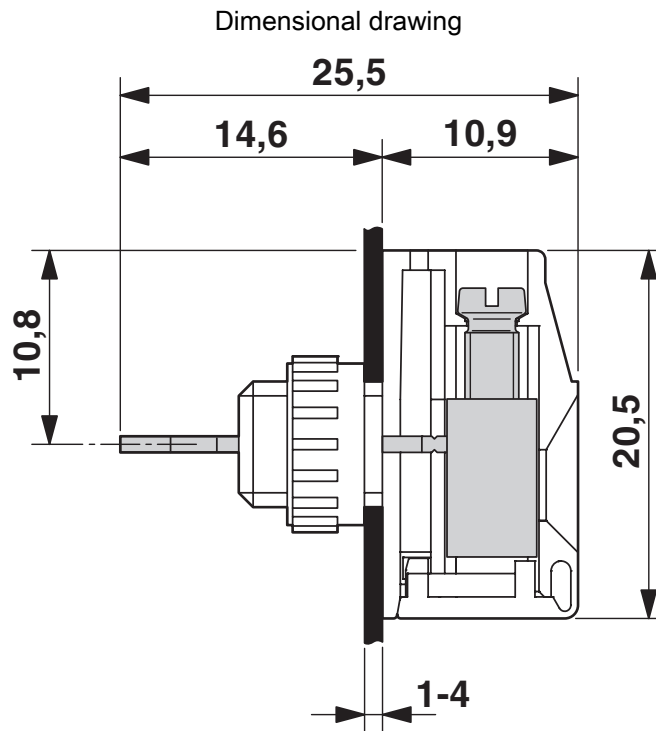
Type of packaging	packed in cardboard
-------------------	---------------------

VDFK 4 - Panel feed-through terminal block

0708250

<https://www.phoenixcontact.com/in/products/0708250>

Drawings



* Dimensions when using the DP-VDFK 4/4 spacer plate


VDFK 4 - Panel feed-through terminal block




0708250


<https://www.phoenixcontact.com/in/products/0708250>


Approvals


 CSA Approval ID: 13631				
	Nominal Voltage U_N	Nominal Current I_N	Cross Section AWG	Cross Section mm^2
	300 V	30 A	28 - 10	-
	150 V	30 A	28 - 10	-
	300 V	10 A	28 - 10	-


 IECEE CB Scheme Approval ID: NL-29947				
	Nominal Voltage U_N	Nominal Current I_N	Cross Section AWG	Cross Section mm^2
	500 V	32 A	-	- 4

 EAC Approval ID: B.01687				
---	--	--	--	--

 cULus Recognized Approval ID: E60425-19770427				
	Nominal Voltage U_N	Nominal Current I_N	Cross Section AWG	Cross Section mm^2
	300 V	30 A	30 - 10	-
	150 V	30 A	30 - 10	-
	300 V	10 A	30 - 10	-

 KEMA-KEUR Approval ID: 2169260.01				
	Nominal Voltage U_N	Nominal Current I_N	Cross Section AWG	Cross Section mm^2
	500 V	32 A	-	- 4

 ATEX Approval ID: KEMA 04ATEX2210 U				
---	--	--	--	--

 CCC Approval ID: 2020322313003276				
---	--	--	--	--

VDFK 4 - Panel feed-through terminal block



0708250

<https://www.phoenixcontact.com/in/products/0708250>

Classifications

ECLASS

ECLASS-11.0	27141134
ECLASS-13.0	27141134
ECLASS-12.0	27141134

ETIM

ETIM 8.0	EC001283
----------	----------

UNSPSC

UNSPSC 21.0	39121400
-------------	----------

VDFK 4 - Panel feed-through terminal block



0708250

<https://www.phoenixcontact.com/in/products/0708250>

Environmental Product Compliance

China RoHS	Environmentally friendly use period: unlimited = EFUP-e
	No hazardous substances above threshold values

VDFK 4 - Panel feed-through terminal block



0708250

<https://www.phoenixcontact.com/in/products/0708250>

Accessories

SZS 0,6X3,5 - Screwdriver

1205053

<https://www.phoenixcontact.com/in/products/1205053>



Actuation tool, for ST terminal blocks, insulated, also suitable for use as a bladed screwdriver, size: 0.6 x 3.5 x 100 mm, 2-component grip, with non-slip grip

DP-VDFK 4/4 - Spacer plate

0717144

<https://www.phoenixcontact.com/in/products/0717144>



Partition plate, Spacer plate, color: gray, product range: Accessories, width: 4 mm

Phoenix Contact 2023 © - all rights reserved

<https://www.phoenixcontact.com>

PHOENIX CONTACT (I) Pvt. Ltd.

A-58/2, Okhla Industrial Area, Phase - II, New Delhi-110 020

+91.1275.71420

info@phoenixcontact.co.in