

SPT-THR 1,5/ 4-V-3,5 P26 - PCB terminal block



1822338

<https://www.phoenixcontact.com/in/products/1822338>

Please be informed that the data shown in this PDF document is generated from our Online Catalog. Please find the complete data in the user documentation. Our General Terms of Use for Downloads are valid.



PCB terminal block, nominal current: 13.5 A, rated voltage (III/2): 160 V, nominal cross section: 1.5 mm², number of potentials: 4, number of rows: 1, number of positions per row: 4, product range: SPT 1,5/..-V-THR, pitch: 3.5 mm, connection method: Push-in spring connection, mounting: THR soldering, conductor/PCB connection direction: 90 °, color: black, Pin layout: Linear pinning, Solder pin [P]: 2.6 mm, number of solder pins per potential: 2, type of packaging: packed in cardboard. Suitable for CAT5

Your advantages

- Time saving push-in connection, tools not required
- Defined contact force ensures that contact remains stable over the long term
- Intuitive use through colour coded actuation lever
- Designed for integration into the SMT soldering process
- Operation and conductor connection from one direction enable integration into front of device
- Quick and convenient testing using integrated test option
- Two solder pins reduce the mechanical strain on the soldering spots

Commercial Data

Item number	1822338
Packing unit	250 pc
Minimum order quantity	250 pc
Sales Key	AAL
Product Key	AALCCG
Catalog Page	Page 11 (NTK-2014)
GTIN	4046356811958
Weight per Piece (including packing)	2.14 g
Weight per Piece (excluding packing)	2.04 g
Customs tariff number	85369010
Country of origin	PL

SPT-THR 1,5/ 4-V-3,5 P26 - PCB terminal block



1822338

<https://www.phoenixcontact.com/in/products/1822338>

Technical Data

Product properties

Product line	COMBICON Terminals S
Product type	Printed circuit board terminal
Product family	SPT 1,5/..-V-THR
Number of positions	4
Pitch	3.5 mm
Number of connections	4
Number of rows	1
Number of potentials	4
Pin layout	Linear pinning
Solder pins per potential	2

Electrical properties

Nominal current I_N	13.5 A
Nominal voltage U_N	160 V
Degree of pollution	3
Rated voltage (III/3)	160 V
Rated surge voltage (III/3)	2.5 kV
Rated voltage (III/2)	160 V
Rated surge voltage (III/2)	2.5 kV
Rated voltage (II/2)	320 V
Rated surge voltage (II/2)	2.5 kV

Connection data

Connection technology

Nominal cross section	1.5 mm ²
-----------------------	---------------------

Conductor connection

Connection method	Push-in spring connection
Conductor cross section rigid	0.2 mm ² ... 1.5 mm ²
Conductor cross section flexible	0.2 mm ² ... 1.5 mm ²
Conductor cross section AWG	24 ... 16
Conductor cross section flexible, with ferrule without plastic sleeve	0.2 mm ² ... 1.5 mm ²
Conductor cross section, flexible, with ferrule, with plastic sleeve	0.2 mm ² ... 0.75 mm ²
Stripping length	8 mm

Mounting

Mounting type	THR soldering
Pin layout	Linear pinning

Processing notes

SPT-THR 1,5/ 4-V-3,5 P26 - PCB terminal block



1822338

<https://www.phoenixcontact.com/in/products/1822338>

Process	Reflow/wave soldering
Moisture Sensitive Level	MSL 1
Classification temperature T_c	260 °C
Solder cycles in the reflow	3

Material specifications

Material data - contact

Note	WEEE/RoHS-compliant, free of whiskers according to IEC 60068-2-82/JEDEC JESD 201
Contact material	Cu alloy
Surface characteristics	hot-dip tin-plated
Metal surface terminal point (top layer)	Tin (4 - 8 μm Sn)
Metal surface soldering area (top layer)	Tin (4 - 8 μm Sn)

Material data - housing

Color (Housing)	black (9005)
Insulating material	LCP
Insulating material group	IIIa
CTI according to IEC 60112	175
Flammability rating according to UL 94	V0

Material data – actuating element

Color (Actuating element)	white (9010)
Insulating material	PA GF
Insulating material group	I
CTI according to IEC 60112	600
Flammability rating according to UL 94	V0

Notes

Note on application	The item is qualified for CAT5 Ethernet applications. For this reason, it is suited for use in IoT devices.
---------------------	---

Dimensions

Dimensional drawing	
Pitch	3.5 mm
Width [w]	14.5 mm
Height [h]	16.2 mm
Length [l]	7.7 mm
Installed height	13.6 mm
Solder pin length [P]	2.6 mm

SPT-THR 1,5/ 4-V-3,5 P26 - PCB terminal block



1822338

<https://www.phoenixcontact.com/in/products/1822338>

PCB design

Pin spacing	5.5 mm
-------------	--------

Mechanical tests

Connection test

Specification	IEC 60998-2-2:2002-12
Result	Test passed

Test for conductor damage and slackening

Specification	IEC 60998-2-2:2002-12
Result	Test passed

Pull-out test

Specification	IEC 60998-2-2:2002-12
Conductor cross section/conductor type/tractive force setpoint/actual value	0.2 mm ² / solid / > 10 N
	0.2 mm ² / flexible / > 10 N
	1.5 mm ² / solid / > 40 N
	1.5 mm ² / flexible / > 40 N

Flexion test

Specification	IEC 60998-2-2:2002-12
Result	Test passed

Electrical tests

Temperature-rise test

Specification	IEC 60998-2-1:2002-12
Requirement temperature-rise test	Increase in temperature ≤ 45 K

Insulation resistance

Specification	IEC 60998-1:2002-12
Insulation resistance, neighboring positions	> 5 MΩ

Air clearances and creepage distances |

Specification	IEC 60947-7-4:2013-08
Insulating material group	IIIa
Comparative tracking index (IEC 60112)	CTI 175
Rated insulation voltage (III/3)	160 V
Rated surge voltage (III/3)	2.5 kV
minimum clearance value - non-homogenous field (III/3)	1.5 mm
minimum creepage distance (III/3)	2.5 mm
Rated insulation voltage (III/2)	160 V
Rated surge voltage (III/2)	2.5 kV
minimum clearance value - non-homogenous field (III/2)	1.5 mm
minimum creepage distance (III/2)	1.6 mm
Rated insulation voltage (II/2)	320 V

SPT-THR 1,5/ 4-V-3,5 P26 - PCB terminal block



1822338

<https://www.phoenixcontact.com/in/products/1822338>

Rated surge voltage (II/2)	2.5 kV
minimum clearance value - non-homogenous field (II/2)	1.5 mm
minimum creepage distance (II/2)	3.2 mm

Environmental and real-life conditions

Vibration test

Specification	IEC 60068-2-6:2007-12
Frequency	10 - 150 - 10 Hz
Sweep speed	1 octave/min
Amplitude	0.35 mm (10 Hz ... 60.1 Hz)
Sweep speed	5g (60.1 Hz ... 150 Hz)
Test duration per axis	2.5 h

Glow-wire test

Specification	IEC 60998-1:2002-12
Temperature	850 °C
Time of exposure	5 s

Ambient conditions

Ambient temperature (operation)	-40 °C ... 100 °C (Depending on the current carrying capacity/derating curve)
Ambient temperature (storage/transport)	-40 °C ... 70 °C
Relative humidity (storage/transport)	30 % ... 70 %
Ambient temperature (assembly)	-5 °C ... 100 °C

Packaging specifications

Type of packaging	packed in cardboard
-------------------	---------------------

SPT-THR 1,5/ 4-V-3,5 P26 - PCB terminal block

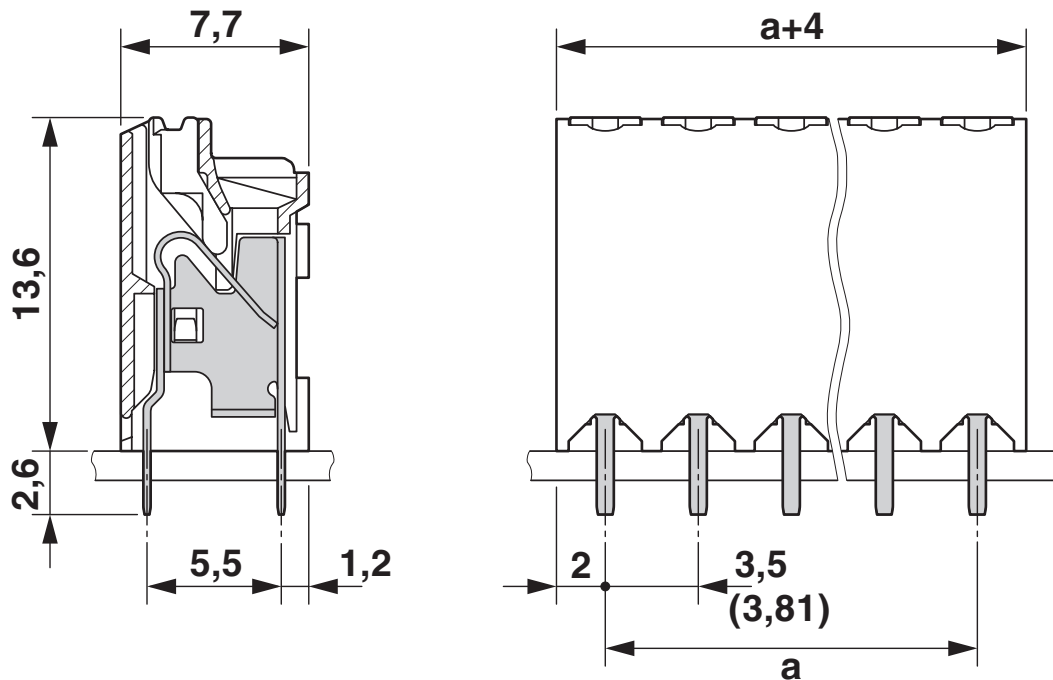


1822338

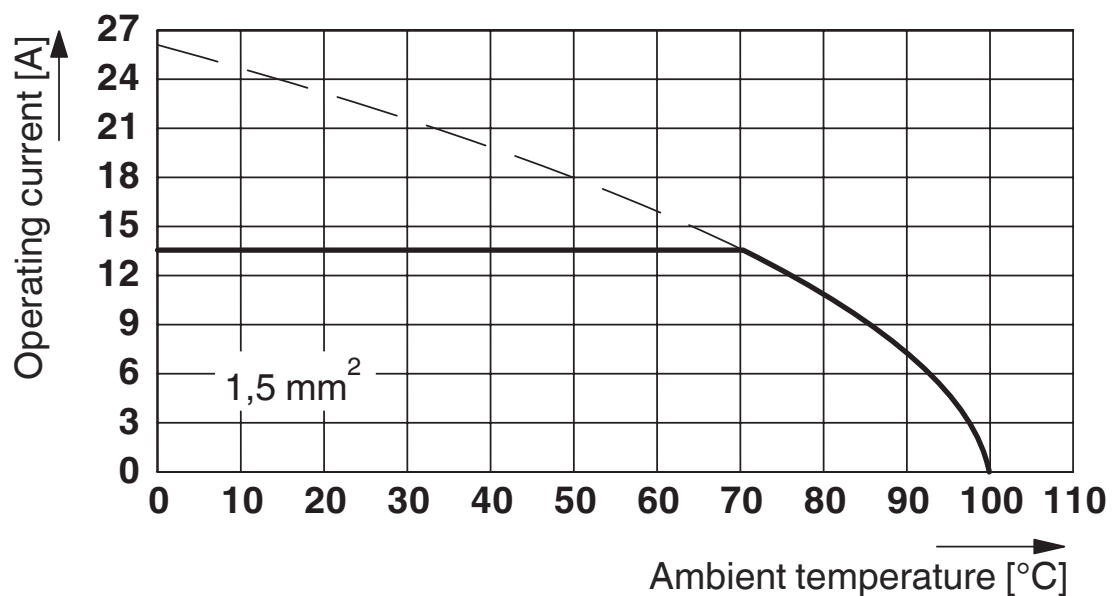
<https://www.phoenixcontact.com/in/products/1822338>

Drawings

Dimensional drawing



Diagram



Type: SPT-THR 1,5/ 5-V-3,5(3,81) P26

Tested according to DIN EN 60512-5-2:2003-01

Reduction factor = 1

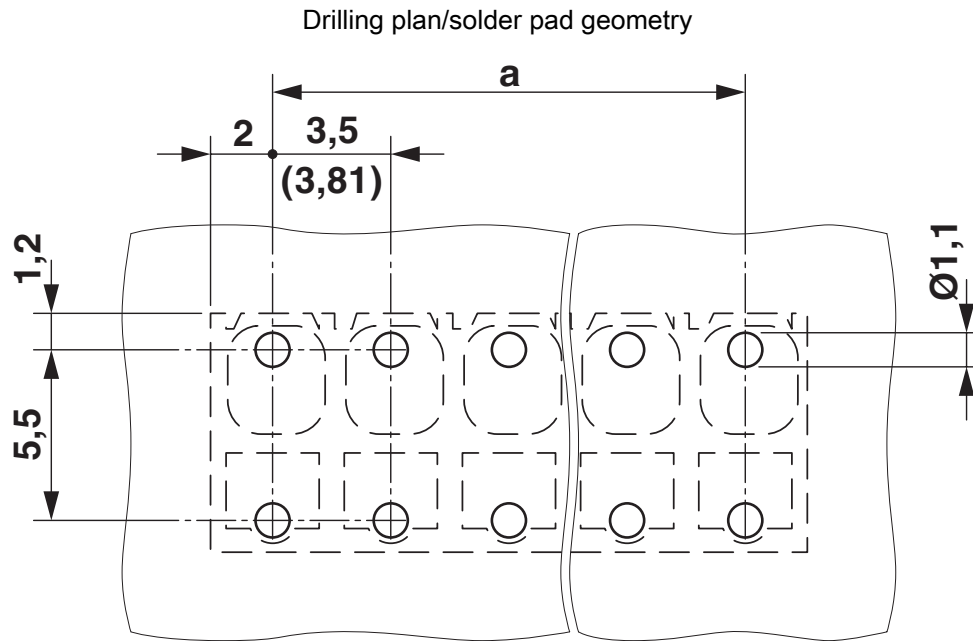
Number of positions: 5

SPT-THR 1,5/ 4-V-3,5 P26 - PCB terminal block



1822338

<https://www.phoenixcontact.com/in/products/1822338>



SPT-THR 1,5/ 4-V-3,5 P26 - PCB terminal block



1822338

<https://www.phoenixcontact.com/in/products/1822338>

Approvals



EAC

Approval ID: B.01687



cULus Recognized

Approval ID: E60425-20061129

	Nominal Voltage U_N	Nominal Current I_N	Cross Section AWG	Cross Section mm^2
	300 V	10 A	24 - 16	-
	300 V	10 A	24 - 16	-



VDE Zeichengenehmigung

Approval ID: 40046113

	Nominal Voltage U_N	Nominal Current I_N	Cross Section AWG	Cross Section mm^2
	160 V	13.5 A	-	0.2 - 1.5

SPT-THR 1,5/ 4-V-3,5 P26 - PCB terminal block



1822338

<https://www.phoenixcontact.com/in/products/1822338>

Classifications

ECLASS

ECLASS-11.0	27460101
ECLASS-12.0	27460101
ECLASS-13.0	27460101

ETIM

ETIM 8.0	EC002643
----------	----------

UNSPSC

UNSPSC 21.0	39121400
-------------	----------

SPT-THR 1,5/ 4-V-3,5 P26 - PCB terminal block



1822338

<https://www.phoenixcontact.com/in/products/1822338>

Environmental Product Compliance

China RoHS	Environmentally friendly use period: unlimited = EFUP-e
	No hazardous substances above threshold values

SPT-THR 1,5/ 4-V-3,5 P26 - PCB terminal block



1822338

<https://www.phoenixcontact.com/in/products/1822338>

Accessories

SZS 0,4X2,5 VDE - Screwdriver

1205037

<https://www.phoenixcontact.com/in/products/1205037>



Screwdriver, slot-headed, VDE insulated, size: 0.4 x 2.5 x 80 mm, 2-component grip, with non-slip grip

A 0,5 - 8 - Ferrule

3202481

<https://www.phoenixcontact.com/in/products/3202481>



Ferrule, length: 8 mm, color: silver

SPT-THR 1,5/ 4-V-3,5 P26 - PCB terminal block

1822338

<https://www.phoenixcontact.com/in/products/1822338>

A 0,75- 8 - Ferrule

3202504

<https://www.phoenixcontact.com/in/products/3202504>



Ferrule, length: 8 mm, color: silver

A 1 - 8 - Ferrule

3202517

<https://www.phoenixcontact.com/in/products/3202517>



Ferrule, length: 8 mm, color: silver

SPT-THR 1,5/ 4-V-3,5 P26 - PCB terminal block

1822338

<https://www.phoenixcontact.com/in/products/1822338>

AI 0,25- 8 YE - Ferrule

3203037

<https://www.phoenixcontact.com/in/products/3203037>



Ferrule, sleeve length: 8 mm, length: 12.5 mm, color: yellow

AI 0,5 - 8 WH - Ferrule

3200014

<https://www.phoenixcontact.com/in/products/3200014>



Ferrule, sleeve length: 8 mm, length: 14 mm, color: white

SPT-THR 1,5/ 4-V-3,5 P26 - PCB terminal block

1822338

<https://www.phoenixcontact.com/in/products/1822338>

AI 0,5 - 8 WH -1000 - Ferrule

3200881

<https://www.phoenixcontact.com/in/products/3200881>



Ferrule, sleeve length: 8 mm, length: 14 mm, color: white

AI 0,75- 8 GY - Ferrule

3200519

<https://www.phoenixcontact.com/in/products/3200519>



Ferrule, sleeve length: 8 mm, length: 14 mm, color: gray

SPT-THR 1,5/ 4-V-3,5 P26 - PCB terminal block

1822338

<https://www.phoenixcontact.com/in/products/1822338>



AI 0,75- 8 GY -1000 - Ferrule

3200894

<https://www.phoenixcontact.com/in/products/3200894>



Ferrule, sleeve length: 8 mm, length: 14 mm, color: gray

CRIMPFOX 6 - Crimping pliers

1212034

<https://www.phoenixcontact.com/in/products/1212034>



Crimping pliers, for ferrules without insulating collar according to DIN 46228 Part 1 and ferrules with insulating collar according to DIN 46228 Part 4, 0.25 mm² ... 6.0 mm², lateral entry, trapezoidal crimp

SPT-THR 1,5/ 4-V-3,5 P26 - PCB terminal block

1822338

<https://www.phoenixcontact.com/in/products/1822338>



MPS-MT 1-S4-B RD - Accessories

1982800

<https://www.phoenixcontact.com/in/products/1982800>

Test plug terminal block, Accessories



SH-PCB 6 - Shield connection clamp

1322664

<https://www.phoenixcontact.com/in/products/1322664>



Shield connection, Shield connection clamp, connection method: Spring-cage connection, product range: Accessories, width: 11 mm

Phoenix Contact 2023 © - all rights reserved
<https://www.phoenixcontact.com>

PHOENIX CONTACT (I) Pvt. Ltd.
A-58/2, Okhla Industrial Area, Phase - II, New Delhi-110 020

+91.1275.71420
info@phoenixcontact.co.in