

# SACC-M 8MS-3CON-M-SW - Connector



1501252

<https://www.phoenixcontact.com/in/products/1501252>

Please be informed that the data shown in this PDF document is generated from our Online Catalog. Please find the complete data in the user documentation. Our General Terms of Use for Downloads are valid.



Connector, Universal, 3-position, Plug straight M8, A, Screw connection, knurl material: Nickel-plated brass, external cable diameter 3.5 mm ... 5 mm

## Your advantages

- Safe use in the field, thanks to a high degree of protection
- Screw connection: proven connection technology for a large selection of different conductors

## Commercial Data

Item number	1501252
Packing unit	1 pc
Minimum order quantity	1 pc
Sales Key	BF2
Product Key	BF2BAA
Catalog Page	Page 17 (C-2-2019)
GTIN	4017918612795
Weight per Piece (including packing)	11.025 g
Weight per Piece (excluding packing)	8.7 g
Customs tariff number	85366990
Country of origin	DE

# SACC-M 8MS-3CON-M-SW - Connector



1501252

<https://www.phoenixcontact.com/in/products/1501252>

## Technical Data

### Notes

Assembly instruction:

**NOTE:** Observe the permissible bending radii when laying conductors, since the degree of protection may be put in jeopardy if the bending forces are too high. Alleviate mechanical loads upstream of the connector, e.g. by using cable ties.

### Mounting

Assembly instructions

The wires can be connected both with ferrules (without insulation) and without ferrules.

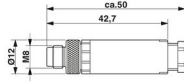
### Product properties

Product type	Circular connector (cable-side)
Number of positions	3
No. of cable outlets	1
Shielded	no
Coding	A

### Insulation characteristics

Overvoltage category	III
Degree of pollution	3

### Dimensions

Dimensional drawing	
Width	12 mm
Height	12 mm
Length	50 mm

### External dimensions

Outside diameter	3.5 mm ... 5 mm
------------------	-----------------

### Housing

Diameter housing	12 mm
------------------	-------

### Material specifications

Flammability rating according to UL 94	HB
Seal material	NBR
Material of grip body	PBT
Contact material	CuZn
Contact surface material	Au
Contact carrier material	PA

# SACC-M 8MS-3CON-M-SW - Connector



1501252

<https://www.phoenixcontact.com/in/products/1501252>

Material for screw connection	Nickel-plated brass
-------------------------------	---------------------

## Connection data

### Conductor connection

Connection method	Screw connection
Connection cross section	0.14 mm <sup>2</sup> ... 0.5 mm <sup>2</sup> (without ferrule)
	0.08 mm <sup>2</sup> ... 0.5 mm <sup>2</sup> (with ferrule)
	0.14 mm <sup>2</sup> ... 0.5 mm <sup>2</sup> (solid)
Connection cross section AWG	26 ... 20 (without ferrule)
Stripping length of the individual wire	4 mm
Tightening torque	0.2 Nm (M8 knurl)
	0.5 Nm (Connector with coupling sleeve)
	0.3 Nm ... 0.4 Nm (Pressure screw for outer cable diameter 3 mm ... 4 mm)
	0.8 Nm ... 1 Nm (Pressure screw in the case of external cable diameter 4 mm ... 5 mm)
	0.1 Nm (Screw terminal blocks)

## Electrical properties

Rated surge voltage	1.5 kV
Contact resistance	≤ 3 mΩ
Insulation resistance	≥ 100 MΩ
Nominal voltage U <sub>N</sub>	48 V AC
	60 V DC
Nominal current I <sub>N</sub>	4 A

## Mechanical properties

### Mechanical data

Insertion/withdrawal cycles	≥ 100
-----------------------------	-------

## Connector

### Connection 1

Head design	Plug
Head cable outlet	straight
Head thread type	M8
Coding	A

## Cable/line

Signal type/category	Universal
Stripping length of the individual wire	4 mm

## Environmental and real-life conditions

### Ambient conditions

# SACC-M 8MS-3CON-M-SW - Connector



1501252

<https://www.phoenixcontact.com/in/products/1501252>

Degree of protection	IP67
Ambient temperature (operation)	-40 °C ... 85 °C (Plug / socket)

## Standards and regulations

M8

Standards/specifications	IEC 61076-2-104
--------------------------	-----------------

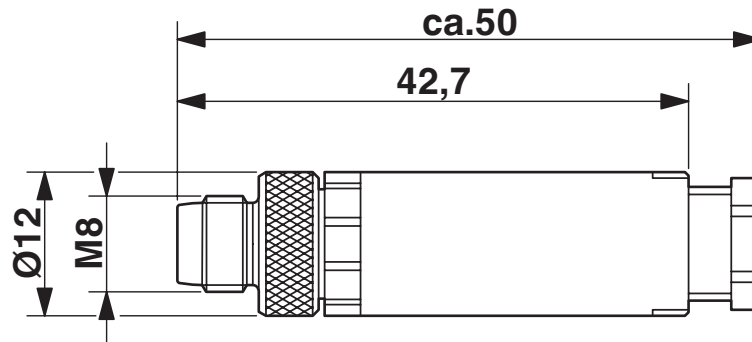
# SACC-M 8MS-3CON-M-SW - Connector

1501252

<https://www.phoenixcontact.com/in/products/1501252>

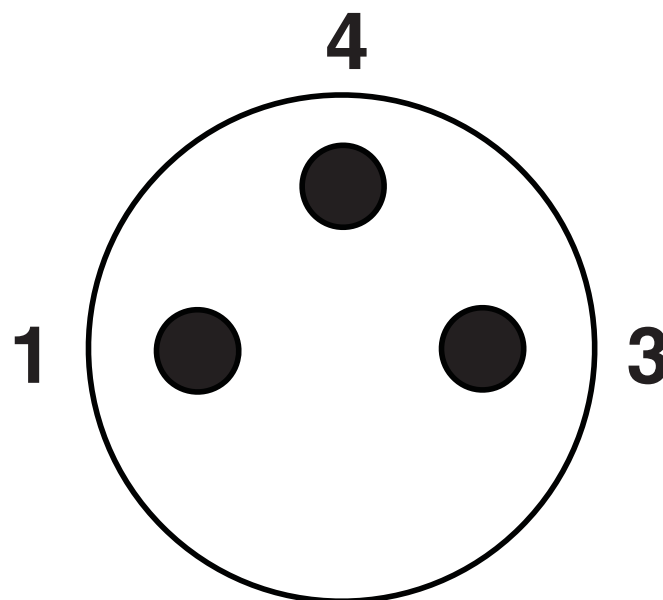
## Drawings

Dimensional drawing



M8 x 1 male plug, straight version

Schematic diagram



M8 plug pin assignment, 3-pos., view of pin side

# SACC-M 8MS-3CON-M-SW - Connector




1501252

<https://www.phoenixcontact.com/in/products/1501252>

## Approvals

 <b>UL Listed</b> Approval ID: FILE E 221474				
	Nominal Voltage $U_N$	Nominal Current $I_N$	Cross Section AWG	Cross Section $\text{mm}^2$
	60 V	4 A	-	-

 <b>cUL Listed</b> Approval ID: FILE E 221474				
	Nominal Voltage $U_N$	Nominal Current $I_N$	Cross Section AWG	Cross Section $\text{mm}^2$
	60 V	4 A	-	-

# SACC-M 8MS-3CON-M-SW - Connector



1501252

<https://www.phoenixcontact.com/in/products/1501252>

## Classifications

### ECLASS

ECLASS-11.0	27440102
ECLASS-12.0	27440116
ECLASS-13.0	27440116

### ETIM

ETIM 8.0	EC002635
----------	----------

### UNSPSC

UNSPSC 21.0	39121400
-------------	----------

# SACC-M 8MS-3CON-M-SW - Connector



1501252

<https://www.phoenixcontact.com/in/products/1501252>

## Environmental Product Compliance

REACH SVHC	Lead 7439-92-1
China RoHS	Environmentally Friendly Use Period = 50 years
	For information on hazardous substances, refer to the manufacturer's declaration available under "Downloads"



# SACC-M 8MS-3CON-M-SW - Connector

1501252

<https://www.phoenixcontact.com/in/products/1501252>

## Accessories

### SACC-M 8-SET/2,2-3,5 - Connector

1436945

<https://www.phoenixcontact.com/in/products/1436945>



Sensor/actuator connector, accessories, pressure screw and seal, for unshielded M8 connector, cable diameter 2.2 mm - 3.5 mm

---

### TSD 02 SAC - Torque screwdriver

1208487

<https://www.phoenixcontact.com/in/products/1208487>



Torque screwdriver, with preset torque of 0.2 Nm and 4 mm hexagonal drive for M8 connectors

# SACC-M 8MS-3CON-M-SW - Connector



1501252

<https://www.phoenixcontact.com/in/products/1501252>

## SACC BIT M8-D12 - Tool

1208474

<https://www.phoenixcontact.com/in/products/1208474>



Nut for assembling M8 connectors with longitudinal knurl and a knurl diameter of 12 mm, for 4 mm hexagonal drive

---

## PROT-M 8 FS-PA-CHAIN - Sealing cap

1430857

<https://www.phoenixcontact.com/in/products/1430857>

M8 sealing cap made of plastic with fixing band for sensor cables, for M8 plugs



# SACC-M 8MS-3CON-M-SW - Connector



1501252

<https://www.phoenixcontact.com/in/products/1501252>

## TSD-M 1,2NM - Torque screwdriver

1212224

<https://www.phoenixcontact.com/in/products/1212224>



Torque screw driver, accuracy as per EN ISO 6789 standard, adjustable from 0.3 - 1.2 Nm

---

## TSD-M SAC-BIT ADAPTER - Adapter insert

1212600

<https://www.phoenixcontact.com/in/products/1212600>



Adapter bit for TSD-M...torque tools, E6.3-1/4" drive with 4 mm hexagon to accommodate SAC bits

# SACC-M 8MS-3CON-M-SW - Connector



1501252

<https://www.phoenixcontact.com/in/products/1501252>

## SAC-3P-100,0-PUR/0,25 - Cable reel

1501689

<https://www.phoenixcontact.com/in/products/1501689>



By the meter, Cable reel, PUR halogen-free, black-gray RAL 7021, 3-wire, color single wire: brown, blue, black, cable length: 100 m

---

## SAC-3P-100,0-PUR/0,34 - Cable reel

1501650

<https://www.phoenixcontact.com/in/products/1501650>



By the meter, Cable reel, PUR halogen-free, black-gray RAL 7021, 3-wire, color single wire: brown, blue, black, cable length: 100 m

---

Phoenix Contact 2023 © - all rights reserved  
<https://www.phoenixcontact.com>

PHOENIX CONTACT (I) Pvt. Ltd.  
A-58/2, Okhla Industrial Area, Phase - II, New Delhi-110 020

+91.1275.71420  
[info@phoenixcontact.co.in](mailto:info@phoenixcontact.co.in)