

# Product data sheet

Specifications



Empty handy box, Harmony XB5R, plastic, dark grey, 1 cut-out, 22mm

ZBRM01

## Main

Range of product	Harmony XB5R
Product or component type	Empty handy box
Device short name	ZBRM
Mounting diameter	22 mm
Product destination	For XB5R Ø 22 mm control units
Control station application	One function

## Complementary

Colour of base of enclosure	Dark grey (RAL 7016)
Colour of cover	Dark grey (RAL 7016)
Material	Polycarbonate
Net weight	0.2 kg

## Environment

Ambient air temperature for storage	-40...70 °C
Ambient air temperature for operation	-25...55 °C
IP degree of protection	IP65 conforming to IEC 60529
IK degree of protection	IK03 conforming to EN 50102

Standards	ETSI EN 301 489-1 ETSI EN 300 440-1 ETSI EN 300 440-2 ETSI EN 301 489-3 UL 508 CSA C22.2 No 14 EN/IEC 60947-5-1
-----------	---

Product certifications	C-Tick FCC ANATEL RSS BT 2006/95/EC GOST CE SRRC
------------------------	---

Directives	2004/108/EC - electromagnetic compatibility 1999/5/EC - R&TTE directive
------------	--

## Packing Units

Unit Type of Package 1	PCE
Number of Units in Package 1	1
Package 1 Height	8.3 cm
Package 1 Width	9.0 cm
Package 1 Length	9.3 cm
Package 1 Weight	98.0 g
Unit Type of Package 2	S03
Number of Units in Package 2	36
Package 2 Height	30.0 cm
Package 2 Width	30.0 cm
Package 2 Length	40.0 cm
Package 2 Weight	4.014 kg

## Offer Sustainability

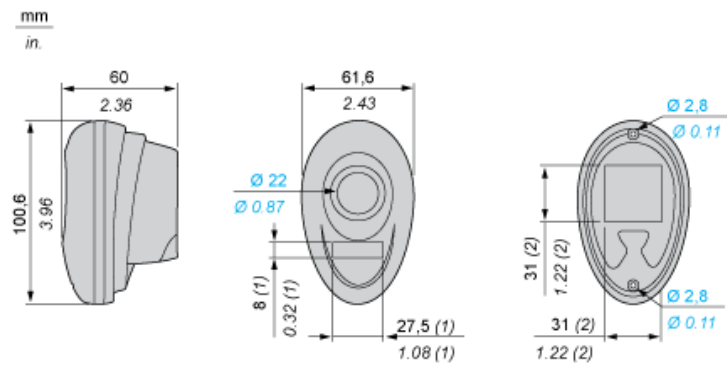
Sustainable offer status	Green Premium product
REACH Regulation	<a href="#">REACH Declaration</a>
EU RoHS Directive	Pro-active compliance (Product out of EU RoHS legal scope) <a href="#">EU RoHS Declaration</a>
Mercury free	Yes
China RoHS Regulation	<a href="#">China RoHS declaration</a>
RoHS exemption information	Yes
Environmental Disclosure	<a href="#">Product Environmental Profile</a>
Circularity Profile	<a href="#">End of Life Information</a>
California proposition 65	WARNING: This product can expose you to chemicals including: Nickel compounds, which is known to the State of California to cause cancer, and Di-isodecyl phthalate (DIDP), which is known to the State of California to cause birth defects or other reproductive harm. For more information go to <a href="http://www.P65Warnings.ca.gov">www.P65Warnings.ca.gov</a>

## Contractual warranty

Warranty	18 months
----------	-----------

## Wireless and Batteryless Pushbutton - Transmitter

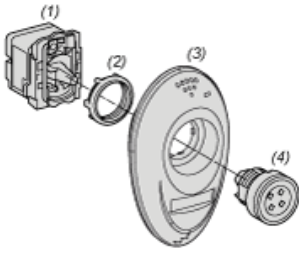
### Plastic Handy Box for Mobile Use



- (1) Location for ZBY0101T legend.
- (2) Location for magnet to be stuck on by the customer.

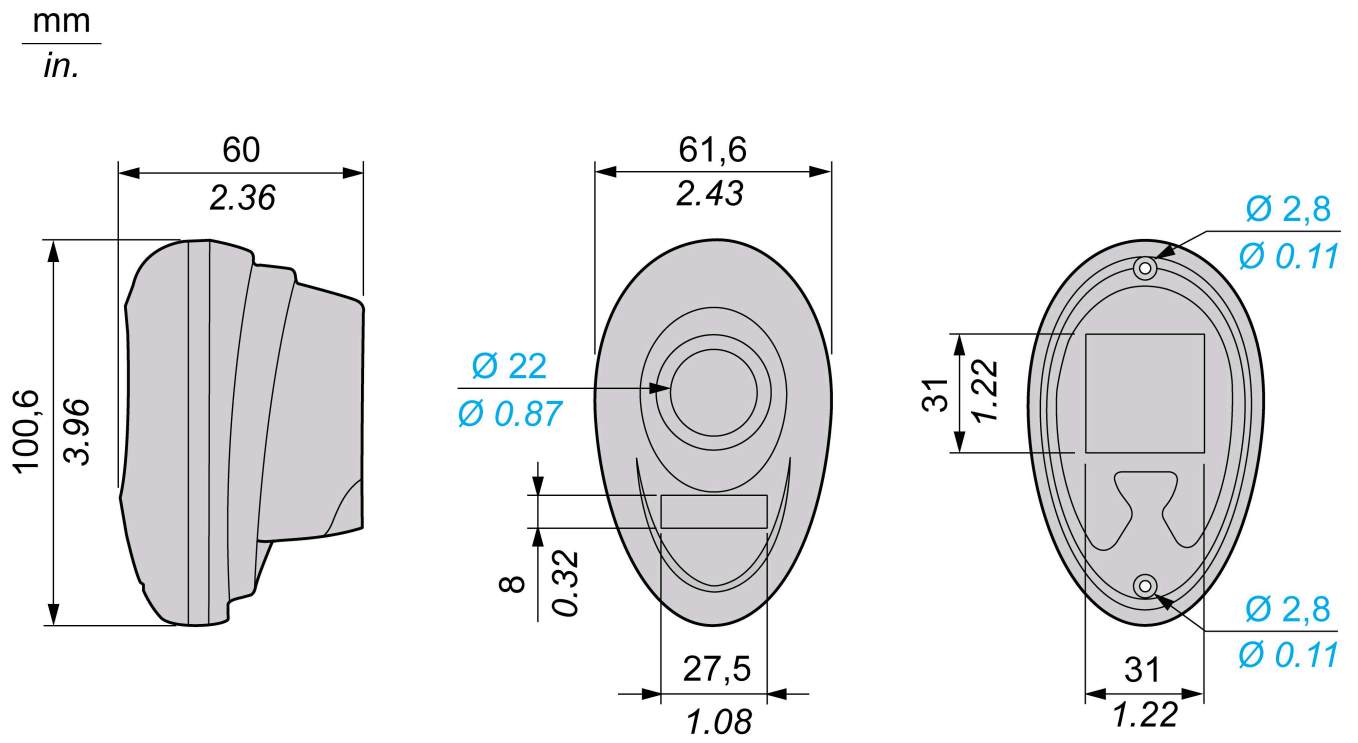
**Mounting of Empty Mobile Box**

---



- (1): Transmitter
- (2): Fixing nut
- (3): Empty mobile box
- (4): Pushbutton

Dimensions



Recommended replacement(s)