

SACC-DSI-M 8FS-3CON-M12/0,5 - Device connector, rear mounting



1453449

<https://www.phoenixcontact.com/in/products/1453449>

Please be informed that the data shown in this PDF document is generated from our Online Catalog. Please find the complete data in the user documentation. Our General Terms of Use for Downloads are valid.



Device connector, rear mounting, 3-position, Socket, straight, M8, Rear mounting, M12 x 1, Individual wires, cable length: 0.5 m, 0.25 mm², PVC litz wire

Your advantages

- Pre-assembled with litz wires for immediate use
- Customer-specific assemblies and litz wire lengths available
- Sealed on the litz wire side for optimum leak-tightness
- Standard pin assignments and codings for signal transmission with a uniform design-in design

Commercial Data

Item number	1453449
Packing unit	1 pc
Minimum order quantity	1 pc
Sales Key	ABQ
Product Key	ABQBBD
Catalog Page	Page 34 (C-2-2019)
GTIN	4046356554411
Weight per Piece (including packing)	19.58 g
Weight per Piece (excluding packing)	18.2 g
Customs tariff number	85444290
Country of origin	DE

SACC-DSI-M 8FS-3CON-M12/0,5 - Device connector, rear mounting



1453449

<https://www.phoenixcontact.com/in/products/1453449>

Technical Data

Mounting

Mounting type	Rear mounting M12 x 1 With flat nut
Assembly instructions	With flat nut

Product properties

Product type	Circular connectors (device side)
Number of positions	3
No. of cable outlets	1
Shielded	no
Coding	A
Thread type	M12

Insulation characteristics

Overvoltage category	II
Degree of pollution	3

Material specifications

Flammability rating according to UL 94	HB
Seal material	FKM
Contact material	Cu alloy
Contact surface material	Au
Contact carrier material	PUR/PA 6.6
Material for screw connection	Nickel-plated brass
Conductor material	Tin-plated Cu litz wires

Electrical properties

Rated surge voltage	1.5 kV
Contact resistance	$\leq 3 \text{ m}\Omega$
Insulation resistance	$\geq 100 \text{ M}\Omega$
Nominal voltage U_N	48 V AC
	60 V DC
Nominal current I_N	4 A

Connection data

Conductor connection

Connection method	Individual wires
Tightening torque	1 Nm
	1.5 Nm

Connector

SACC-DSI-M 8FS-3CON-M12/0,5 - Device connector, rear mounting



1453449

<https://www.phoenixcontact.com/in/products/1453449>

Connection 1

Head design	Socket
Head cable outlet	straight
Head thread type	M8

Cable/line

Cable length	0.5 m
Cable type	PVC litz wire
Wire diameter incl. insulation	1.5 mm ±0.1 mm
Single wire, color	brown, blue, black
Conductor material	Tin-plated Cu litz wires
Conductor structure signal line	7x 0.20 mm
AWG signal line	24
Material wire insulation	PVC / UL
Thickness, insulation	0.21 mm
Nominal voltage, cable	300 V
Test voltage, cable	2000 V AC
Cable resistance	≥ 80 Ω/km
Cable insulation resistance	≥ 20 MΩ*km
Ambient temperature (operation)	-40 °C ... 105 °C (cable, fixed installation) -10 °C ... 105 °C (Cable, flexible installation)

Environmental and real-life conditions

Ambient conditions

Degree of protection	IP67 IP67
Ambient temperature (operation)	-25 °C ... 85 °C (Socket) -40 °C ... 105 °C (cable, fixed installation) -10 °C ... 105 °C (Cable, flexible installation)

Standards and regulations

M8

Standards/specifications	IEC 61076-2-104
--------------------------	-----------------

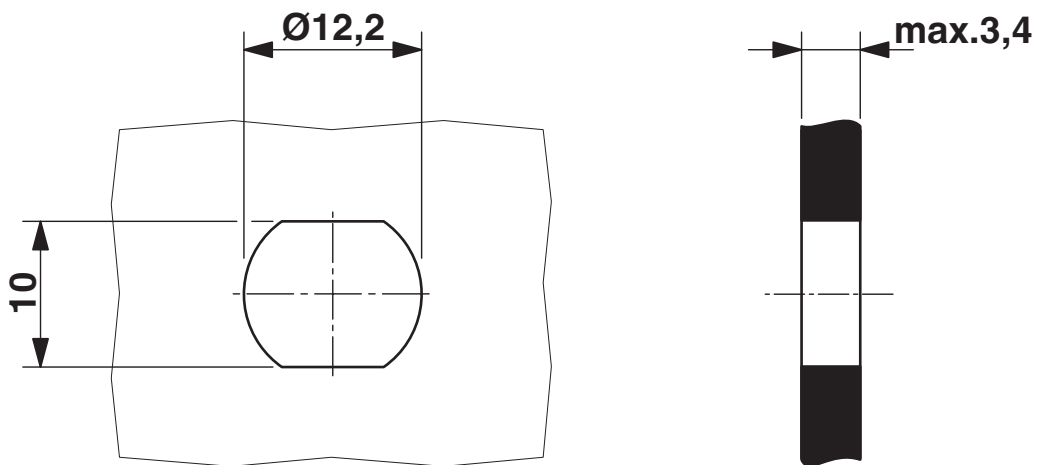
SACC-DSI-M 8FS-3CON-M12/0,5 - Device connector, rear mounting

1453449

<https://www.phoenixcontact.com/in/products/1453449>

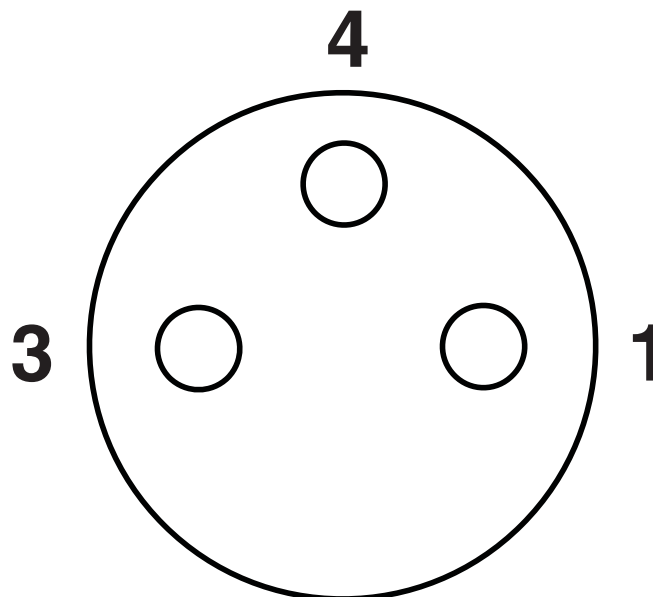
Drawings

Dimensional drawing



Housing cutout for M8 flush-type connector, socket, one-section

Schematic diagram



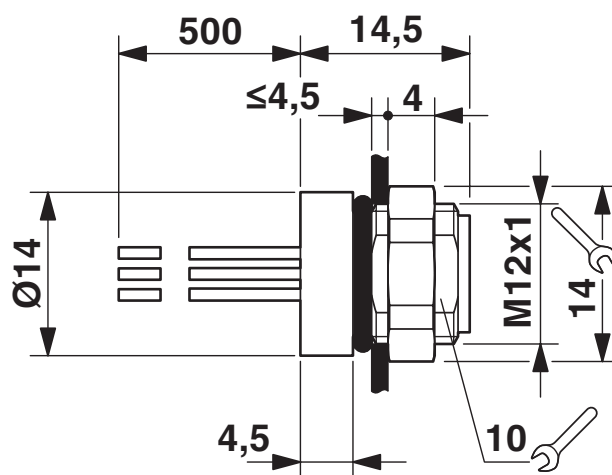
Pin assignment M8 socket, 3-pos., view female side

SACC-DSI-M 8FS-3CON-M12/0,5 - Device connector, rear mounting

1453449

<https://www.phoenixcontact.com/in/products/1453449>

Dimensional drawing



Dimensional drawing

SACC-DSI-M 8FS-3CON-M12/0,5 - Device connector, rear mounting




1453449

<https://www.phoenixcontact.com/in/products/1453449>

Approvals

 cUL Recognized Approval ID: FILE E 221474	Nominal Voltage U_N	Nominal Current I_N	Cross Section AWG	Cross Section mm^2
	30 V	4 A	- 24	-

 UL Recognized Approval ID: FILE E 221474	Nominal Voltage U_N	Nominal Current I_N	Cross Section AWG	Cross Section mm^2
	30 V	4 A	- 24	-

 EAC Approval ID: B.01687
--

SACC-DSI-M 8FS-3CON-M12/0,5 - Device connector, rear mounting



1453449

<https://www.phoenixcontact.com/in/products/1453449>

Classifications

ECLASS

ECLASS-11.0	27440102
ECLASS-12.0	27440116
ECLASS-13.0	27440116

ETIM

ETIM 8.0	EC002635
----------	----------

UNSPSC

UNSPSC 21.0	39121400
-------------	----------

SACC-DSI-M 8FS-3CON-M12/0,5 - Device connector, rear mounting



1453449

<https://www.phoenixcontact.com/in/products/1453449>

Environmental Product Compliance

REACH SVHC	Lead 7439-92-1
China RoHS	Environmentally Friendly Use Period = 50 years
	For information on hazardous substances, refer to the manufacturer's declaration available under "Downloads"

Phoenix Contact 2023 © - all rights reserved
<https://www.phoenixcontact.com>

PHOENIX CONTACT (I) Pvt. Ltd.
A-58/2, Okhla Industrial Area, Phase - II, New Delhi-110 020

+91.1275.71420
info@phoenixcontact.co.in