

Product data sheet

Specifications



Harmony XB5, Wireless push button and configurable receiver with 10 colored caps, plastic, Ø22, 24...240 V AC/DC

XB5RFA02

Main

Range of product	Harmony XB5R
Product or component type	Wireless and batteryless package
Device short name	XB5R
Head material	Plastic
Frequency	2405 MHz for transmitter 2405 MHz for receiver
Emission class	5M00G7W
Antenna type	Omnidirectional

Complementary

Control type	Wireless and batteryless push-button Ø 22 mm assembled on fixing collar
Type of receiver	Programmable receiver (2 relays)
[Us] rated supply voltage	24...240 V AC/DC 50/60 Hz
Kit composition	1 transmitter 1 set of caps 1 receiver 1 fixing collars 1 diameter: 22 mm 1 push-button head diameter: 22 mm
Status LED	1 LED green for power ON 2 LEDs green for relay ON 2 LEDs green for function mode 1 LED green and yellow for reception signal
Communication port protocol	Zigbee conforming to IEEE 802.15.4
Max power consumption in W	1 mW
Number of channels	1
Modulation Technique	O-QPSK
Bandwidth	5 MHz
Antenna gain	0 dBi
Customizable	No
Compatibility code	XB5R

Environment

Product certifications	UL CCC GOST
------------------------	-------------------

CSA
C-Tick

Marking	CE
Standards	CSA C22.2 No 14 EN/IEC 60947-5-1 UL 508 EN/IEC 60947-1
Radio agreement	SRRC RSS ARIB T66 FCC ICASA ANATEL

Packing Units

Unit Type of Package 1	PCE
Number of Units in Package 1	1
Package 1 Height	9.300 cm
Package 1 Width	10.500 cm
Package 1 Length	10.800 cm
Package 1 Weight	206.000 g
Unit Type of Package 2	S03
Number of Units in Package 2	16
Package 2 Height	30.000 cm
Package 2 Width	30.000 cm
Package 2 Length	40.000 cm
Package 2 Weight	4.050 kg

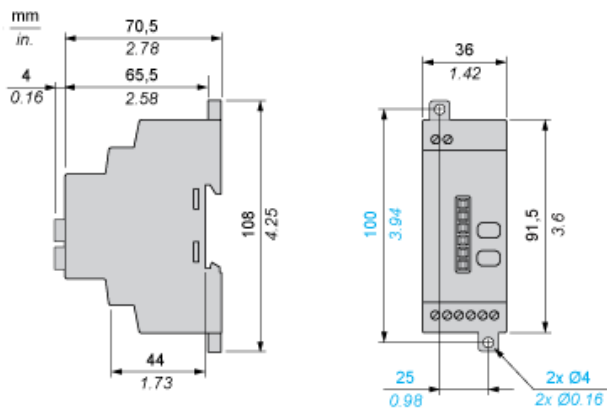
Offer Sustainability

Sustainable offer status	Green Premium product
REACH Regulation	REACH Declaration
EU RoHS Directive	Pro-active compliance (Product out of EU RoHS legal scope) EU RoHS Declaration
Mercury free	Yes
China RoHS Regulation	China RoHS declaration
RoHS exemption information	Yes
Environmental Disclosure	Product Environmental Profile
Circularity Profile	End of Life Information
WEEE	The product must be disposed on European Union markets following specific waste collection and never end up in rubbish bins
California proposition 65	WARNING: This product can expose you to chemicals including: Nickel compounds, which is known to the State of California to cause cancer, and Di-isodecyl phthalate (DIDP), which is known to the State of California to cause birth defects or other reproductive harm. For more information go to www.P65Warnings.ca.gov

Contractual warranty

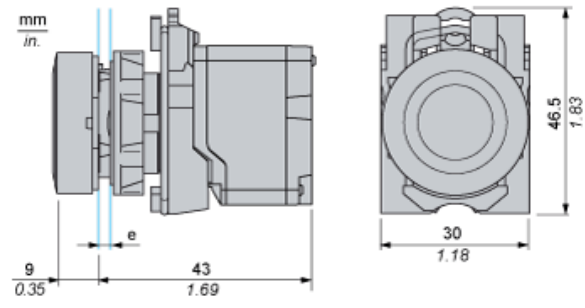
Warranty	18 months
-----------------	-----------

Programmable Receiver



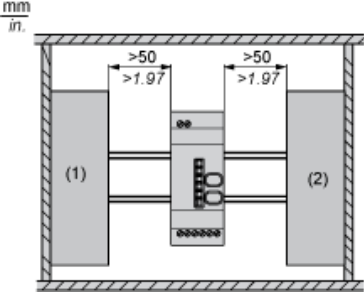
Wireless and Batteryless Pushbutton - Transmitter

With Plastic Pushbutton without Cap



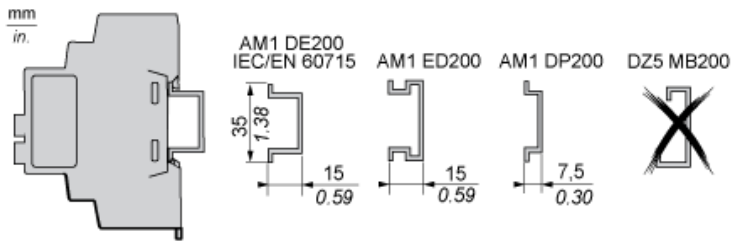
e: panel thickness 1 to 6 mm / 0.039 to 0.24 in.

Receiver Clearance

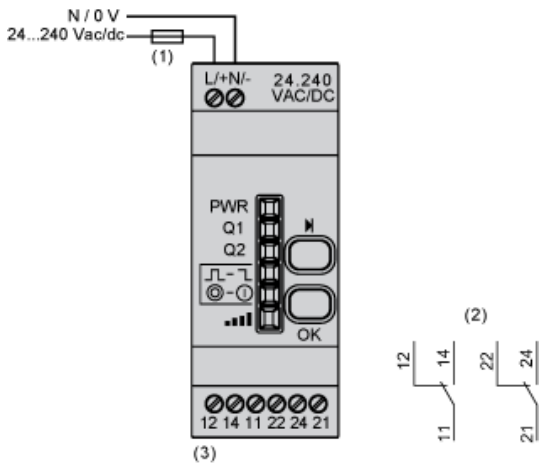


- (1) Drive
- (2) Power Supply or PLC

Receiver Mounting

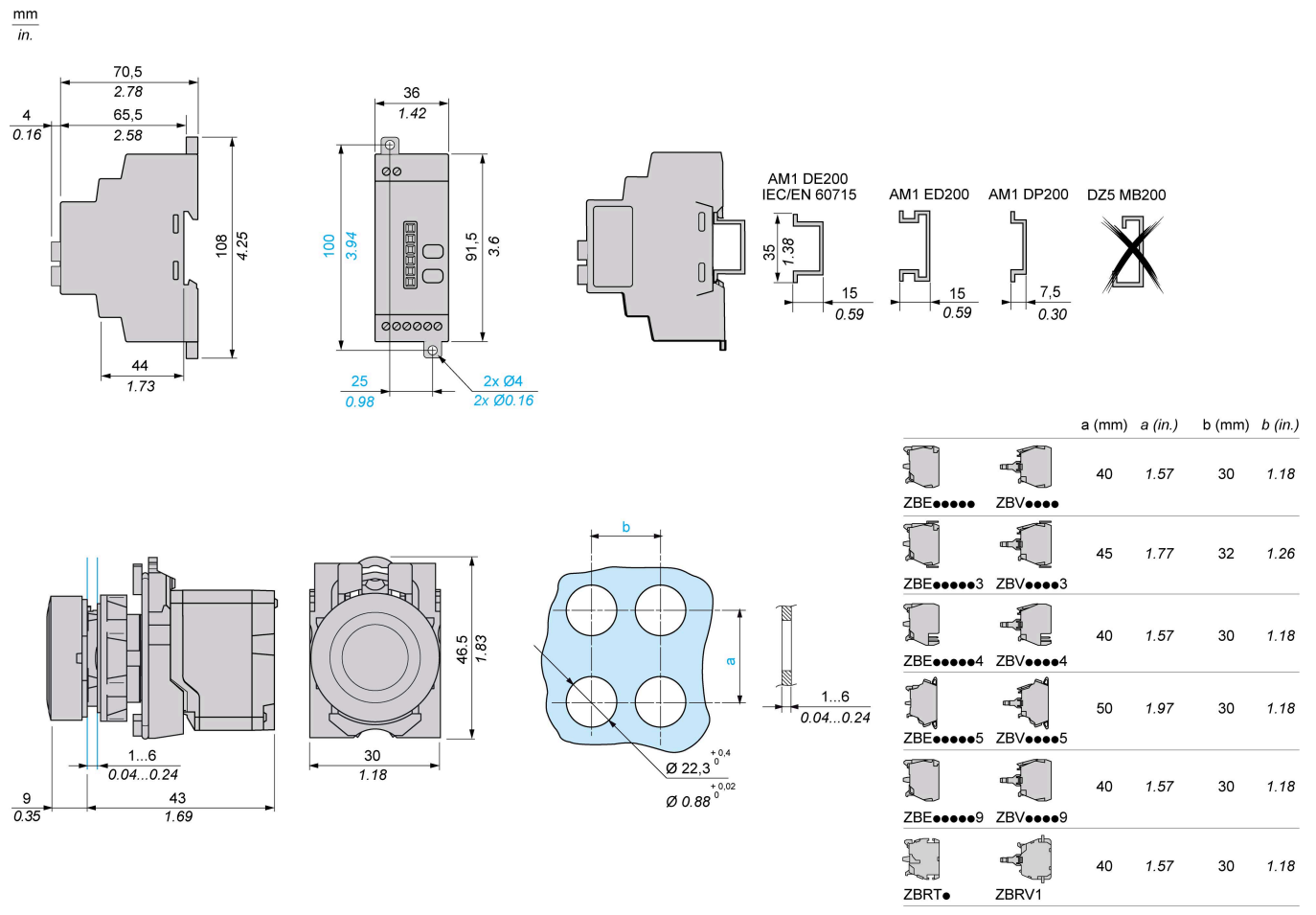


Programmable Receiver

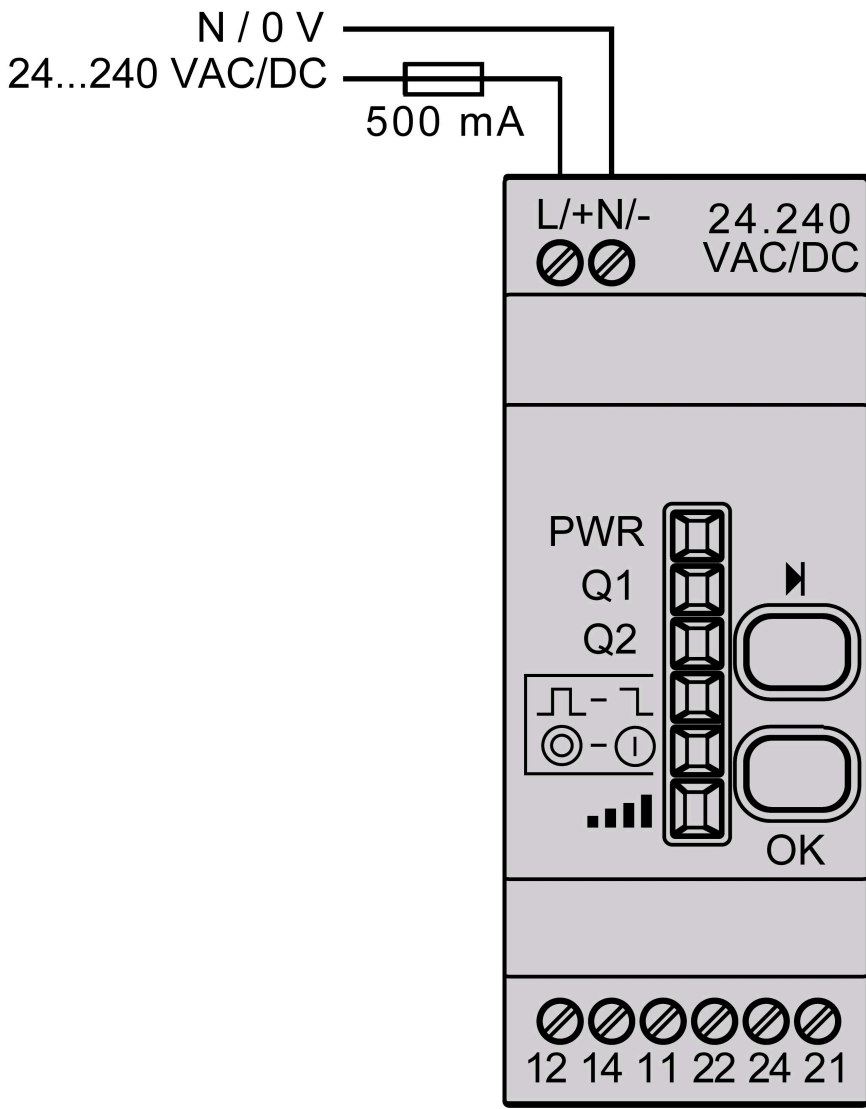


- (1) 500 mA
- (2) Output contacts
- (3) $I_{max} = 3 \text{ A}$

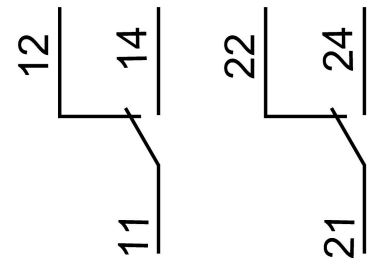
Dimensions



Wiring Diagram



$I_{max} = 3 \text{ A}$



Recommended replacement(s)