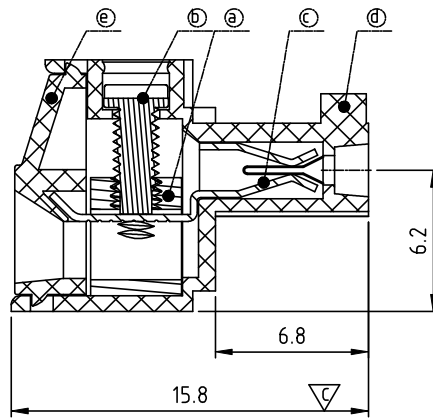
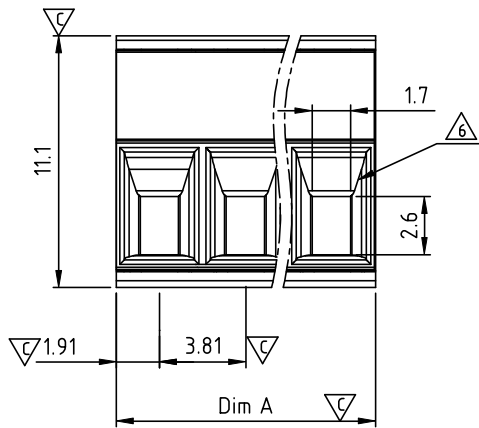


TJ xx 31x 3 xxxx G

- Solid Block
 02 2 CONTACTS
 03 3 CONTACTS

 24 24 CONTACTS
- COLOR
 0 Black (RAL9005)
 2 Red (RAL3001/D)
 3 Orange (RAL2011/P)
 4 Yellow (RAL1018/A)
 5 Green (RAL6018/T)
 6 Blue (RAL5015/A)
 8 Grey (RAL7035/D)
 9 White (RAL1102)
 C Green (RAL6018/U)
- G RoHS compliant (lead<4%) In copper Alloy
 0000 Standard @ Logo
 000A Standard ANY Logo
 0091 Standard ANY Logo
 Any special item by customer request, please contact sales department.



N = Number of poles
 Dim A = N x 3.81
 Dim B = (N - 1) x 3.81

Poles	Dim A	Dim B
2p	±0.15	±0.10
3P-6p	±0.15	±0.15
7P-12p	±0.20	±0.20
13P-18p	±0.25	±0.25
19P-24p	±0.30	±0.30

SIGN	DATE	DESCRIPTION	APPROVER
△	11/01'05	Electrical standard changed.	Marvin
△	04/20'06	2p to 6p with wedge is changed.	Marvin
△	8/13'06	Added VDE standard	黎仁松
△	12/04'08	Add the tolerance table	Jacke
△	12/04'08	The temperature changed from -30°,105° to -40°,115°	Jacke
△	12/04'08	The wire entry hole was changed.	Jacke
△	2010.07.12	The solid and Stranded wire are changed from 16-26 to 16-28	Chen Bo
△	2010.07.12	Rrmove the CSA mark	Chen Bo
△	2012.06.04	The color is added	Chen Bo
△	07/06-15	Update the drawing	Evan

THIS IS CAD DRAWING, DO NOT REVISE MANUALLY!!!

- △ Material
- Item @ Clamp: Brass (CuZn) Ni plated
 - Item ⊕ Terminal screw: Steel Zinc plating "-" slot type
 - Item ⊙ Female contact: PhBz ,Bright Tin plated over Nickel plated
 - Item ⊕ Terminal (housing): Thermoplastic (UL94V-0)
 - Item ⊕ Terminal (cover): Thermoplastic (UL94V-0)
- △ Electrical cULus/VDE
- Voltage rating: 300VAC/300VAC
 - Current rating: 10A/10.5A
 - Wire range: 1.5mm²
 - Solid wire (AWG): 16-28/16-26
 - Stranded wire (AWG): 16-28/16-26
 - Torque: 3Lb-In/0.2Nm
 - Screw: M2
 - Wire strip length: 6-7mm
 - Withstanding Voltage: 1.6KV/2.5KV
 - Operating temperature: -40°C to +115°C
 - Safety Approval: cULus VDE
 - Critical dimension: ∇

Amphenol ANYTEK				CUSTOMER COPY			
ALL RIGHTS RESERVED. REPRODUCTION OR ISSUE TO THIRD PARTIES IN ANY FORM WHATSOEVER IS NOT PERMITTED WITHOUT WRITTEN AUTHORITY FROM THE PROPRIETOR. PROPERTY OF ANYTEK TECHNOLOGY CO., LTD							
TITLE		TJ-3.81mm Series					
PART NO.		TJxx31x3xxxxG			DWG NO.		8TJ0601
APPROVED		CHECKED	DESIGNED	DRAWN	CUST NO.		Tolerance
			Evan 07/06-15	Chen Bo 05/28`12			X. ±0.50
						UNIT: mm	X.X ±0.30
				SHEET: 01/01		SCALE: NONE	X.XX ±0.10
						REV.: J	X° ±1°