

# ICC25-PSC2,5/4-5,0-AA-7035 - Printed-circuit board connector



1084027

<https://www.phoenixcontact.com/in/products/1084027>

Please be informed that the data shown in this PDF document is generated from our Online Catalog. Please find the complete data in the user documentation. Our General Terms of Use for Downloads are valid.



PCB connector, nominal cross section: 2.5 mm<sup>2</sup>, color: light grey, rated voltage (III/2): 320 V, type of contact: Socket, number of potentials: 4, number of rows: 1, number of positions: 4, number of connections: 4, product range: ICC...PSC2,5/..-5,0, pitch: 5 mm, connection method: Screw connection with tension sleeve, conductor/PCB connection direction: 0 °, locking clip: - Locking clip, locking: without, mounting: without, type of packaging: packed in cardboard

## Your advantages

- Variable coding, for reliable protection against incorrect connection
- Quick and easily coded when initially connecting the connector and header
- Internationally recognized and proven screw connection

## Commercial Data

Item number	1084027
Packing unit	50 pc
Minimum order quantity	50 pc
Sales Key	ACH
Product Key	ACHAFC
GTIN	4055626820637
Weight per Piece (including packing)	7.388 g
Weight per Piece (excluding packing)	6.6 g
Customs tariff number	85366990
Country of origin	CN

# ICC25-PSC2,5/4-5,0-AA-7035 - Printed-circuit board connector



1084027

<https://www.phoenixcontact.com/in/products/1084027>

## Technical Data

### Product properties

Type	Standard
Product type	PCB plug
Product family	ICC...PSC2,5/..-5,0
Number of positions	4
Pitch	5 mm
Number of connections	4
Number of rows	1
Number of potentials	4

### Electrical properties

Degree of pollution	3
Contact resistance	1.25 mΩ

### Connection data

#### Interlock

Locking type	without
Mounting flange	without

#### Conductor connection

Connection method	Screw connection with tension sleeve
Conductor/PCB connection direction	0 °

### Material specifications

#### Material data - contact

Note	WEEE/RoHS-compliant, free of whiskers according to IEC 60068-2-82/JEDEC JESD 201
Contact material	Cu alloy
Surface characteristics	Tin-plated
Metal surface terminal point (top layer)	Tin (Sn)

#### Material data - housing

Color (Housing)	light grey (7035)
Insulating material	PA
Insulating material group	I
CTI according to IEC 60112	600
Flammability rating according to UL 94	V0
Glow wire flammability index GWFI according to EN 60695-2-12	850
Glow wire ignition temperature GWIT according to EN 60695-2-13	775
Temperature for the ball pressure test according to EN 60695-10-2	125 °C

# ICC25-PSC2,5/4-5,0-AA-7035 - Printed-circuit board connector



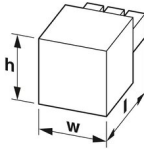
1084027

<https://www.phoenixcontact.com/in/products/1084027>

## Material data – actuating element

Color ()	()
----------	----

## Dimensions

Dimensional drawing	
Pitch	5 mm
Width [w]	22.5 mm
Height [h]	15 mm
Length [l]	18.77 mm

## Notes

Coding	For details, refer to the product drawing in the “Downloads” tab.
--------	---

## Safety note

Safety note	<p>WARNING: The connectors may not be plugged in or disconnected under load. Ignoring the warning or improper use may damage persons and/or property.</p> <ul style="list-style-type: none"><li>• WARNING: Commission properly functioning products only. The products must be regularly inspected for damage. Decommission defective products immediately. Replace damaged products. Repairs are not possible.</li><li>• WARNING: Only electrically qualified personnel may install and operate the product. They must observe the following safety notes. The qualified personnel must be familiar with the basics of electrical engineering. They must be able to recognize and prevent danger. The relevant symbol on the packaging indicates that only personnel familiar with electrical engineering are allowed to install and operate the product.</li><li>• The item is intended to be an unencapsulated plug for installation in a housing.</li><li>• Operate the connector only when it is fully plugged in.</li></ul>
-------------	---

## Mechanical tests

### Test for conductor damage and slackening

Specification	IEC 60999-1:1999-11
Result	Test passed

### Repeated connection and disconnection

Specification	IEC 60999-1:1999-11
Result	Test passed

### Pull-out test

Specification	IEC 60999-1:1999-11
---------------	---------------------

# ICC25-PSC2,5/4-5,0-AA-7035 - Printed-circuit board connector



1084027

<https://www.phoenixcontact.com/in/products/1084027>

Conductor cross section/conductor type/tractive force setpoint/actual value	0.2 mm <sup>2</sup> / solid / > 10 N
	0.2 mm <sup>2</sup> / flexible / > 10 N
	2.5 mm <sup>2</sup> / solid / > 50 N
	2.5 mm <sup>2</sup> / flexible / > 50 N

## Insertion and withdrawal forces

Result	Test passed
No. of cycles	25
Insertion strength per pos. approx.	9.2 N
Withdraw strength per pos. approx.	8.7 N

## Contact holder in insert

Specification	IEC 60512-15-1:2008-05
Contact holder in insert Requirements >20 N	Test passed

## Resistance of inscriptions

Specification	IEC 60068-2-70:1995-12
Result	Test passed

## Polarization and coding

Specification	IEC 60512-13-5:2006-02
Result	Test passed

## Visual inspection

Specification	IEC 60512-1-1:2002-02
Result	Test passed

## Dimension check

Specification	IEC 60512-1-2:2002-02
Result	Test passed

## Environmental and real-life conditions

### Vibration test

Specification	IEC 60068-2-6:2007-12
Frequency	10 - 150 - 10 Hz
Sweep speed	1 octave/min
Amplitude	0.35 mm (10 Hz ... 60.1 Hz)
Sweep speed	5g (60.1 Hz ... 150 Hz)
Test duration per axis	2.5 h

### Durability test

Specification	IEC 60512-9-1:2010-03
Impulse withstand voltage at sea level	4.8 kV
Contact resistance R <sub>1</sub>	1.25 mΩ
Contact resistance R <sub>2</sub>	1.28 mΩ
Insertion/withdrawal cycles	25

# ICC25-PSC2,5/4-5,0-AA-7035 - Printed-circuit board connector



1084027

<https://www.phoenixcontact.com/in/products/1084027>

Insulation resistance, neighboring positions	> 1 TΩ
--	--------

## Climatic test

Specification	ISO 6988:1985-02
Corrosive stress	0.2 dm <sup>3</sup> SO <sub>2</sub> on 300 dm <sup>3</sup> /40 °C/1 cycle
Thermal stress	100 °C/168 h
Power-frequency withstand voltage	2.21 kV

## Ambient conditions

Ambient temperature (operation)	-40 °C ... 105 °C (dependent on the derating curve)
Ambient temperature (storage/transport)	-40 °C ... 55 °C
Relative humidity (storage/transport)	30 % ... 70 %
Ambient temperature (assembly)	-5 °C ... 100 °C

## Electrical tests

### Thermal test | Test group C

Specification	IEC 60512-5-1:2002-02
Tested number of positions	4

### Insulation resistance

Specification	IEC 60512-3-1:2002-02
Insulation resistance, neighboring positions	> 1 TΩ

## Packaging specifications

Type of packaging	packed in cardboard
-------------------	---------------------

# ICC25-PSC2,5/4-5,0-AA-7035 - Printed-circuit board connector

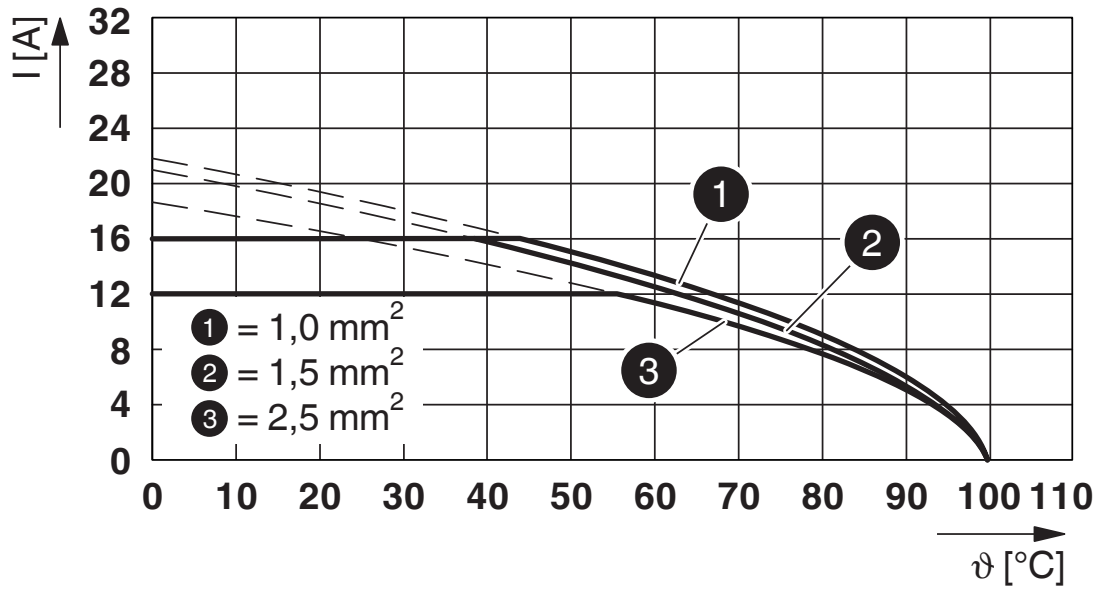


1084027

<https://www.phoenixcontact.com/in/products/1084027>

## Drawings

Diagram



Type: ICC25-PSC 2,5/...-5,0-AA with ICC20(25)-H/...L(R) 5,0

# ICC25-PSC2,5/4-5,0-AA-7035 - Printed-circuit board connector



1084027

<https://www.phoenixcontact.com/in/products/1084027>

## Approvals



**EAC**

Approval ID: B.01687



**cULus Recognized**

Approval ID: E60425-20181123

	Nominal Voltage $U_N$	Nominal Current $I_N$	Cross Section AWG	Cross Section $\text{mm}^2$
	300 V	15 A	30 - 12	-

# ICC25-PSC2,5/4-5,0-AA-7035 - Printed-circuit board connector



1084027

<https://www.phoenixcontact.com/in/products/1084027>

## Classifications

### ECLASS

ECLASS-11.0	27460202
ECLASS-12.0	27460202
ECLASS-13.0	27460202

### ETIM

ETIM 8.0	EC002638
----------	----------

### UNSPSC

UNSPSC 21.0	39121400
-------------	----------



# ICC25-PSC2,5/4-5,0-AA-7035 - Printed-circuit board connector



1084027

<https://www.phoenixcontact.com/in/products/1084027>

## Accessories

### ICC-CODING - Coding section

1084009

<https://www.phoenixcontact.com/in/products/1084009>



Coding profile for ICC connectors of the ICS housing series

---

Phoenix Contact 2023 © - all rights reserved  
<https://www.phoenixcontact.com>

PHOENIX CONTACT (I) Pvt. Ltd.  
A-58/2, Okhla Industrial Area, Phase - II, New Delhi-110 020

+91.1275.71420  
[info@phoenixcontact.co.in](mailto:info@phoenixcontact.co.in)