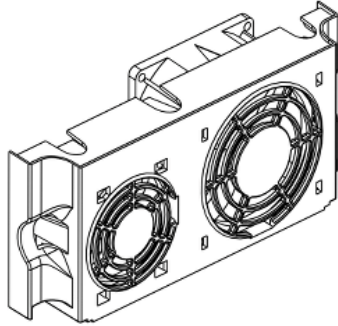


Product data sheet

Specifications



Fan, Altivar, ATV61, ATV71, spare part, for variable speed drive, VSD option, single or three phases, tape 5A

VZ3V1210

Main

Range of product	Altivar 61 Altivar 71
Accessory / separate part type	Fan kit
Accessory / separate part category	Cooling accessory

Complementary

Product compatibility	Variable speed drive ATV61H 7.5 kW 200...240 V single or three phases Variable speed drive ATV61H 11 kW 380...480 V three phase Variable speed drive ATV61W 15 kW 380...480 V three phase Variable speed drive ATV61E 15 kW 380...480 V three phase Variable speed drive ATV71H 7.5 kW 200...240 V single or three phases Variable speed drive ATV71H 11 kW 380...480 V three phase Variable speed drive ATV71P 11 kW 380...480 V three phase Variable speed drive ATV71W 11 kW 380...480 V three phase Variable speed drive ATV71E 11 kW 380...480 V three phase
-----------------------	---

Packing Units

Unit Type of Package 1	PCE
Number of Units in Package 1	1
Package 1 Height	10 cm
Package 1 Width	12 cm
Package 1 Length	31 cm
Package 1 Weight	472 g
Unit Type of Package 2	S03
Number of Units in Package 2	6
Package 2 Height	30 cm
Package 2 Width	30 cm
Package 2 Length	40 cm
Package 2 Weight	3.331 kg

Contractual warranty

Warranty	18 months
----------	-----------

Recommended replacement(s)