

# Product datasheet

Specifications



circuit breaker EasyPact CVS100B,  
25 kA at 415 VAC, 63 A rating  
thermal magnetic TM-D trip unit, 4P  
3d

LV510315

## Main

Range	EasyPact
Product name	EasyPact CVS
Device short name	CVS100B
Product or component type	Circuit breaker
Device application	Distribution
Poles description	4P
Protected poles description	3D
Earth leakage protection (Vigi add on)	Without
[In] rated current	63 A at 40 °C
Network type	AC
Utilisation category	Category A
[Icu] Breaking capacity	40 kA Icu at 220/240 V AC 50/60 Hz conforming to IEC 60947-2 25 kA Icu at 380/415 V AC 50/60 Hz conforming to IEC 60947-2 20 kA Icu at 440 V AC 50/60 Hz conforming to IEC 60947-2
Trip unit name	TM-D
Trip unit technology	Thermal-magnetic
Trip unit rating	63 A at 40 °C
Protection type	Overload protection (thermal) Short-circuit protection (magnetic)

## Complementary

[Uimp] rated impulse withstand voltage	8 kV conforming to EN/IEC 60947-2
Network frequency	50/60 Hz
Breaking capacity code	B
[Ics] rated service breaking capacity	15 kA at 440 V AC 50/60 Hz conforming to IEC 60947-2 25 kA at 380/415 V AC 50/60 Hz conforming to IEC 60947-2 40 kA at 220/240 V AC 50/60 Hz conforming to IEC 60947-2
Neutral position	Left
Mechanical durability	30000 cycles
Electrical durability	12000 cycles 415 V In conforming to IEC 60947-2
Control type	Toggle

<b>Thermal protection adjustment range</b>	44.1...63 A
<b>Neutral protection setting</b>	No protection (3D)
<b>Long time pick-up adjustment type Ir</b>	Adjustable
<b>Long time pick-up adjustment range</b>	0.7...1 x In
<b>Long time delay adjustment type</b>	Fixed
<b>Instantaneous pick-up adjustment type li</b>	Fixed
<b>Instantaneous pick-up adjustment range</b>	500 A
<b>Contact position indicator</b>	Yes
<b>Mounting mode</b>	Fixed
<b>Mounting support</b>	Backplate
<b>Upside connection</b>	Front
<b>Downside connection</b>	Front
<b>Connections - terminals</b>	Screw connection
<b>Connection pitch</b>	35 mm
<b>Compatibility code</b>	CVS100
<b>Width</b>	140 mm
<b>Depth</b>	86 mm
<b>Height</b>	161 mm
<b>Net weight</b>	2.2 kg

## Environment

<b>Standards</b>	EN 60947-2 IEC 60947-2
<b>Product certifications</b>	IEC GOST
<b>Electrical shock protection class</b>	Class II
<b>Pollution degree</b>	3 conforming to IEC 60664-1
<b>IP degree of protection</b>	IP40
<b>Ambient air temperature for operation</b>	-25...70 °C
<b>Ambient air temperature for storage</b>	-50...85 °C

## Packing Units

<b>Unit Type of Package 1</b>	PCE
<b>Number of Units in Package 1</b>	1
<b>Package 1 Height</b>	13.7 cm
<b>Package 1 Width</b>	14.5 cm
<b>Package 1 Length</b>	18.9 cm
<b>Package 1 Weight</b>	2.361 kg
<b>Unit Type of Package 2</b>	S04
<b>Number of Units in Package 2</b>	9

Package 2 Height	30.0 cm
Package 2 Width	40.0 cm
Package 2 Length	60.0 cm
Package 2 Weight	22.009 kg

## Offer Sustainability

Sustainable offer status	Green Premium product
REACH Regulation	<a href="#">REACH Declaration</a>
EU RoHS Directive	Compliant <a href="#">EU RoHS Declaration</a>
Mercury free	Yes
China RoHS Regulation	<a href="#">China RoHS declaration</a> Product out of China RoHS scope. Substance declaration for your information
RoHS exemption information	Yes
Environmental Disclosure	<a href="#">Product Environmental Profile</a>
WEEE	The product must be disposed on European Union markets following specific waste collection and never end up in rubbish bins

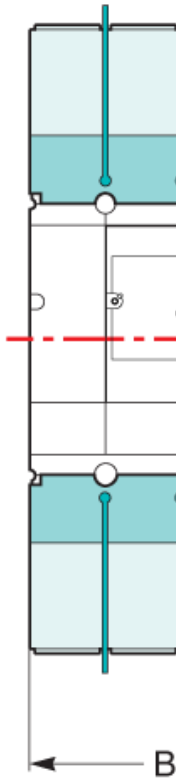
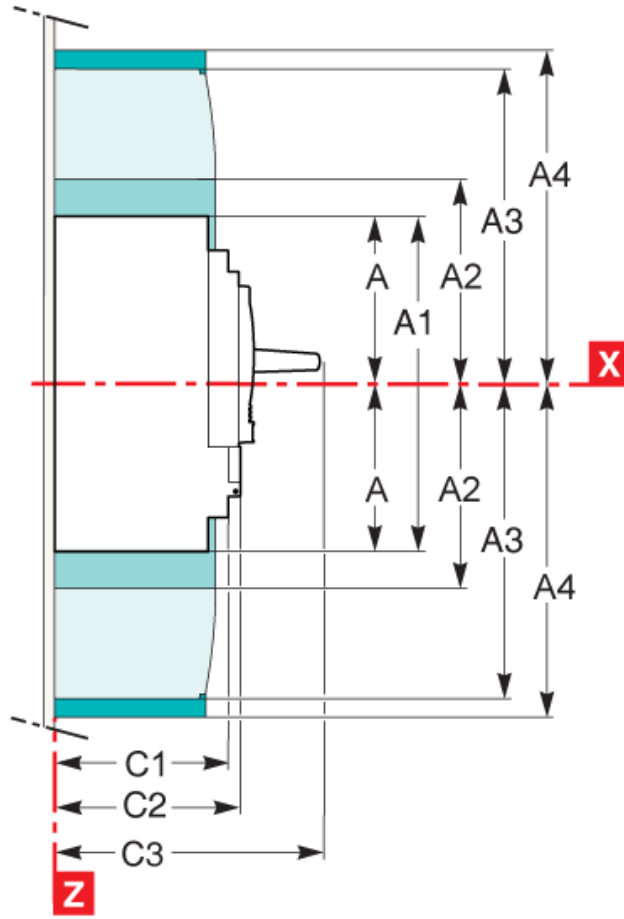
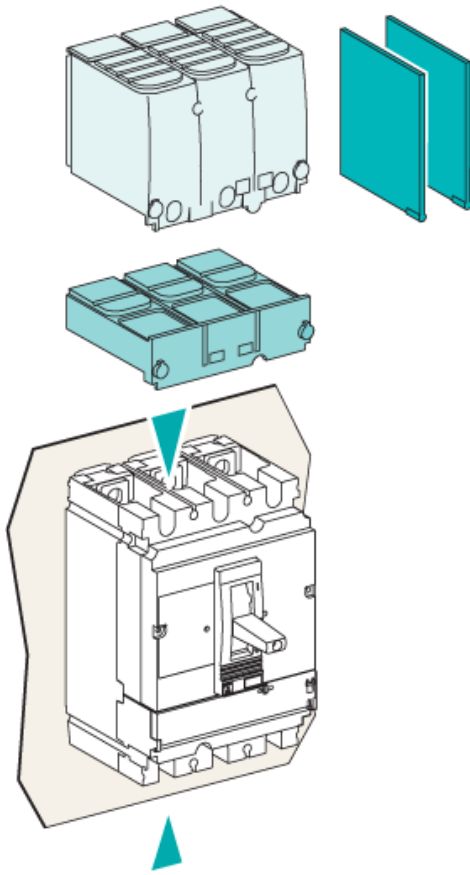
## Contractual warranty

Warranty	18 months
----------	-----------

# Product datasheet

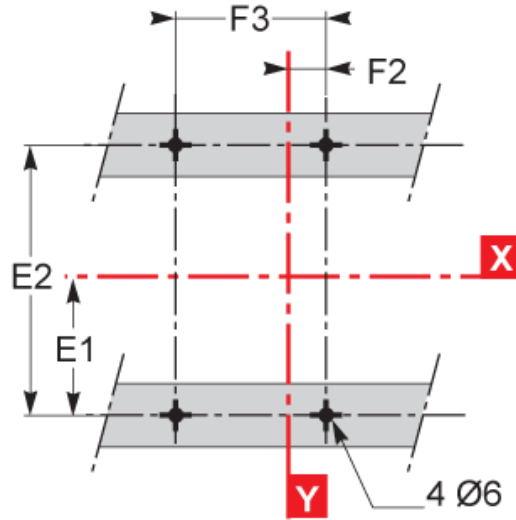
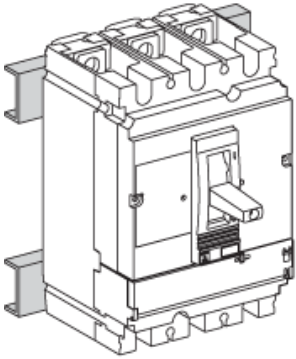
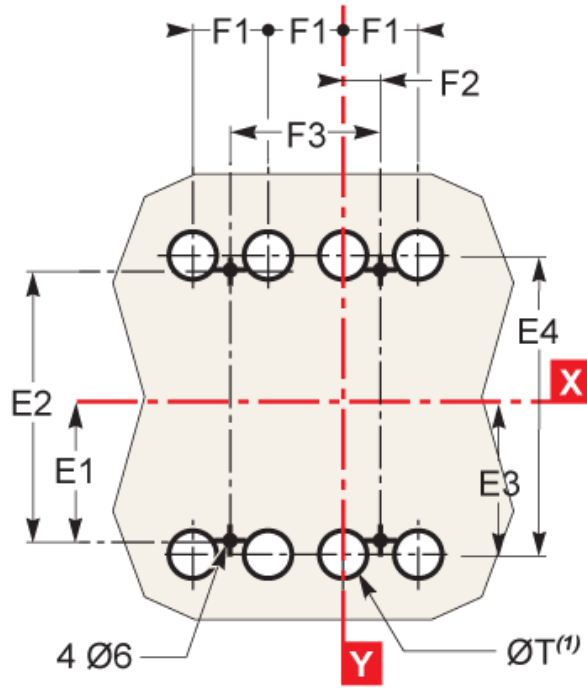
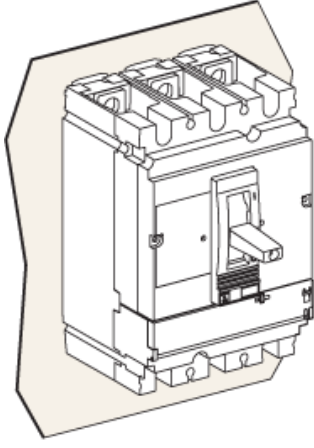
## Dimensions Drawings

# LV510315



Type	A	A1	A2	A3	A4	A5	A6	A7	A8	A9	B	B1	B2	C1	C2	C3	E1
CVS100/160/250	80.5	161	94	145	178.5	155.5	236	169	220	253.5	52.5	105	140	81	86	111 <sup>(2)</sup>	62.5
CVS400/630	127.5	255	142.5	200	237	227.5	355	242.5	300	337	70	140	185	95.5	110	168	100
Type	E2	E3	E4	E5	E6	E7	E8	F1	F2	F3	G1	G2	G3	G4	G5	ØT	U
CVS100/160/250	125	70	140	137.5	200	145	215	35	17.5	70	96	75	13.5	23	17.5	24	y 32
CVS400/630	200	113.5	227	200	300	213.5	327	45	22.5	90	-	-	-	-	-	32	y 35

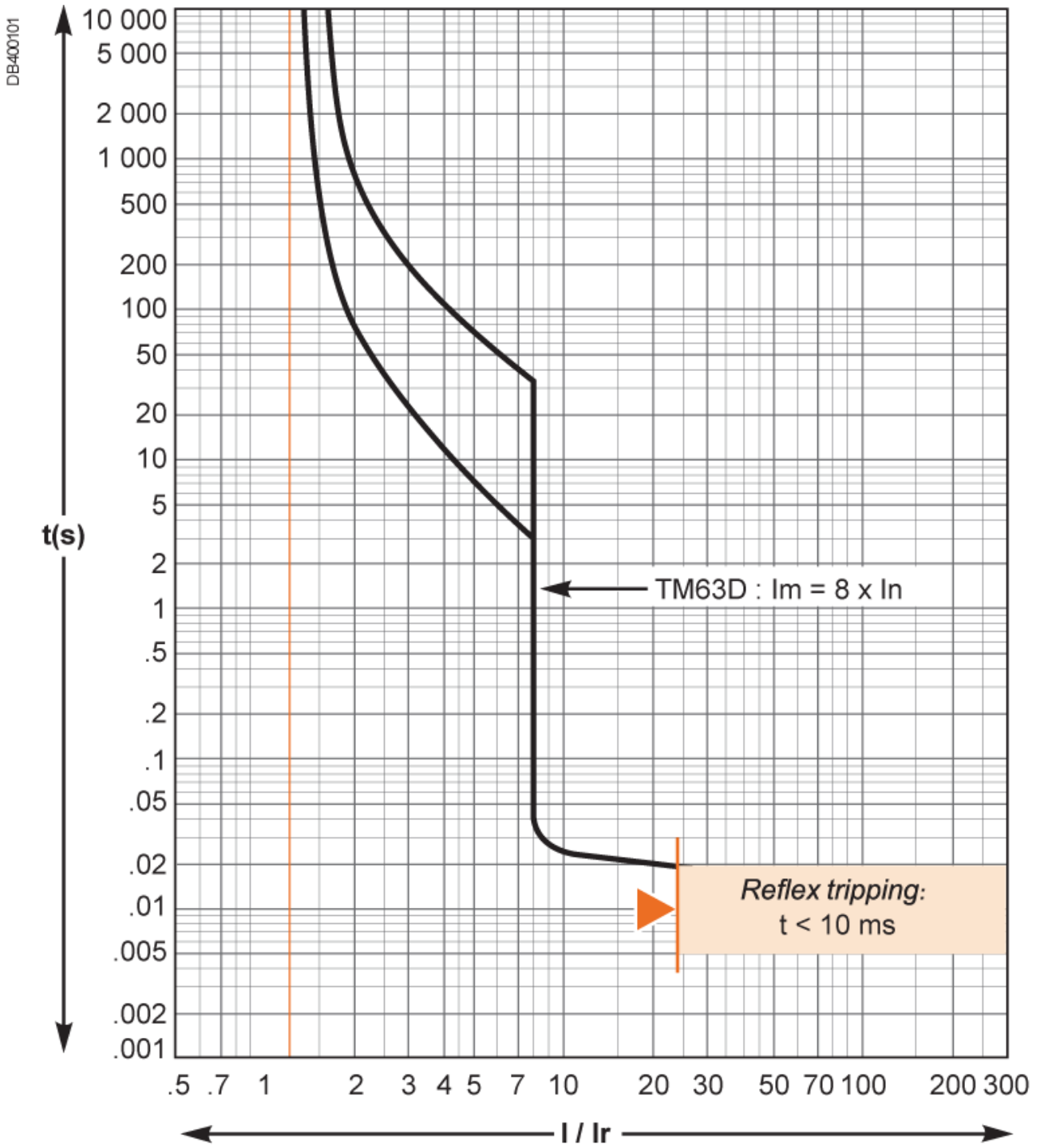
(2) C3=126mm for EasyPact CVS250B.F.



Type	A	A1	A2	A3	A4	A5	A6	A7	A8	A9	B	B1	B2	C1	C2	C3	E1
CVS100/160/250	80.5	161	94	145	178.5	155.5	236	169	220	253.5	52.5	105	140	81	86	111 <sup>(2)</sup>	62.5
CVS400/630	127.5	255	142.5	200	237	227.5	355	242.5	300	337	70	140	185	95.5	110	168	100
Type	E2	E3	E4	E5	E6	E7	E8	F1	F2	F3	G1	G2	G3	G4	G5	ØT	U
CVS100/160/250	125	70	140	137.5	200	145	215	35	17.5	70	95	75	13.5	23	17.5	24	y 32
CVS400/630	200	113.5	227	200	300	213.5	327	45	22.5	90	-	-	-	-	-	32	y 35

(2) C3=126mm for EasyPact CVS250B.F.

Performance Curves



 Reflex tripping.

Recommended replacement(s)