

SACC-DSI-M12MS-8CON-M16 - Device connector, rear mounting



1441804

<https://www.phoenixcontact.com/in/products/1441804>

Please be informed that the data shown in this PDF document is generated from our Online Catalog. Please find the complete data in the user documentation. Our General Terms of Use for Downloads are valid.



Device connector, rear mounting, 8-position, Plug, straight, M12, coding: A , Rear mounting, M16 x 1.5, Solder pins, Alternative product in accordance with RoHS II without Exemption 6c (Pb <0.1%) item no.: 1239739

Your advantages

- Easy PCB assembly: one-piece connectors for wave soldering
- All standard pin assignments and codings for signal, data, and power transmission with a uniform design-in design
- SPEEDCON fast locking system reduces cabling times

Commercial Data

| | |
|--------------------------------------|---------------------|
| Item number | 1441804 |
| Packing unit | 20 pc |
| Minimum order quantity | 20 pc |
| Sales Key | ABQ |
| Product Key | ABQCAA |
| Catalog Page | Page 250 (C-2-2013) |
| GTIN | 4046356534000 |
| Weight per Piece (including packing) | 14.32 g |
| Weight per Piece (excluding packing) | 14.115 g |
| Customs tariff number | 85366990 |
| Country of origin | DE |

SACC-DSI-M12MS-8CON-M16 - Device connector, rear mounting



1441804

<https://www.phoenixcontact.com/in/products/1441804>

Technical Data

Notes

| | |
|--------------------|--|
| Notes on operation | The electrical and mechanical data specified assume that the connector pair is correctly locked and mounted. If the connector is unlocked and if there is a danger of contamination, the connector must be sealed using a protective cap > IP54. Influences arising from litz wires, cables or PCB assembly must also be taken into consideration. |
|--------------------|--|

Mounting

| | |
|-----------------------|---------------------------------------|
| Mounting type | Rear mounting M16 x 1.5 With flat nut |
| Assembly instructions | With flat nut |

Product properties

| | |
|---------------------|-----------------------------------|
| Product type | Circular connectors (device side) |
| Number of positions | 8 |
| Shielded | no |
| Coding | A |
| Thread type | M12 |

Insulation characteristics

| | |
|----------------------|----|
| Overvoltage category | II |
| Degree of pollution | 3 |

Dimensions

| | |
|--------------------------|--------------|
| Dimensional drawing | |
| Length of the solder pin | 6 mm 6 mm |

Material specifications

| | |
|--|------------------------------|
| Flammability rating according to UL 94 | V0 |
| Seal material | NBR |
| Contact material | CuZn |
| Contact surface material | Au |
| Contact carrier material | PA 6.6 |
| Material for screw connection | Zinc die-cast, nickel-plated |

Electrical properties

| | |
|---------------------|--------|
| Rated surge voltage | 0.8 kV |
|---------------------|--------|

SACC-DSI-M12MS-8CON-M16 - Device connector, rear mounting



1441804

<https://www.phoenixcontact.com/in/products/1441804>

| | |
|--------------------------------|----------|
| Contact resistance | ≤ 3 mΩ |
| Insulation resistance | ≥ 100 MΩ |
| Nominal voltage U _N | 30 V |
| Nominal current I _N | 2 A |

Connection data

Conductor connection

| | |
|-------------------|-------------|
| Connection method | Solder pins |
| Tightening torque | 3 Nm |
| | 4 Nm |

Connector

Connection 1

| | |
|-------------------|----------|
| Head design | Plug |
| Head cable outlet | straight |
| Head thread type | M12 |
| Coding | A |

Cable/line

| | |
|---------------------------------|---|
| Ambient temperature (operation) | -40 °C ... 85 °C (cable, fixed installation) |
| | -25 °C ... 85 °C (Cable, flexible installation) |

Environmental and real-life conditions

Ambient conditions

| | |
|---------------------------------|---|
| Degree of protection | IP67 (When plugged in) |
| | IP65 (When plugged in) |
| | IP65/IP67 |
| Ambient temperature (operation) | -25 °C ... 85 °C (Plug / socket) |
| | -40 °C ... 85 °C (without mechanical actuation) |
| | -25 °C ... 85 °C (Cable, flexible installation) |
| | -40 °C ... 85 °C (cable, fixed installation) |

Standards and regulations

| | |
|--------------------------|-----------------|
| Standards/specifications | IEC 61076-2-101 |
|--------------------------|-----------------|

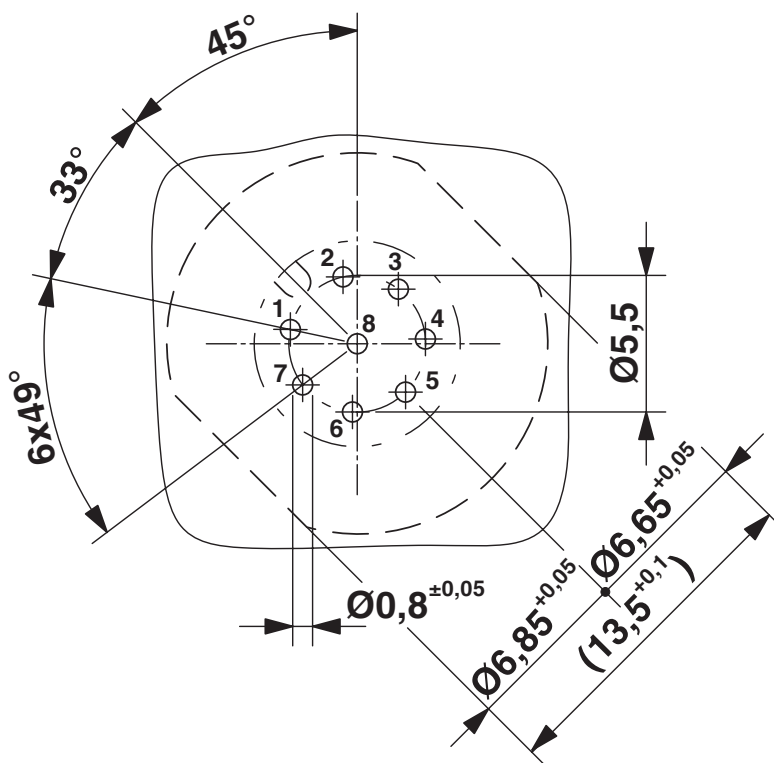
SACC-DSI-M12MS-8CON-M16 - Device connector, rear mounting

1441804

<https://www.phoenixcontact.com/in/products/1441804>

Drawings

Drilling plan/solder pad geometry

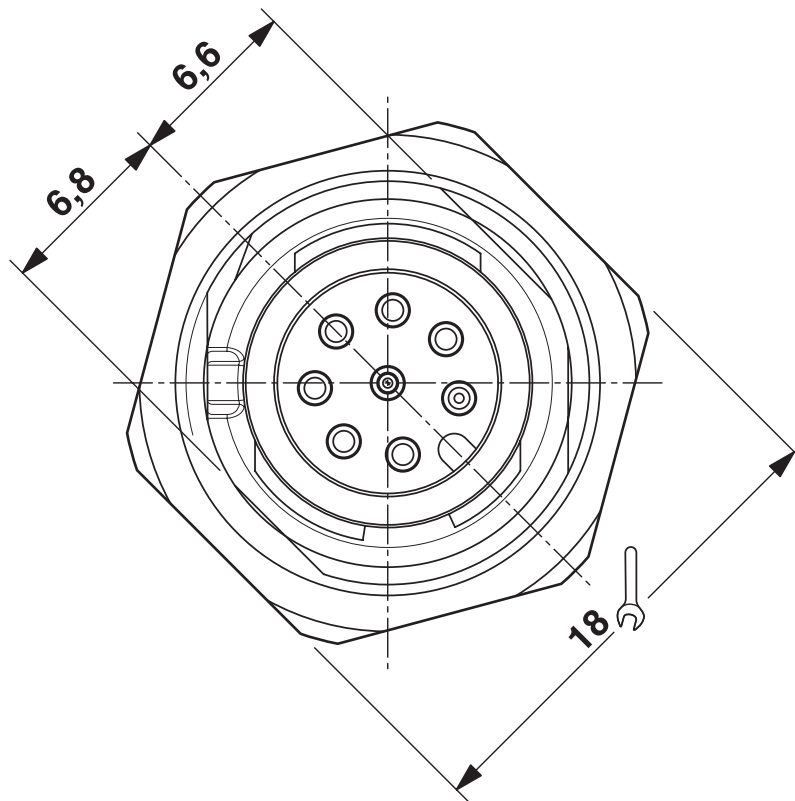


SACC-DSI-M12MS-8CON-M16 - Device connector, rear mounting

1441804

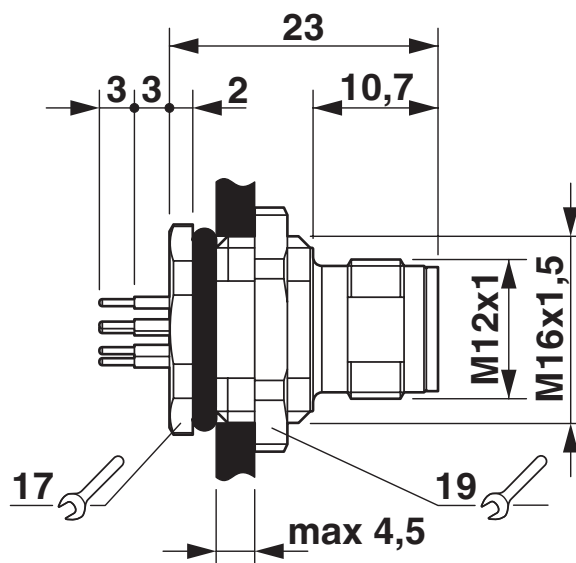
<https://www.phoenixcontact.com/in/products/1441804>

Dimensional drawing



M12 front view

Dimensional drawing

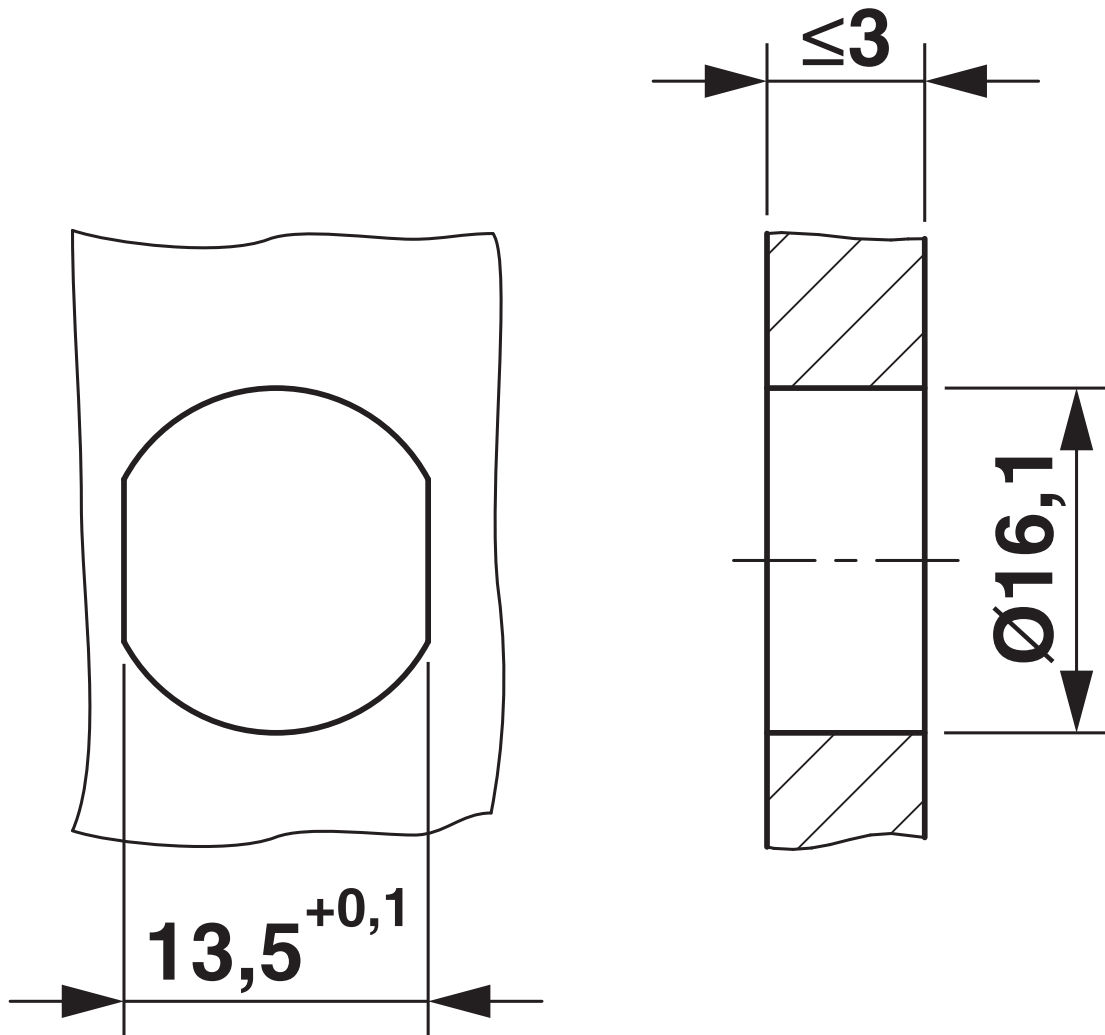


SACC-DSI-M12MS-8CON-M16 - Device connector, rear mounting

1441804

<https://www.phoenixcontact.com/in/products/1441804>

Dimensional drawing



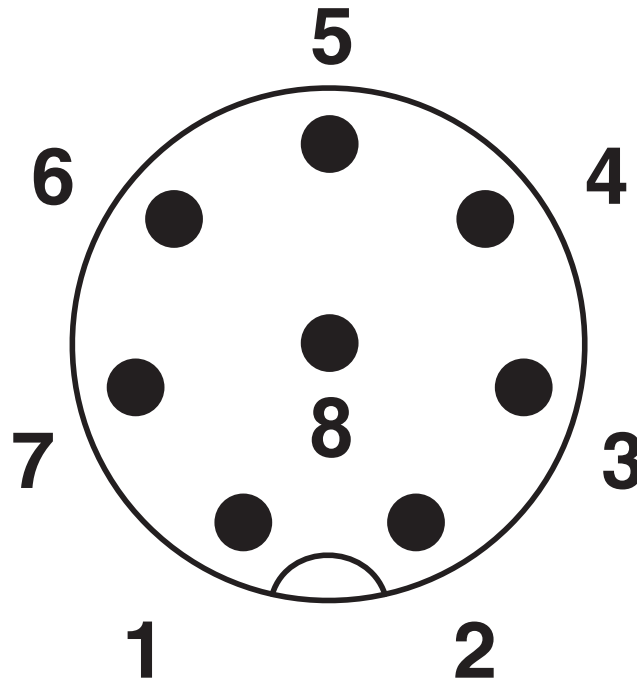
Housing cutout for M16 fastening thread, mounting panel with feed-through hole (alternatively with area as anti-rotation protection for panel thicknesses > 2 mm up to max. 4.5 mm)

SACC-DSI-M12MS-8CON-M16 - Device connector, rear mounting

1441804

<https://www.phoenixcontact.com/in/products/1441804>

Schematic diagram



Pin assignment M12 plug, 8-pos., view plug side

SACC-DSI-M12MS-8CON-M16 - Device connector, rear mounting



1441804

<https://www.phoenixcontact.com/in/products/1441804>

Approvals



UL Recognized

Approval ID: E118976-20100522

| | Nominal Voltage U_N | Nominal Current I_N | Cross Section AWG | Cross Section mm^2 |
|--|-----------------------|-----------------------|-------------------|-----------------------------|
| | 30 V | 2 A | - 24 | - |



EAC

Approval ID: B.01687



cULus Recognized

Approval ID: E221474-20140616

| | Nominal Voltage U_N | Nominal Current I_N | Cross Section AWG | Cross Section mm^2 |
|--|-----------------------|-----------------------|-------------------|-----------------------------|
| | 30 V | 2 A | 24 - 22 | - |

SACC-DSI-M12MS-8CON-M16 - Device connector, rear mounting



1441804

<https://www.phoenixcontact.com/in/products/1441804>

Classifications

ECLASS

| | |
|-------------|----------|
| ECLASS-11.0 | 27440102 |
| ECLASS-12.0 | 27440116 |
| ECLASS-13.0 | 27440116 |

ETIM

| | |
|----------|----------|
| ETIM 8.0 | EC002635 |
|----------|----------|

UNSPSC

| | |
|-------------|----------|
| UNSPSC 21.0 | 39121400 |
|-------------|----------|

SACC-DSI-M12MS-8CON-M16 - Device connector, rear mounting



1441804

<https://www.phoenixcontact.com/in/products/1441804>

Environmental Product Compliance

| | |
|------------|--|
| REACH SVHC | Lead 7439-92-1 |
| China RoHS | Environmentally Friendly Use Period = 50 years |
| | For information on hazardous substances, refer to the manufacturer's declaration available under "Downloads" |

SACC-DSI-M12MS-8CON-M16 - Device connector, rear mounting



1441804

<https://www.phoenixcontact.com/in/products/1441804>

Accessories

SACC-M16-SEAL CLM - Flat gasket

1430394

<https://www.phoenixcontact.com/in/products/1430394>

M16 flat gasket for M12 flush-type connectors with M16 fastening thread



PROT-M12 FS - Sealing cap

1560251

<https://www.phoenixcontact.com/in/products/1560251>

M12 sealing cap for unoccupied M12 plugs of the sensor/actuator cable, flush-type plugs and I/O devices in the field



SACC-DSI-M12MS-8CON-M16 - Device connector, rear mounting



1441804

<https://www.phoenixcontact.com/in/products/1441804>

PROT-M12 FS-M - Sealing cap

1430488

<https://www.phoenixcontact.com/in/products/1430488>



M12 metal sealing cap for unoccupied M12 plugs of the sensor/actuator cable,
flush-type plugs and I/O devices in the field

Phoenix Contact 2023 © - all rights reserved
<https://www.phoenixcontact.com>

PHOENIX CONTACT (I) Pvt. Ltd.
A-58/2, Okhla Industrial Area, Phase - II, New Delhi-110 020

+91.1275.71420
info@phoenixcontact.co.in