

SACC-DSI-M12MS-5CON-M16 - Device connector, rear mounting



1441765

<https://www.phoenixcontact.com/in/products/1441765>

Please be informed that the data shown in this PDF document is generated from our Online Catalog. Please find the complete data in the user documentation. Our General Terms of Use for Downloads are valid.



Device connector, rear mounting, 5-position, Plug, straight, M12, coding: A , Rear mounting, M16 x 1.5, Solder pins, Alternative product in accordance with RoHS II without Exemption 6c (Pb <0.1%) item no.: 1239735

Your advantages

- Easy PCB assembly: one-piece connectors for wave soldering
- All standard pin assignments and codings for signal, data, and power transmission with a uniform design-in design
- SPEEDCON fast locking system reduces cabling times

Commercial Data

Item number	1441765
Packing unit	20 pc
Minimum order quantity	20 pc
Sales Key	ABQ
Product Key	ABQCAA
Catalog Page	Page 250 (C-2-2013)
GTIN	4046356533966
Weight per Piece (including packing)	14.36 g
Weight per Piece (excluding packing)	14.36 g
Customs tariff number	85366990
Country of origin	DE

SACC-DSI-M12MS-5CON-M16 - Device connector, rear mounting



1441765

<https://www.phoenixcontact.com/in/products/1441765>

Technical Data

Notes

Notes on operation	The electrical and mechanical data specified assume that the connector pair is correctly locked and mounted. If the connector is unlocked and if there is a danger of contamination, the connector must be sealed using a protective cap > IP54. Influences arising from litz wires, cables or PCB assembly must also be taken into consideration.
--------------------	--

Mounting

Mounting type	Rear mounting M16 x 1.5 With flat nut
Assembly instructions	With flat nut

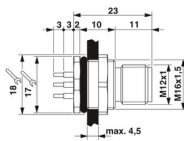
Product properties

Product type	Circular connectors (device side)
Number of positions	5
Shielded	no
Coding	A
Thread type	M12

Insulation characteristics

Overvoltage category	II
Degree of pollution	3

Dimensions

Dimensional drawing	
Length of the solder pin	6 mm 6 mm

Material specifications

Flammability rating according to UL 94	V0
Seal material	NBR
Contact material	CuZn
Contact surface material	Au
Contact carrier material	PA 6.6
Material for screw connection	Zinc die-cast, nickel-plated

Electrical properties

Rated surge voltage	1.5 kV
---------------------	--------

SACC-DSI-M12MS-5CON-M16 - Device connector, rear mounting



1441765

<https://www.phoenixcontact.com/in/products/1441765>

Contact resistance	≤ 3 mΩ
Insulation resistance	≥ 100 MΩ
Nominal voltage U_N	60 V
Nominal current I_N	4 A

Connection data

Conductor connection

Connection method	Solder pins
Tightening torque	3 Nm
	4 Nm

Connector

Connection 1

Head design	Plug
Head cable outlet	straight
Head thread type	M12
Coding	A

Cable/line

Ambient temperature (operation)	-40 °C ... 85 °C (cable, fixed installation)
	-25 °C ... 85 °C (Cable, flexible installation)

Environmental and real-life conditions

Ambient conditions

Degree of protection	IP67 (When plugged in)
	IP65 (When plugged in)
	IP65/IP67
Ambient temperature (operation)	-25 °C ... 85 °C (Plug / socket)
	-40 °C ... 85 °C (without mechanical actuation)
	-25 °C ... 85 °C (Cable, flexible installation)
	-40 °C ... 85 °C (cable, fixed installation)

Standards and regulations

Standards/specifications	IEC 61076-2-101
--------------------------	-----------------

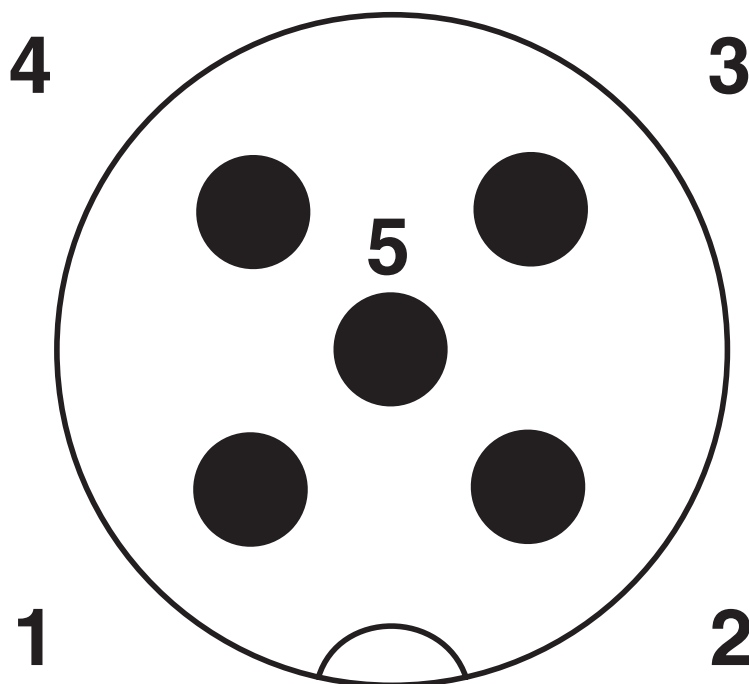
SACC-DSI-M12MS-5CON-M16 - Device connector, rear mounting

1441765

<https://www.phoenixcontact.com/in/products/1441765>

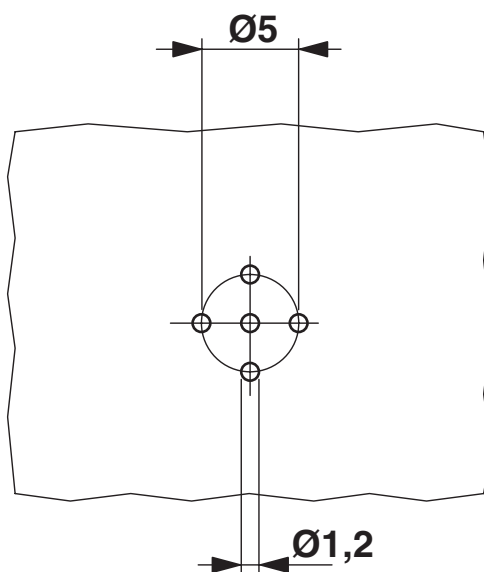
Drawings

Schematic diagram



Pin assignment M12 male connector, 5-pos., A-coded, male side

Drilling plan/solder pad geometry

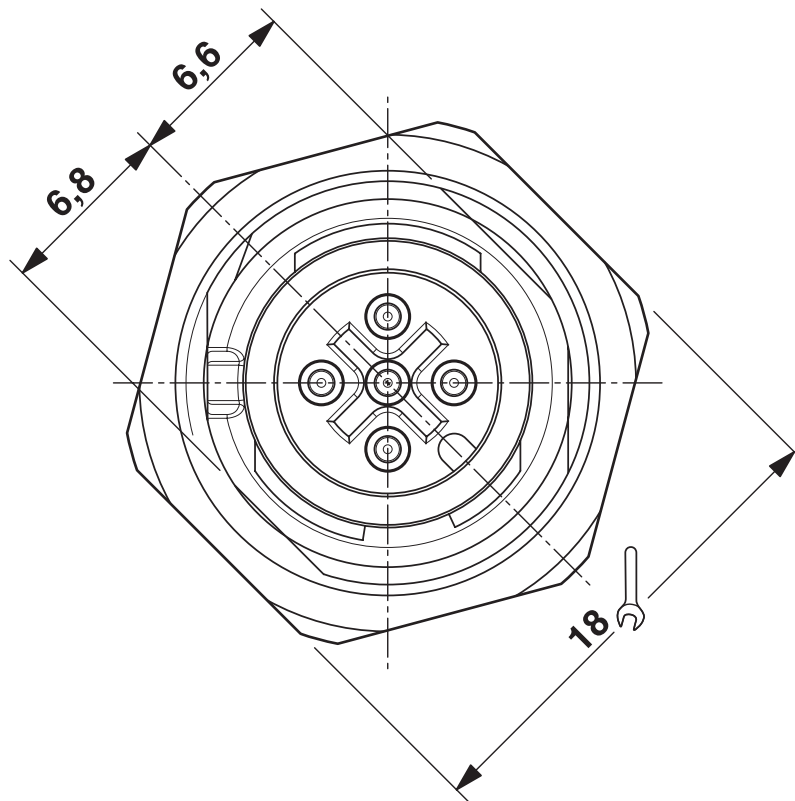


SACC-DSI-M12MS-5CON-M16 - Device connector, rear mounting

1441765

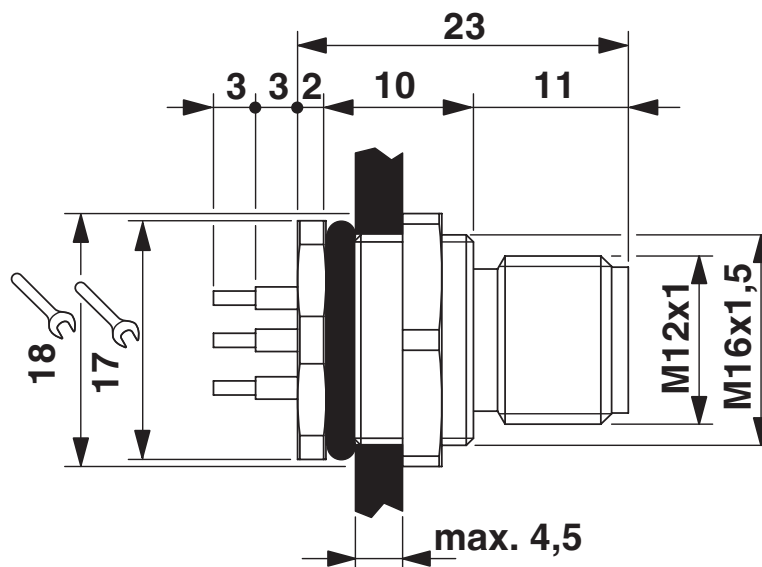
<https://www.phoenixcontact.com/in/products/1441765>

Dimensional drawing



M12 front view

Dimensional drawing



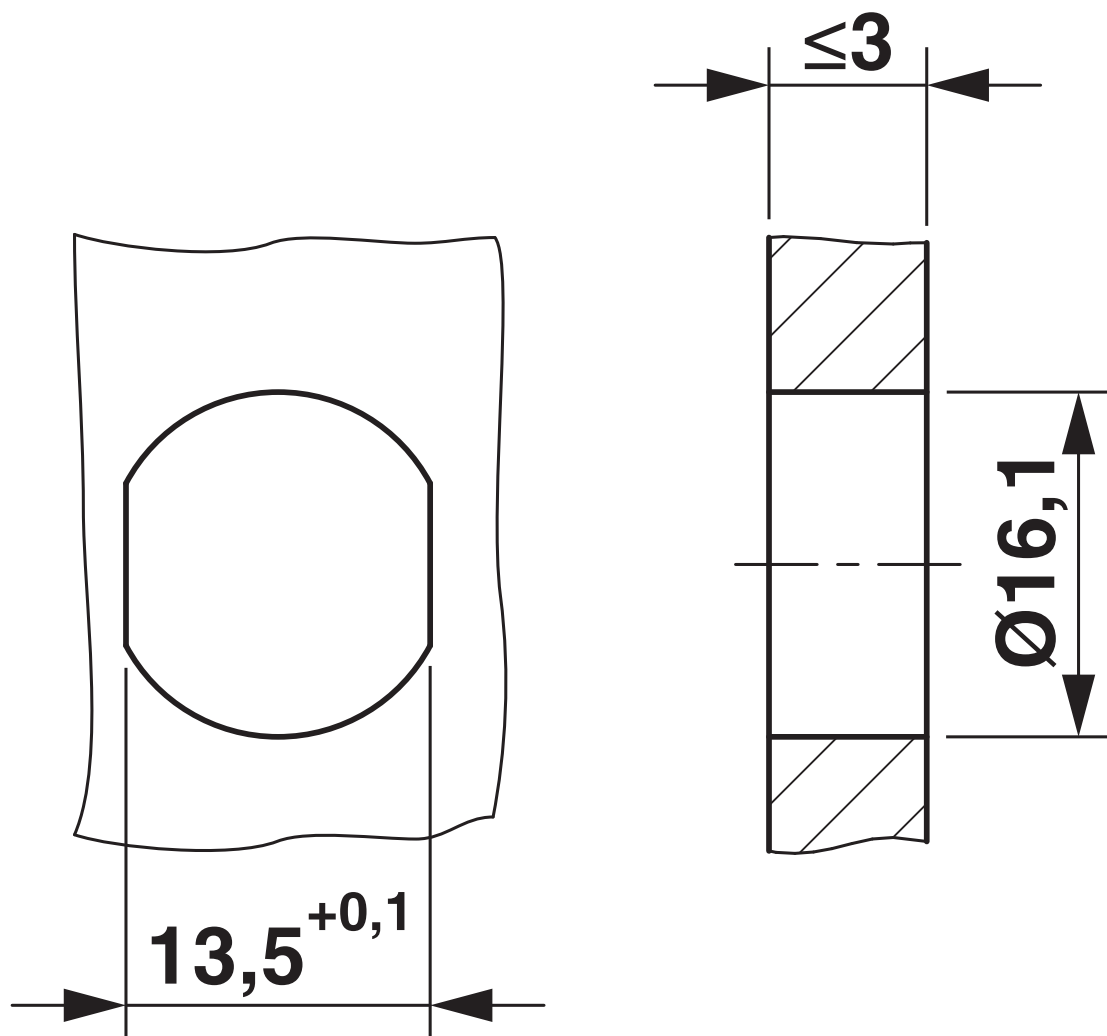
Dimensional drawing

SACC-DSI-M12MS-5CON-M16 - Device connector, rear mounting

1441765

<https://www.phoenixcontact.com/in/products/1441765>

Dimensional drawing



Housing cutout for M16 fastening thread, mounting panel with feed-through hole (alternatively with area as anti-rotation protection for panel thicknesses > 2 mm up to max. 4.5 mm)


SACC-DSI-M12MS-5CON-M16 - Device connector, rear mounting




1441765

<https://www.phoenixcontact.com/in/products/1441765>

Approvals

 cUL Recognized Approval ID: E118976-20100522				
	Nominal Voltage U_N	Nominal Current I_N	Cross Section AWG	Cross Section mm^2
	60 V	4 A	- 22	-

 UL Recognized Approval ID: E118976-20100522				
	Nominal Voltage U_N	Nominal Current I_N	Cross Section AWG	Cross Section mm^2
	60 V	4 A	- 22	-

 EAC Approval ID: B.01687				
---	--	--	--	--

 cULus Recognized Approval ID: E221474-20140616				
	Nominal Voltage U_N	Nominal Current I_N	Cross Section AWG	Cross Section mm^2
	60 V	4 A	22 - 20	-

SACC-DSI-M12MS-5CON-M16 - Device connector, rear mounting



1441765

<https://www.phoenixcontact.com/in/products/1441765>

Classifications

ECLASS

ECLASS-11.0	27440102
ECLASS-12.0	27440116
ECLASS-13.0	27440116

ETIM

ETIM 8.0	EC002635
----------	----------

UNSPSC

UNSPSC 21.0	39121400
-------------	----------

SACC-DSI-M12MS-5CON-M16 - Device connector, rear mounting



1441765

<https://www.phoenixcontact.com/in/products/1441765>

Environmental Product Compliance

REACH SVHC	Lead 7439-92-1
China RoHS	Environmentally Friendly Use Period = 50 years
	For information on hazardous substances, refer to the manufacturer's declaration available under "Downloads"

SACC-DSI-M12MS-5CON-M16 - Device connector, rear mounting



1441765

<https://www.phoenixcontact.com/in/products/1441765>

Accessories

SACC-M16-SEAL CLM - Flat gasket

1430394

<https://www.phoenixcontact.com/in/products/1430394>

M16 flat gasket for M12 flush-type connectors with M16 fastening thread



PROT-M12 FS - Sealing cap

1560251

<https://www.phoenixcontact.com/in/products/1560251>

M12 sealing cap for unoccupied M12 plugs of the sensor/actuator cable, flush-type plugs and I/O devices in the field



SACC-DSI-M12MS-5CON-M16 - Device connector, rear mounting



1441765

<https://www.phoenixcontact.com/in/products/1441765>

PROT-M12 FS-M - Sealing cap

1430488

<https://www.phoenixcontact.com/in/products/1430488>



M12 metal sealing cap for unoccupied M12 plugs of the sensor/actuator cable,
flush-type plugs and I/O devices in the field

Phoenix Contact 2023 © - all rights reserved
<https://www.phoenixcontact.com>

PHOENIX CONTACT (I) Pvt. Ltd.
A-58/2, Okhla Industrial Area, Phase - II, New Delhi-110 020

+91.1275.71420
info@phoenixcontact.co.in