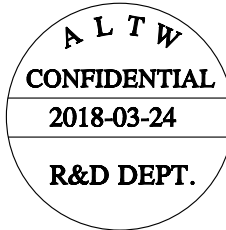
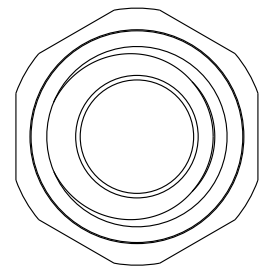
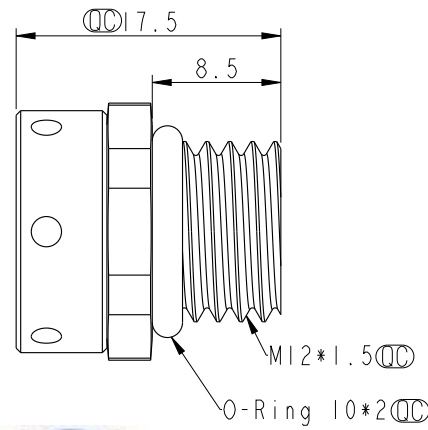
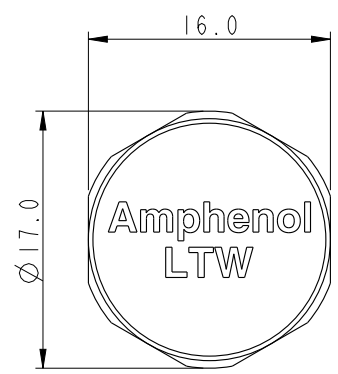
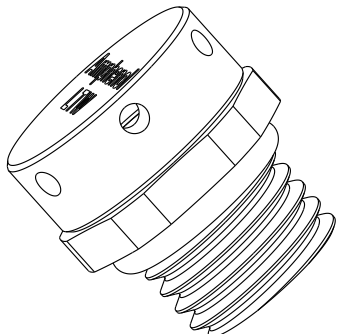
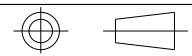


THIS DOCUMENT IS SUBJECT TO CHANGE WITHOUT NOTICE. IT IS CONFIDENTIAL AND A PROPERTY OF Amphenol LTW. DISCLOSURE TO THIRD PARTY HAS TO BE AUTHORIZED BY Amphenol LTW.

REV.	ECN NO.	DATE	SIGN	DESCRIPTION
A	Initial Release	2018/03/24	Ethan	



UNIT: mm



TITLE Metal M12*1.5 VENT		
SCALE 2:1	SIZE A4	SHEET 1 OF 2
REV. A	WC-REV. A.6	☉: Inspection item

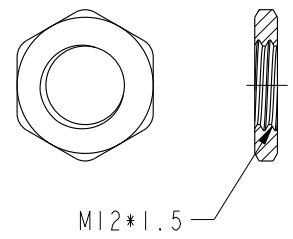
**Amphenol LTW**  
安費諾亮泰企業股份有限公司

ITEM NO. VENT-MSINMS-08001	DRAWN BY Ethan	DATE 2018-03-24
DWG NO. VENT-MSINMS-08001	CHECKED BY Feng-li	DATE 2018-03-24
CUSTOMER ALTW	APPROVED BY Jerry	DATE 2018-03-24

THIS DOCUMENT IS SUBJECT TO CHANGE WITHOUT NOTICE. IT IS CONFIDENTIAL AND A PROPERTY OF Amphenol LTW. DISCLOSURE TO THIRD PARTY HAS TO BE AUTHORIZED BY Amphenol LTW.

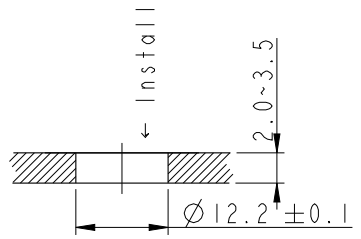
REV.	ECN NO.	DATE	SIGN	DESCRIPTION

Screw Nut: Optional part  
 No.: APTM-AMBPC012-001  
 鐵件螺母作為選配件



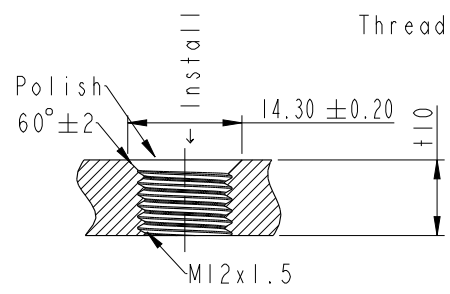
M12\*1.5

Through-hole

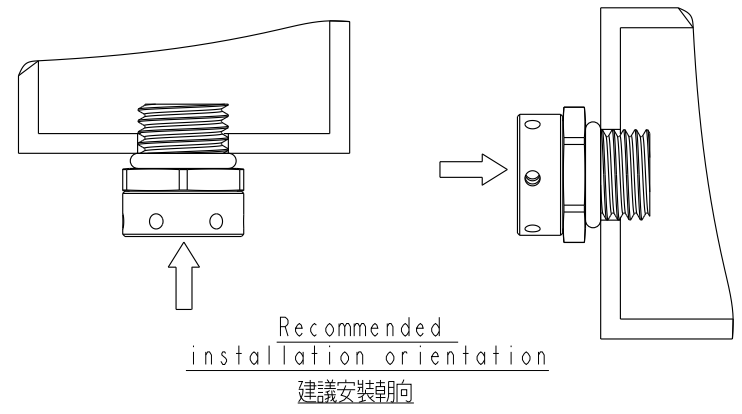
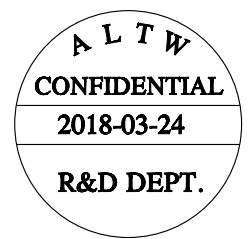


Recommended Panel Cut-Out  
 建議開孔尺寸

Threaded-hole



Recommended Panel Cut-Out  
 建議開孔尺寸



- Note:
- \*  $\varnothing$  Important Dimension.
  - \* Waterproof Rate: IP68 (Immersion for 60 minutes at a depth of 2 meter), IP69K
  - \* Housing: SUS316L
  - \* Cap: SUS316L
  - \* Membrane: ePTFE, Oleophobic
  - \* O-Ring: Silicone, 94V-0
  - \* Air Permeability: >1600ml/min @70mbar

UNIT: mm			TITLE Metal M12*1.5 VENT
TOLERANCE .X ±0.25 .XX ±0.1 .XXX ±0.05 ANGLES ±1°	SCALE 2:1	SIZE A4	SHEET 2 OF 2
REV. A	WC-REV. A.6	$\varnothing$ : Inspection item	

**Amphenol LTW**  
 安費諾亮泰企業股份有限公司

ITEM NO VENT-MSINMS-08001	DRAWN BY Ethan	DATE 2018-03-24
DWG NO VENT-MSINMS-08001	CHECKED BY Feng-li	DATE 2018-03-24
CUSTOMER ALTW	APPROVED BY Jerry	DATE 2018-03-24