

# G-INS-M32-S68N-NNES-S - Cable gland



1424528

<https://www.phoenixcontact.com/in/products/1424528>

Please be informed that the data shown in this PDF document is generated from our Online Catalog. Please find the complete data in the user documentation. Our General Terms of Use for Downloads are valid.



Cable gland, material for screw connection: Nickel-plated brass, external cable diameter 13 mm .  
.. 18 mm, shielding: no, connecting thread: M32 x 1.5, color: silver, with O-ring

## Commercial Data

Item number	1424528
Packing unit	5 pc
Minimum order quantity	5 pc
Sales Key	BF7
Product Key	BF7DAX
Catalog Page	Page 688 (C-2-2019)
GTIN	4055626374338
Weight per Piece (including packing)	88.54 g
Weight per Piece (excluding packing)	88.54 g
Customs tariff number	74198090
Country of origin	TR

# G-INS-M32-S68N-NNES-S - Cable gland

1424528

<https://www.phoenixcontact.com/in/products/1424528>

## Technical Data

### Mounting

Assembly instructions	1) Mount screw connection support in the housing using the correct torque 2) Insert cable 3) Tighten union nut using the correct torque
-----------------------	---

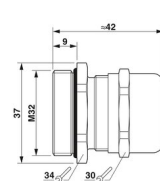
### Product properties

Product type	Full screw connection
No. of conductors	1
Manufacturer	BIMED
Manufacturer Designation	BMBC-04
Shielded	no
Execution of the strain relief	A

### Characteristics

Category of shock impact	6
Design, Strain relief	A

### Dimensions

Dimensional drawing	
Length	42 mm
Length of the connecting thread	9 mm
Hole diameter	32.1 mm ... 32.3 mm
Wrench size, union nut	30 mm
Wrench size, support	34 mm
Hexagon angular dimension	37 mm
Thread type connection side	M32 x 1.5
Thread pitch	1.5 mm

### Material specifications

Color	silver
Material Compression ring	PA 6
Seal material O-ring	Perbunan
Seal material Cable seal	CR
Material for screw connection	Nickel-plated brass

### Cable/line

External cable diameter	13 mm ... 18 mm
	13 mm ... 18 mm (for UL 514 B)

# G-INS-M32-S68N-NNES-S - Cable gland



1424528

<https://www.phoenixcontact.com/in/products/1424528>

## Environmental and real-life conditions

### Ambient conditions

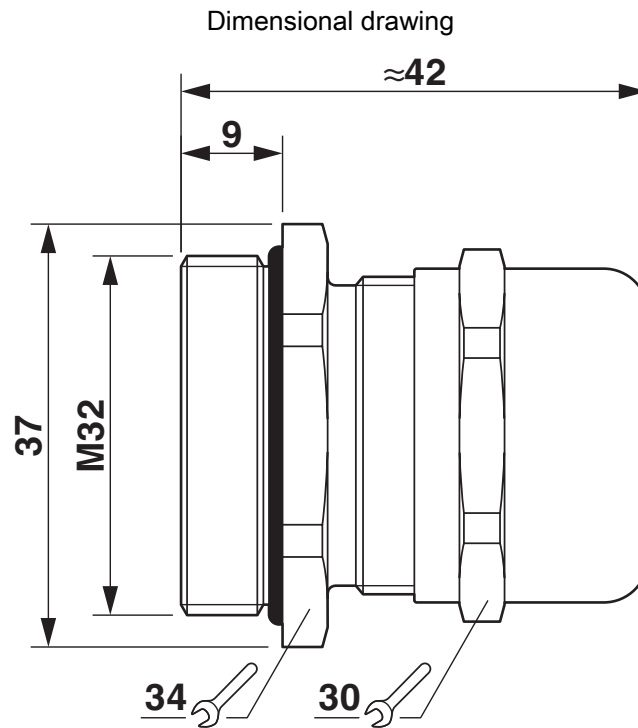
Degree of protection	IP69
	IP68 (5 bar, 30 min.)
	IP66
Ambient temperature (operation)	-40 °C ... 100 °C (static)

# G-INS-M32-S68N-NNES-S - Cable gland

1424528

<https://www.phoenixcontact.com/in/products/1424528>

## Drawings



Dimensional drawing


# G-INS-M32-S68N-NNES-S - Cable gland



1424528

<https://www.phoenixcontact.com/in/products/1424528>

## Approvals

 **UL Listed**  
Approval ID: E199260

 **cUL Listed**  
Approval ID: E199260

# G-INS-M32-S68N-NNES-S - Cable gland



1424528

<https://www.phoenixcontact.com/in/products/1424528>

## Classifications

### ECLASS

ECLASS-11.0	27144432
ECLASS-12.0	27140801
ECLASS-13.0	27140801

### ETIM

ETIM 8.0	EC000441
----------	----------

### UNSPSC

UNSPSC 21.0	39121300
-------------	----------

# G-INS-M32-S68N-NNES-S - Cable gland



1424528

<https://www.phoenixcontact.com/in/products/1424528>

## Environmental Product Compliance

REACH SVHC	Lead 7439-92-1
China RoHS	Environmentally Friendly Use Period = 50 years
	For information on hazardous substances, refer to the manufacturer's declaration available under "Downloads"

# G-INS-M32-S68N-NNES-S - Cable gland



1424528

<https://www.phoenixcontact.com/in/products/1424528>

## Accessories

### A-INL-M32-N-S - Counter nut

1411244

<https://www.phoenixcontact.com/in/products/1411244>

Counter nut, for threads M32 x 1.5, color: silver



---

### SEALING PLUG 17X17 RD - Closing cap

1421861

<https://www.phoenixcontact.com/in/products/1421861>

Closing cap, color: red



---

Phoenix Contact 2023 © - all rights reserved

<https://www.phoenixcontact.com>

PHOENIX CONTACT (I) Pvt. Ltd.

A-58/2, Okhla Industrial Area, Phase - II, New Delhi-110 020

+91.1275.71420

[info@phoenixcontact.co.in](mailto:info@phoenixcontact.co.in)