

A-INL-M32-N-S - Counter nut

1411244

<https://www.phoenixcontact.com/in/products/1411244>

Please be informed that the data shown in this PDF document is generated from our Online Catalog. Please find the complete data in the user documentation. Our General Terms of Use for Downloads are valid.

Counter nut, for threads M32 x 1.5, color: silver



Commercial Data

Item number	1411244
Packing unit	100 pc
Minimum order quantity	100 pc
Sales Key	BF7
Product Key	BF7DZX
Catalog Page	Page 688 (C-2-2019)
GTIN	4046356923774
Weight per Piece (including packing)	10.5 g
Weight per Piece (excluding packing)	10.076 g
Customs tariff number	74198090
Country of origin	DE

A-INL-M32-N-S - Counter nut

1411244

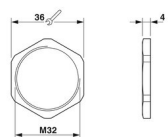
<https://www.phoenixcontact.com/in/products/1411244>

Technical Data

Product properties

Product type	Flat nut
Thread type	M32

Dimensions

Dimensional drawing	
Length	4 mm
Diameter	32 mm
Connecting thread diameter	32 mm
Wrench size, counter nut	36 mm
Hexagon angular dimension	40 mm
Thread type connection side	M32 x 1.5
Thread pitch	1.5 mm

Material specifications

Color	silver
Material	Brass, nickel-plated

Cable/line

Halogen-free	yes
--------------	-----

Environmental and real-life conditions

Ambient conditions

Ambient temperature (operation)	-70 °C ... 220 °C
---------------------------------	-------------------

A-INL-M32-N-S - Counter nut

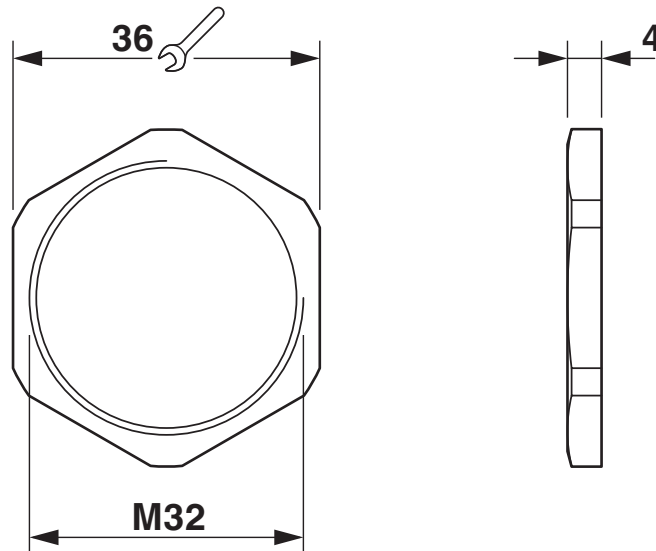
1411244

<https://www.phoenixcontact.com/in/products/1411244>



Drawings

Dimensional drawing



A-INL-M32-N-S - Counter nut



1411244

<https://www.phoenixcontact.com/in/products/1411244>

Classifications

ECLASS

ECLASS-11.0

27144424

ETIM

ETIM 8.0

EC000940

UNSPSC

UNSPSC 21.0

31161700

A-INL-M32-N-S - Counter nut



1411244

<https://www.phoenixcontact.com/in/products/1411244>

Environmental Product Compliance

REACH SVHC	Lead 7439-92-1
China RoHS	Environmentally Friendly Use Period = 50 years
	For information on hazardous substances, refer to the manufacturer's declaration available under "Downloads"

Phoenix Contact 2023 © - all rights reserved
<https://www.phoenixcontact.com>

PHOENIX CONTACT (I) Pvt. Ltd.
A-58/2, Okhla Industrial Area, Phase - II, New Delhi-110 020

+91.1275.71420
info@phoenixcontact.co.in