

Product datasheet

Specifications



motion servo drive - Lexium 26 -
single and three phase 200...230 V -
1.5 kW

LXM26DU15M3X

Main

| | |
|---------------------------|---|
| Range of product | Easy Lexium 26 |
| Product or component type | Motion servo drive |
| Device short name | LXM26D |
| Format of the drive | Compact housing |
| Line current | 10 A 166.6 % at 220 V, single phase 10 A 144.8 % at 220 V, three phase |

Complementary

| | |
|---------------------------|--|
| Network number of phases | Single phase Three phase |
| [Us] rated supply voltage | 220 V (- 10...15 %) for three phase 220 V (- 20...15 %) for single phase |
| Supply voltage limits | 200...255 V three phase 170...255 V single phase |
| Supply frequency | 50/60 Hz - 5...5 % |
| Network frequency | 47.5...63 Hz |
| Continuous output current | 7 A at 16 kHz |
| Output current 3s peak | 21 A at 220 V |
| Continuous power | 1500 W at 220 V |
| Nominal power | 1.5 kW at 220 V 16 kHz |
| Switching frequency | 16 kHz |
| Oversoltage category | III |
| Maximum leakage current | 4.5 mA |
| Output voltage | <= power supply voltage |
| Electrical isolation | Between power and control |
| Type of cable | Twisted shielded pairs cable (single or double) (temperature: 0...55 °C) |
| Electrical connection | Spring terminal, clamping capacity: 1.3...1.5 mm ² , AWG 16 (L1-L2) Spring terminal, clamping capacity: 1.3...1.5 mm ² , AWG 16 (R, S, T) Spring terminal, clamping capacity: 1.3...1.5 mm ² , AWG 16 (U, V, W, PE) Spring terminal, clamping capacity: 1.3...1.5 mm ² , AWG 16 (PA/+, PBe) |
| Tightening torque | PE (ground): 1.4 N.m |
| Discrete input number | 8 programmable (CN1) 1 pulse train input (PTI) (CN1) 2 fast capture (CN1) |

| | |
|--|---|
| Discrete input voltage | 24 V DC for logic |
| Discrete input logic | Positive or negative (CN1) |
| Discrete output number | 5 1 |
| Discrete output type | Logic (CN1) at 12...24 V DC Pulse train output (PTO) (CN1) |
| Discrete output voltage | 12...24 V DC |
| Discrete output logic | Positive or negative (CN1) |
| Analogue input number | 2 |
| Absolute accuracy error | 0.1 % |
| Analogue input type | V_REF voltage analog input: - 10...10 V, impedance: 10 kOhm, resolution: 12 bits T_REF voltage analog input |
| Control signal type | Servo motor encoder feedback CN2 |
| Protection type | Against reverse polarity: inputs signal Against short-circuits: outputs signal Overcurrent: motor Overvoltage: motor Undervoltage: motor Overheating: motor Overload: motor Overspeed: motor |
| Physical interface | RS485 for Modbus Serial line slave |
| Status LED | 1 LED (red) charge |
| Signalling function | Servo status and fault codes five 7-segment display units |
| Marking | CULus CE CSA |
| Type of cooling | Integrated fan |
| Operating position | Vertical |
| Product compatibility | Servo motor BCH2 (130 mm, 2 motor stacks) |
| Width | 55 mm |
| Height | 150 mm |
| Depth | 177 mm |
| Net weight | 1.2 kg |
| Environment | |
| EMC filter | Without EMC filter |
| Electromagnetic compatibility | Conducted emission - test level: level 3 category C3 conforming to EN/IEC 61800-3 |
| Standards | EN/IEC 61800-5-1 |
| Product certifications | cULus CSA CE |
| IP degree of protection | IP20 |
| Vibration resistance | 3M4 amplitude = 3 mm (f = 9...200 Hz) conforming to IEC 60721-3-3 |
| Shock resistance | 10 gn, type I conforming to IEC 60068-2-27 |
| Relative humidity | 5...95 % without condensation |
| Ambient air temperature for operation | 0...55 °C |
| Ambient air temperature for storage | -25...65 °C |
| Operating altitude | <= 1000 m without derating > 1000...2000 m 1 % per 100 m |

Packing Units

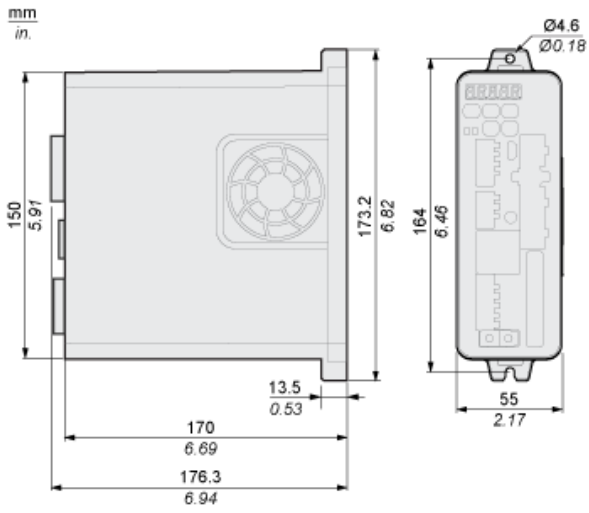
| | |
|------------------------------|-----------|
| Unit Type of Package 1 | PCE |
| Number of Units in Package 1 | 1 |
| Package 1 Height | 7.59 cm |
| Package 1 Width | 23.096 cm |
| Package 1 Length | 23.534 cm |
| Package 1 Weight | 1.481 kg |
| Unit Type of Package 2 | S03 |
| Number of Units in Package 2 | 5 |
| Package 2 Height | 30.0 cm |
| Package 2 Width | 30.0 cm |
| Package 2 Length | 40.0 cm |
| Package 2 Weight | 8.04 kg |

Offer Sustainability

| | |
|----------------------------|---|
| REACH Regulation | REACH Declaration |
| REACH free of SVHC | Yes |
| EU RoHS Directive | Pro-active compliance (Product out of EU RoHS legal scope) EU RoHS Declaration |
| Mercury free | Yes |
| China RoHS Regulation | China RoHS declaration |
| RoHS exemption information | Yes |
| WEEE | The product must be disposed on European Union markets following specific waste collection and never end up in rubbish bins |
| PVC free | Yes |

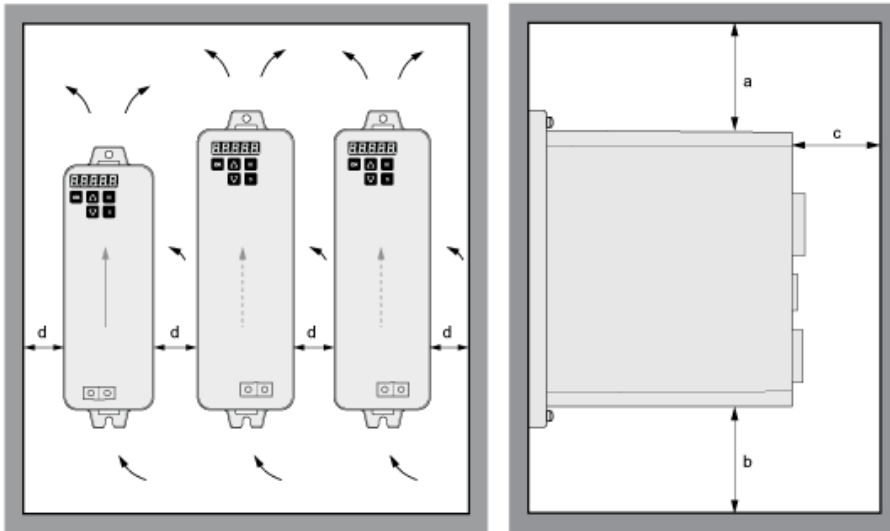
Dimensions

Servo Drive Dimensions



Mounting and Clearance

Clearance



| Distance | Unit | Value |
|---|------------|----------------|
| Free space a above the device | mm (in) | ≥ 50 ≥ 1.97 |
| Free space b below the device | mm (in) | ≥ 50 ≥ 1.97 |
| Free space c in front of the device ⁽¹⁾ | mm (in) | ≥ 60 ≥ 2.36 |
| Free space d between devices | mm (in) | ≥ 15 ≥ 0.59 |

Recommended replacement(s)