

# Product data sheet

Specifications



## module XPSAK - Emergency stop - 120 V AC

XPSAK351144

- ! Discontinued on: 30 June 2021
- ! To be end-of-service on: 31 December 2023

! Discontinued - Service only

### Main

Range of product	Preventa Safety automation
Product or component type	Preventa safety module
Safety module name	XPSAK
Safety module application	For emergency stop, switch, sensing mat/edges or safety light curtain monitoring
Function of module	Monitoring of a movable guard associated with 2 switches and automatic start Sensing mat and edges monitoring Proximity sensor monitoring Monitoring of electro-sensitive protection equipment (ESPE) Multiple emergency stop monitoring 2-channel wiring Monitoring of a movable guard Emergency stop with 2 NC contacts monitoring 2-channel wiring Emergency stop monitoring 1-channel wiring
Safety level	Can reach PL e/category 4 conforming to EN/ISO 13849-1 Can reach SILCL 3 conforming to EN/IEC 62061
Safety reliability data	DC > 99 % conforming to EN/ISO 13849-1 MTTFd = 154.5 years conforming to EN/ISO 13849-1 PFHd = 7.39E-9 1/h conforming to EN/IEC 62061
Type of start	Configurable
Connections - terminals	Captive screw clamp terminals, 1 x 0.14...1 x 2.5 mm <sup>2</sup> flexible with cable end, with double bezel Captive screw clamp terminals, 1 x 0.14...1 x 2.5 mm <sup>2</sup> solid with cable end, with double bezel Captive screw clamp terminals, 1 x 0.25...1 x 1.5 mm <sup>2</sup> flexible with cable end, with double bezel Captive screw clamp terminals, 1 x 0.25...1 x 2.5 mm <sup>2</sup> flexible with cable end, with double bezel Captive screw clamp terminals, 2 x 0.14...2 x 0.75 mm <sup>2</sup> flexible with cable end, with double bezel Captive screw clamp terminals, 2 x 0.14...2 x 0.75 mm <sup>2</sup> solid with cable end, with double bezel Captive screw clamp terminals, 2 x 0.25...2 x 1 mm <sup>2</sup> flexible with cable end, with double bezel Captive screw clamp terminals, 2 x 0.5...2 x 1.5 mm <sup>2</sup> flexible with cable end, with double bezel
Output type	Relay instantaneous opening, 3 NO circuit(s), volt-free
Number of additional circuits	1 NC + 4 solid state outputs
[Us] rated supply voltage	120 V AC - 15...10 % 24 V DC - 15...10 %

### Complementary

Synchronisation time between inputs	2 or 4 s depending of wiring (automatic start) Unlimited (manual start)
Supply frequency	50/60 Hz
Maximum power consumption in VA	6 VA AC
Input protection type	Internal, electronic
[Uc] control circuit voltage	24 V DC

<b>Maximum line resistance</b>	28 Ohm
<b>Breaking capacity</b>	180 VA holding AC-15 C300 relay output 1800 VA inrush AC-15 C300 relay output  1.5 A at 24 V (DC-13) time constant: 50 ms for relay output
<b>Output thermal current</b>	6 A per relay for relay output
<b>[I<sub>th</sub>] conventional free air thermal current</b>	18 A
<b>Associated fuse rating</b>	4 A gG or gL for relay output conforming to EN/IEC 60947-5-1, DIN VDE 0660 part 200 6 A fast blow for relay output conforming to EN/IEC 60947-5-1, DIN VDE 0660 part 200
<b>Minimum output current</b>	10 mA for relay output
<b>Minimum output voltage</b>	17 V for relay output
<b>Maximum response time on input open</b>	40 ms
<b>[U<sub>i</sub>] rated insulation voltage</b>	300 V (pollution degree 2) conforming to IEC 60947-5-1 300 V (pollution degree 2) conforming to DIN VDE 0110 part 1
<b>[U<sub>imp</sub>] rated impulse withstand voltage</b>	4 kV overvoltage category III conforming to IEC 60947-5-1 4 kV overvoltage category III conforming to DIN VDE 0110 part 1
<b>Local signalling</b>	4 LEDs
<b>Current consumption</b>	30 mA at 24 V AC on power supply
<b>Mounting support</b>	35 mm symmetrical DIN rail
<b>Net weight</b>	0.4 kg

## Environment

<b>Standards</b>	EN/ISO 13850 EN/IEC 60204-1 EN 1088/ISO 14119 EN/IEC 60947-5-1
<b>Product certifications</b>	UL TÜV CSA
<b>IP degree of protection</b>	IP20 (terminals) conforming to EN/IEC 60529 IP40 (enclosure) conforming to EN/IEC 60529
<b>Ambient air temperature for operation</b>	-10...55 °C
<b>Ambient air temperature for storage</b>	-25...85 °C

## Packing Units

<b>Unit Type of Package 1</b>	PCE
<b>Number of Units in Package 1</b>	1
<b>Package 1 Height</b>	6.5 cm
<b>Package 1 Width</b>	12.5 cm
<b>Package 1 Length</b>	10.5 cm
<b>Package 1 Weight</b>	465.0 g
<b>Unit Type of Package 2</b>	S02
<b>Number of Units in Package 2</b>	12
<b>Package 2 Height</b>	15.0 cm
<b>Package 2 Width</b>	30.0 cm
<b>Package 2 Length</b>	40.0 cm
<b>Package 2 Weight</b>	6.09 kg

## Offer Sustainability

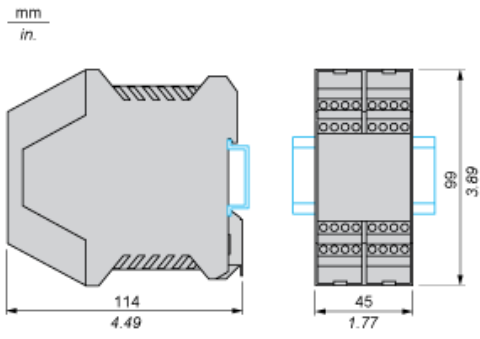
<b>Sustainable offer status</b>	Green Premium product
<b>REACH Regulation</b>	<a href="#">REACH Declaration</a>
<b>EU RoHS Directive</b>	Pro-active compliance (Product out of EU RoHS legal scope) <a href="#">EU RoHS Declaration</a>
<b>Mercury free</b>	Yes
<b>China RoHS Regulation</b>	<a href="#">China RoHS declaration</a>
<b>RoHS exemption information</b>	Yes
<b>Environmental Disclosure</b>	<a href="#">Product Environmental Profile</a>
<b>Circularity Profile</b>	<a href="#">End of Life Information</a>
<b>WEEE</b>	The product must be disposed on European Union markets following specific waste collection and never end up in rubbish bins
<b>PVC free</b>	Yes
<b>California proposition 65</b>	WARNING: This product can expose you to chemicals including: Lead and lead compounds, which is known to the State of California to cause cancer and birth defects or other reproductive harm. For more information go to <a href="http://www.P65Warnings.ca.gov">www.P65Warnings.ca.gov</a>

## Contractual warranty

<b>Warranty</b>	18 months
-----------------	-----------

**Dimensions**


---



**Recommended replacement(s)**

XPSAK351144 is replaced by:

---

1x		Safety module, Harmony Safety Automation, Cat.4, features XPSUAF + PNP/NPN, safety mat, 48-240v AC/DC, screw XPSUAK32AP
----	---	--

---