

# Product data sheet

Specifications



## Harmony XVB, Fixing plate for use on vertical support for modular tower lights, zamak, black

XVBC12

! Discontinued on: 31 March 2023

! End-of-service on: 15 April 2023

! Discontinued

### Main

Range of product	Harmony XVB
Accessory / separate part designation	Fixing plate for mounting on a vertical surface
Accessory / separate part type	Fixing plate
Accessory / separate part category	Mounting and fixing accessories
Product compatibility	XVBC0. XVBC11
Accessory / separate part destination	Illuminated indicator bank
Colour	Black
Material	Zamak

### Complementary

Mounting support	Direct mounting on base unit On fixing base
Net weight	0.38 kg

### Packing Units

Unit Type of Package 1	PCE
Number of Units in Package 1	1
Package 1 Height	5.0 cm
Package 1 Width	7.0 cm
Package 1 Length	12.2 cm
Package 1 Weight	377.0 g
Unit Type of Package 2	S01
Number of Units in Package 2	10
Package 2 Height	15.0 cm
Package 2 Width	15.0 cm
Package 2 Length	40.0 cm
Package 2 Weight	3.995 kg

<b>Unit Type of Package 3</b>	S02
<b>Number of Units in Package 3</b>	20
<b>Package 3 Height</b>	15.0 cm
<b>Package 3 Width</b>	30.0 cm
<b>Package 3 Length</b>	40.0 cm
<b>Package 3 Weight</b>	8.075 kg

## Offer Sustainability

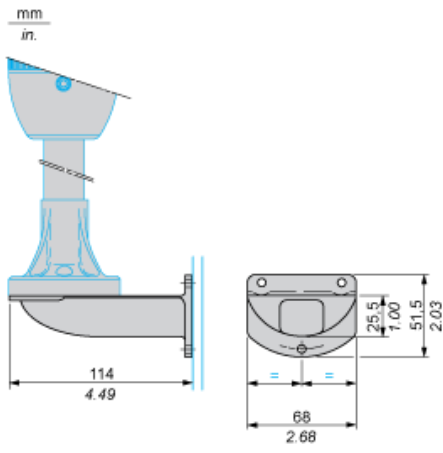
<b>Sustainable offer status</b>	Green Premium product
<b>REACH Regulation</b>	<a href="#">REACH Declaration</a>
<b>EU RoHS Directive</b>	Pro-active compliance (Product out of EU RoHS legal scope) <a href="#">EU RoHS Declaration</a>
<b>Mercury free</b>	Yes
<b>China RoHS Regulation</b>	<a href="#">China RoHS declaration</a>
<b>RoHS exemption information</b>	Yes
<b>Environmental Disclosure</b>	<a href="#">Product Environmental Profile</a>
<b>California proposition 65</b>	WARNING: This product can expose you to chemicals including: Lead and lead compounds, which is known to the State of California to cause cancer and birth defects or other reproductive harm. For more information go to <a href="http://www.P65Warnings.ca.gov">www.P65Warnings.ca.gov</a>

## Contractual warranty

<b>Warranty</b>	18 months
-----------------	-----------

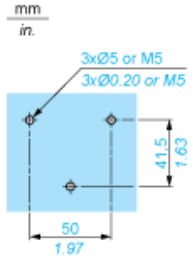
## Dimensions and Mounting

---



**Vertical Support Panel Drillings**

---



**Recommended replacement(s)**