

# Product datasheet

Specifications



circuit breaker EasyPact CVS250B,  
25 kA at 415 VAC, 250 A rating  
thermal magnetic TM-D trip unit, 4P  
3d

LV525313

## Main

|                                        |                                                                                                                                                                                          |
|----------------------------------------|------------------------------------------------------------------------------------------------------------------------------------------------------------------------------------------|
| Range                                  | EasyPact                                                                                                                                                                                 |
| Product name                           | EasyPact CVS                                                                                                                                                                             |
| Device short name                      | CVS250B                                                                                                                                                                                  |
| Product or component type              | Circuit breaker                                                                                                                                                                          |
| Device application                     | Distribution                                                                                                                                                                             |
| Poles description                      | 4P                                                                                                                                                                                       |
| Protected poles description            | 3D                                                                                                                                                                                       |
| Earth leakage protection (Vigi add on) | Without                                                                                                                                                                                  |
| [In] rated current                     | 250 A at 40 °C                                                                                                                                                                           |
| Network type                           | AC                                                                                                                                                                                       |
| Utilisation category                   | Category A                                                                                                                                                                               |
| [Icu] Breaking capacity                | 40 kA Icu at 220/240 V AC 50/60 Hz conforming to IEC 60947-2<br>25 kA Icu at 380/415 V AC 50/60 Hz conforming to IEC 60947-2<br>20 kA Icu at 440 V AC 50/60 Hz conforming to IEC 60947-2 |
| Trip unit name                         | TM-D                                                                                                                                                                                     |
| Trip unit technology                   | Thermal-magnetic                                                                                                                                                                         |
| Trip unit rating                       | 250 A at 40 °C                                                                                                                                                                           |
| Protection type                        | Overload protection (thermal)<br>Short-circuit protection (magnetic)                                                                                                                     |

## Complementary

|                                        |                                                                                                                                                                              |
|----------------------------------------|------------------------------------------------------------------------------------------------------------------------------------------------------------------------------|
| [Uimp] rated impulse withstand voltage | 8 kV conforming to EN/IEC 60947-2                                                                                                                                            |
| Network frequency                      | 50/60 Hz                                                                                                                                                                     |
| Breaking capacity code                 | B                                                                                                                                                                            |
| [Ics] rated service breaking capacity  | 15 kA at 440 V AC 50/60 Hz conforming to IEC 60947-2<br>25 kA at 380/415 V AC 50/60 Hz conforming to IEC 60947-2<br>40 kA at 220/240 V AC 50/60 Hz conforming to IEC 60947-2 |
| Neutral position                       | Left                                                                                                                                                                         |
| Mechanical durability                  | 20000 cycles                                                                                                                                                                 |
| Electrical durability                  | 10000 cycles 415 V In conforming to IEC 60947-2                                                                                                                              |
| Control type                           | Toggle                                                                                                                                                                       |

|                                                            |                          |
|------------------------------------------------------------|--------------------------|
| <b>Thermal protection adjustment range</b>                 | 175...250 A              |
| <b>Neutral protection setting</b>                          | No protection (3D)       |
| <b>Long time pick-up adjustment type I<sub>r</sub></b>     | Adjustable               |
| <b>Long time pick-up adjustment range</b>                  | 0.7...1 x I <sub>n</sub> |
| <b>Long time delay adjustment type</b>                     | Fixed                    |
| <b>Instantaneous pick-up adjustment type I<sub>i</sub></b> | Fixed                    |
| <b>Instantaneous pick-up adjustment range</b>              | 2500 A                   |
| <b>Contact position indicator</b>                          | Yes                      |
| <b>Mounting mode</b>                                       | Fixed                    |
| <b>Mounting support</b>                                    | Backplate                |
| <b>Upside connection</b>                                   | Front                    |
| <b>Downside connection</b>                                 | Front                    |
| <b>Connections - terminals</b>                             | Screw connection         |
| <b>Connection pitch</b>                                    | 35 mm                    |
| <b>Compatibility code</b>                                  | CVS250                   |
| <b>Width</b>                                               | 140 mm                   |
| <b>Depth</b>                                               | 86 mm                    |
| <b>Height</b>                                              | 161 mm                   |
| <b>Net weight</b>                                          | 2.6 kg                   |

## Environment

|                                              |                             |
|----------------------------------------------|-----------------------------|
| <b>Standards</b>                             | EN 60947-2<br>IEC 60947-2   |
| <b>Product certifications</b>                | GOST<br>IEC                 |
| <b>Electrical shock protection class</b>     | Class II                    |
| <b>Pollution degree</b>                      | 3 conforming to IEC 60664-1 |
| <b>IP degree of protection</b>               | IP40                        |
| <b>Ambient air temperature for operation</b> | -25...70 °C                 |
| <b>Ambient air temperature for storage</b>   | -50...85 °C                 |

## Packing Units

|                                     |          |
|-------------------------------------|----------|
| <b>Unit Type of Package 1</b>       | PCE      |
| <b>Number of Units in Package 1</b> | 1        |
| <b>Package 1 Height</b>             | 13.7 cm  |
| <b>Package 1 Width</b>              | 14.5 cm  |
| <b>Package 1 Length</b>             | 18.9 cm  |
| <b>Package 1 Weight</b>             | 2.574 kg |
| <b>Unit Type of Package 2</b>       | S04      |
| <b>Number of Units in Package 2</b> | 9        |

|                  |           |
|------------------|-----------|
| Package 2 Height | 30.0 cm   |
| Package 2 Width  | 40.0 cm   |
| Package 2 Length | 60.0 cm   |
| Package 2 Weight | 23.926 kg |

## Offer Sustainability

|                            |                                                                                                                             |
|----------------------------|-----------------------------------------------------------------------------------------------------------------------------|
| Sustainable offer status   | Green Premium product                                                                                                       |
| REACH Regulation           | <a href="#">REACH Declaration</a>                                                                                           |
| EU RoHS Directive          | Compliant<br><a href="#">EU RoHS Declaration</a>                                                                            |
| Mercury free               | Yes                                                                                                                         |
| China RoHS Regulation      | <a href="#">China RoHS declaration</a><br>Product out of China RoHS scope. Substance declaration for your information       |
| RoHS exemption information | Yes                                                                                                                         |
| Environmental Disclosure   | <a href="#">Product Environmental Profile</a>                                                                               |
| Circularity Profile        | <a href="#">End of Life Information</a>                                                                                     |
| WEEE                       | The product must be disposed on European Union markets following specific waste collection and never end up in rubbish bins |

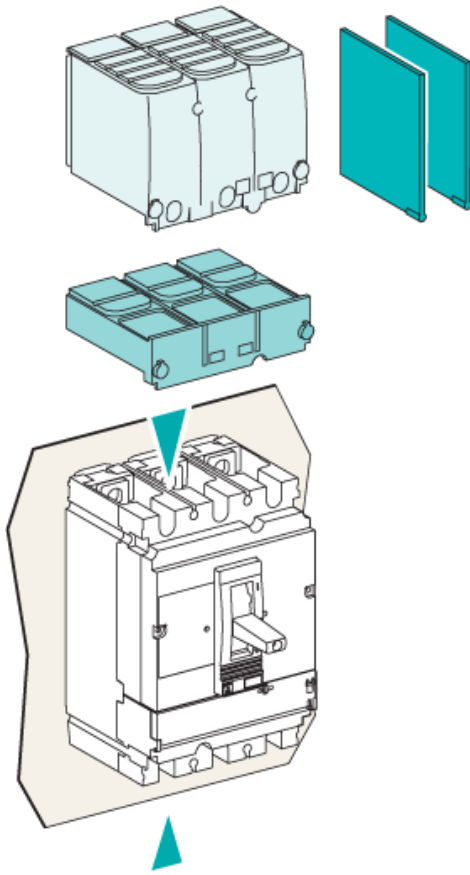
## Contractual warranty

|          |           |
|----------|-----------|
| Warranty | 18 months |
|----------|-----------|

# Product datasheet

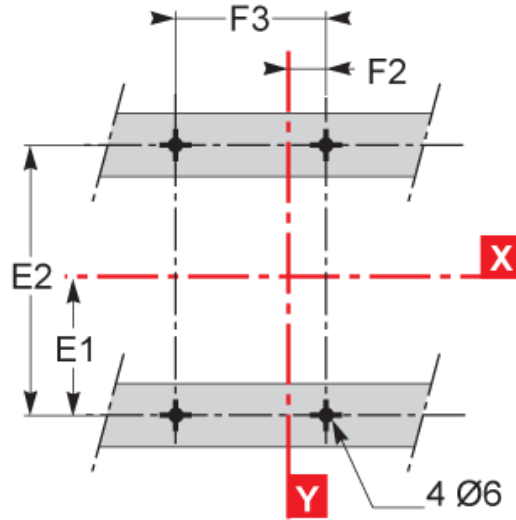
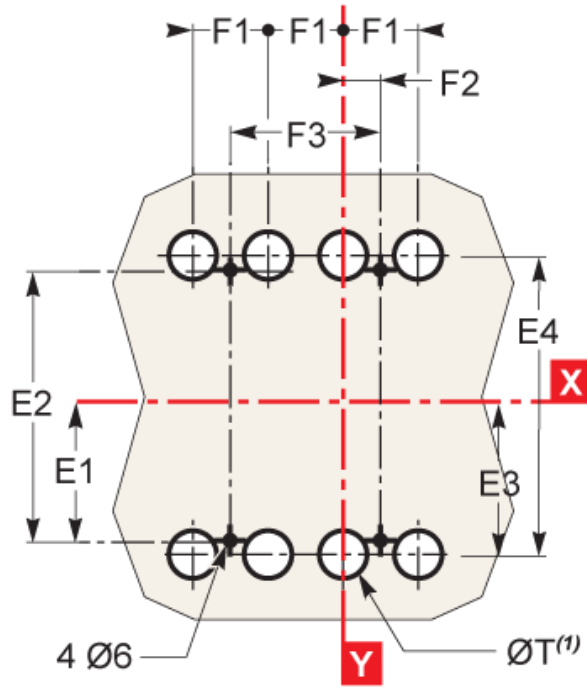
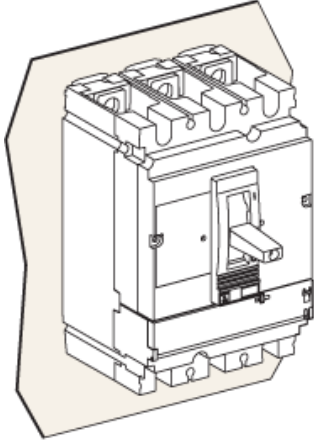
## Dimensions Drawings

# LV525313



| Type           | A     | A1    | A2    | A3    | A4    | A5    | A6  | A7    | A8   | A9    | B    | B1  | B2   | C1   | C2   | C3                 | E1   |
|----------------|-------|-------|-------|-------|-------|-------|-----|-------|------|-------|------|-----|------|------|------|--------------------|------|
| CVS100/160/250 | 80.5  | 161   | 94    | 145   | 178.5 | 155.5 | 236 | 169   | 220  | 253.5 | 52.5 | 105 | 140  | 81   | 86   | 111 <sup>(2)</sup> | 62.5 |
| CVS400/630     | 127.5 | 255   | 142.5 | 200   | 237   | 227.5 | 355 | 242.5 | 300  | 337   | 70   | 140 | 185  | 95.5 | 110  | 168                | 100  |
| Type           | E2    | E3    | E4    | E5    | E6    | E7    | E8  | F1    | F2   | F3    | G1   | G2  | G3   | G4   | G5   | G7                 | U    |
| CVS100/160/250 | 125   | 70    | 140   | 137.5 | 200   | 145   | 215 | 35    | 17.5 | 70    | 96   | 75  | 13.5 | 23   | 17.5 | 24                 | y 32 |
| CVS400/630     | 200   | 113.5 | 227   | 200   | 300   | 213.5 | 327 | 45    | 22.5 | 90    | -    | -   | -    | -    | -    | 32                 | y 35 |

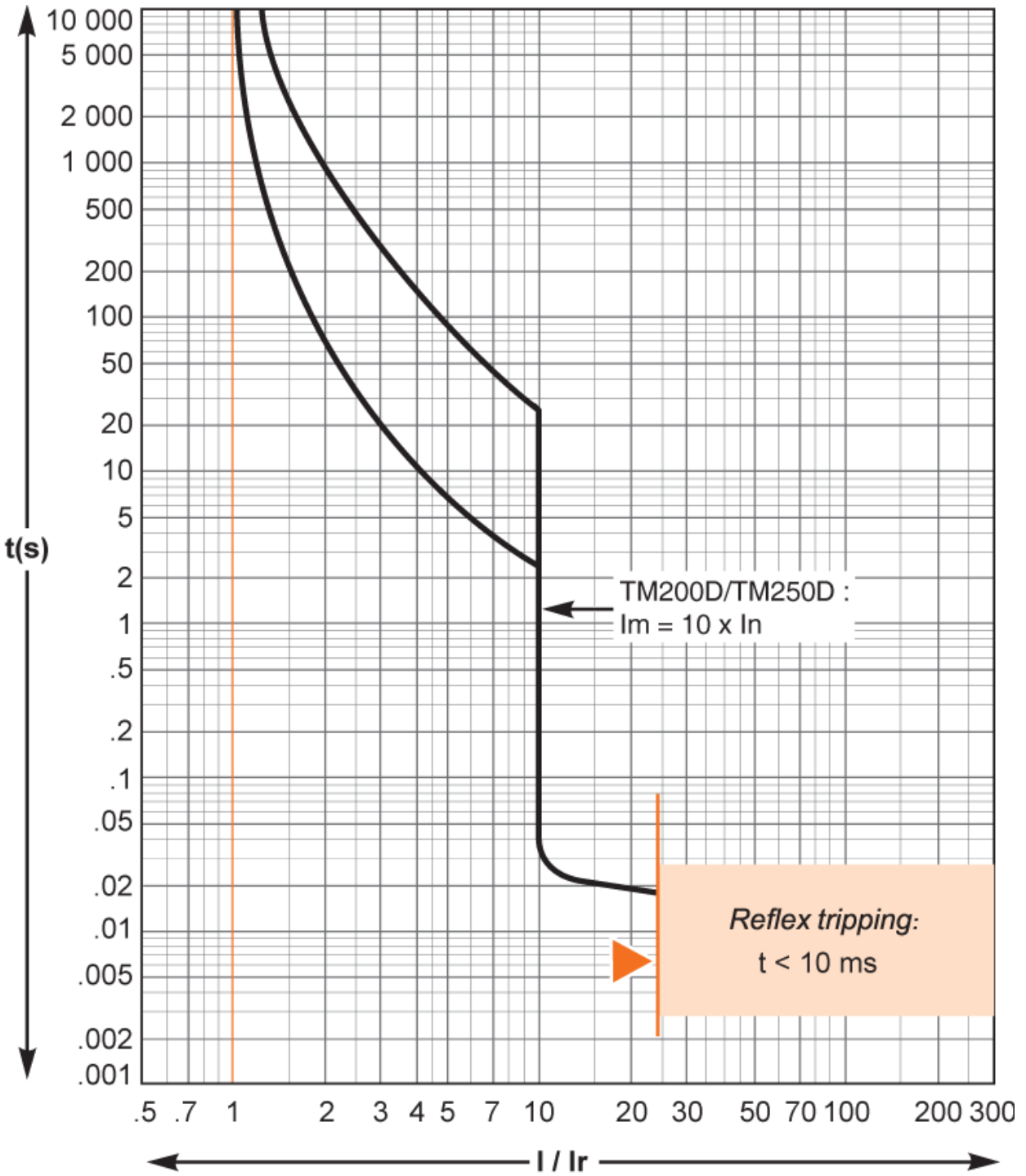
(2) C3=126mm for EasyPact CVS250B.F.



| Type           | A     | A1    | A2    | A3    | A4    | A5    | A6  | A7    | A8   | A9    | B    | B1  | B2   | C1   | C2   | C3                 | E1   |
|----------------|-------|-------|-------|-------|-------|-------|-----|-------|------|-------|------|-----|------|------|------|--------------------|------|
| CVS100/160/250 | 80.5  | 161   | 94    | 145   | 178.5 | 155.5 | 236 | 169   | 220  | 253.5 | 52.5 | 105 | 140  | 81   | 86   | 111 <sup>(1)</sup> | 62.5 |
| CVS400/630     | 127.5 | 255   | 142.5 | 200   | 237   | 227.5 | 355 | 242.5 | 300  | 337   | 70   | 140 | 185  | 95.5 | 110  | 168                | 100  |
| Type           | E2    | E3    | E4    | E5    | E6    | E7    | E8  | F1    | F2   | F3    | G1   | G2  | G3   | G4   | G5   | ØT                 | U    |
| CVS100/160/250 | 125   | 70    | 140   | 137.5 | 200   | 145   | 215 | 35    | 17.5 | 70    | 95   | 75  | 13.5 | 23   | 17.5 | 24                 | y 32 |
| CVS400/630     | 200   | 113.5 | 227   | 200   | 300   | 213.5 | 327 | 45    | 22.5 | 90    | -    | -   | -    | -    | -    | 32                 | y 35 |

(1) C3=126mm for EasyPact CVS250B.F.

Performance Curves



Recommended replacement(s)