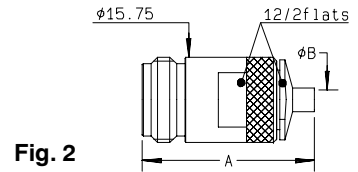
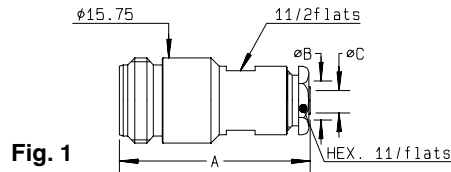


## STRAIGHT JACKS, FOR SEMI RIGID CABLES



cable group	part number	fig.	dimensions (mm)			captured center contact	mounting	note
			A	B	C			
.141"	<b>R161 227 000</b>	1	35.5	5.6	3.65	NO	M06	Clamp type
.141"	<b>R161 227 020●</b>	1	35.5	5.6	3.65	YES	M06	Clamp type
.141"	<b>R161 226 020</b>	2	32	3.65		NO	M21	Solder type

● Upon request

## 25.4 mm SQUARE FLANGE, STRAIGHT JACKS, FULL CRIMP TYPE, FOR FLEXIBLE CABLES (single piece body) (25.4 mm = 1 inch)

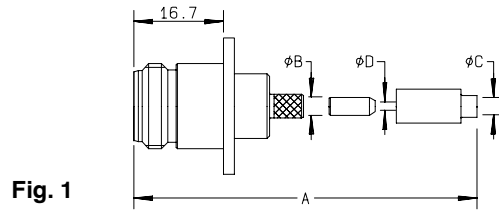
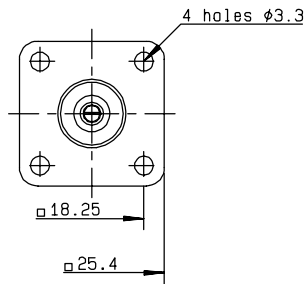


Fig. 1

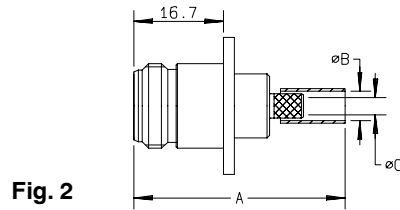
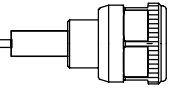


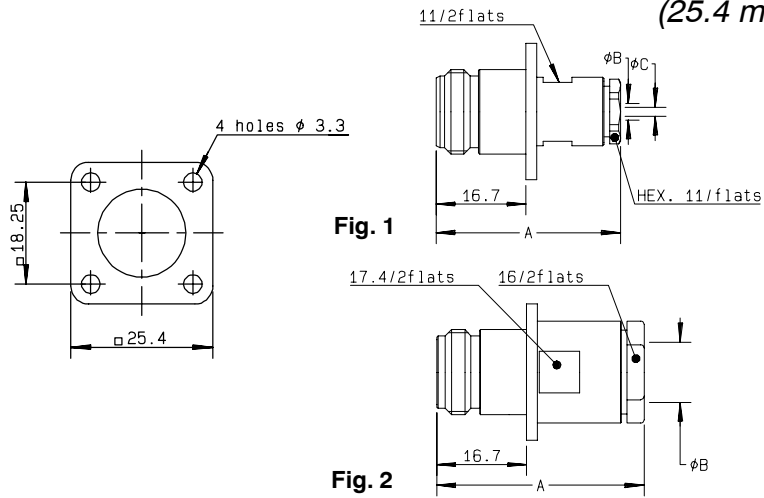
Fig. 2

cable group	part number	fig.	dimensions (mm)				captured center contact	mounting	panel
			A	B	C	D			
2 / 50 / S + D	<b>R161 281 000</b>	1	40.3	3.38	2.55	1	YES	M09	P01
2.6 / 50 / S+D	<b>R161 281 300</b>	1	40.3	3.38	3.25	1.63	YES	M09	P01
5 / 50 / S	<b>R161 282 000</b>	2	39.3	5.41	3.11		YES	M12	P01
5 / 50 / D	<b>R161 283 000</b>	2	39.3	5.8	3.11		YES	M12	P01
10 / 50 / S	<b>R161 286 000</b>	2	40.6	11.05	7.46		YES	M10	P01
11 / 50 / D	<b>R161 286 200</b>	2	40.6	11.4	7.46		YES	M10	P01

Note : standard packaging = 50 pieces. For unit packaging, add "W" after the P/N.

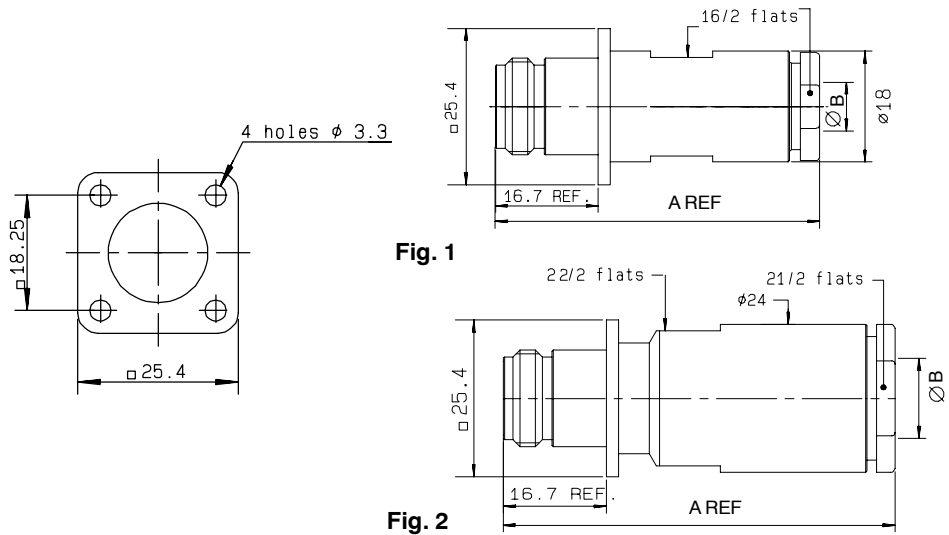


## 25.4 mm SQUARE FLANGE, STRAIGHT JACKS, CLAMP TYPE FOR FLEXIBLE CABLES (25.4 mm = 1 inch)



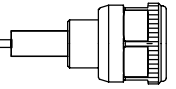
cable group	part number	fig.	dimensions (mm)			captured center contact	mounting	panel
			A	B	C			
2.6 / 50 / S + D	<b>R161 252 000</b>	1	34.3	3.1	1.7	YES	M01	P01
5 / 50 / S + D	<b>R161 256 000</b>	1	35.4	5.6		YES	M03	P01
10 + 11 / 50 / S + D	<b>R161 270 000</b>	2	39.3	11.2		YES	M05	P01

## 25.4 mm SQUARE FLANGE, STRAIGHT JACKS, EZ FIT TYPE, FOR CORRUGATED CABLES (25.4 mm = 1 inch)

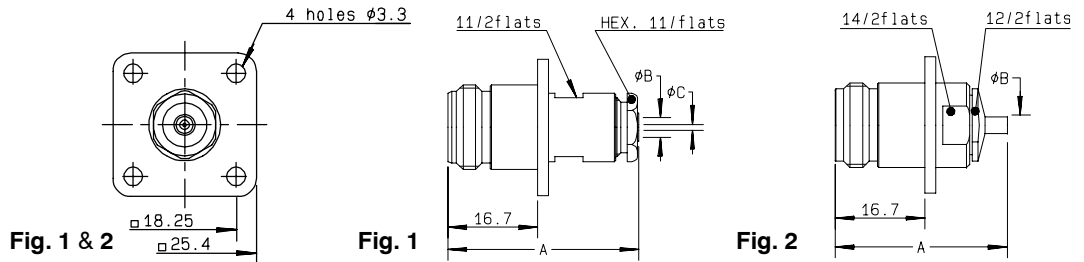


cable group	part number	fig.	dimensions (mm)		captured center contact	mounting	panel
			A	B			
1/4" superflexible corrugated	<b>R161 279 007</b>	1	52.7	7.9	YES	M22	P01
3/8" superflexible corrugated	<b>R161 279 207</b>	2	66	11	YES	M22	P01
1/2" superflexible corrugated	<b>R161 279 407</b>	2	66	14	YES	M22	P01

Note : standard packaging = 50 pieces. For unit packaging, add "W" after the P/N.

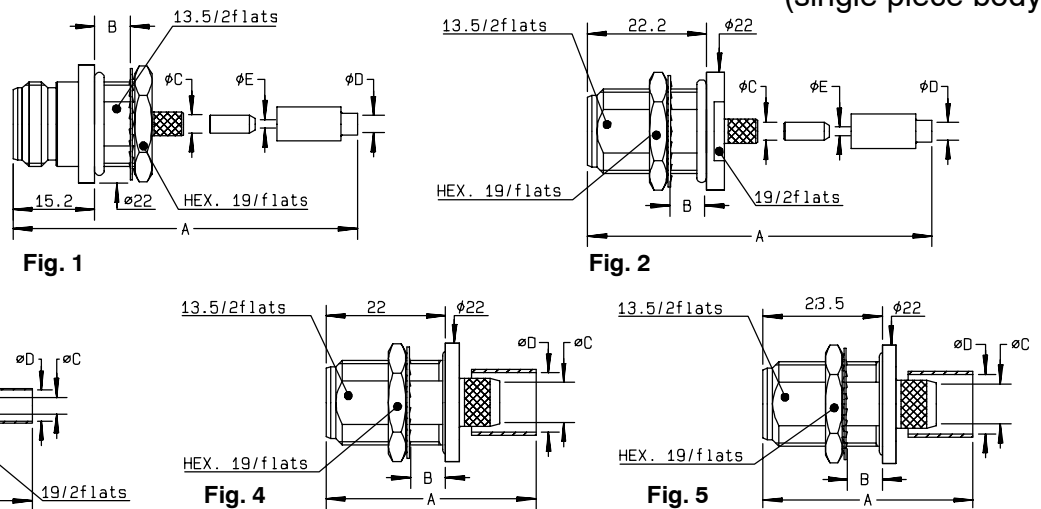


## 25.4 mm SQUARE FLANGE, STRAIGHT JACKS, FOR SEMI RIGID CABLES (25.4 mm = 1 inch)



cable group	part number	fig.	dimensions (mm)			captured center contact	mounting	panel	note
			A	B	C				
.085"	R161 276 300	2	32	2.25		NO	M21	P01	Solder type
.141"	R161 277 000	1	35.5	5.6	3.65	NO	M06	P01	Clamp type
.141"	R161 277 020●	1	35.5	5.6	3.65	YES	M06	P01	Clamp type
.141"	R161 277 300	2	32	3.65		NO	M21	P01	Solder type
.250"	R161 278 300	2	32	6.6		NO	M21	P01	Solder type

## BULKHEAD STRAIGHT JACKS, FULL CRIMP TYPE, FOR FLEXIBLE CABLES (PANEL SEALED) (single piece body)



cable group	part number	fig.	dimensions (mm)					captured center contact	mounting	panel	note
			A	B	C	D	E				
2 / 50 / S + D	R161 309 000	1	40.4	6.5	3.38	2.35	1	YES	M09	P10	Front mount
2 / 50 / S + D	R161 309 200	2						YES	M09	P10	Rear mount
2.6 / 50 / S + D	R161 311 200	1	40.4	6.5	3.38	3.25	1.63	YES	M09	P10	Front mount
2.6 / 50 / S + D	R161 311 300	2						YES	M09	P10	Rear mount
5 / 50 / S	R161 329 130	3	39.8	6.5	3.11	5.41		YES	M12	P10	LMR 200 cable / Rear mount
5 / 50 / S	R161 329 000	3						YES	M12	P10	Rear mount
5 / 50 / D	R161 329 200	3						YES	M12	P10	Rear mount
10 / 50 / S	R161 331 000	4	40.6	6.5	7.46	11.05		YES	M10	P10	Rear mount
10.3 / 50 / S	R161 331 060	5	46.88	6.5	7.46	11.05		YES	M11	P10	LMR 400 cable / Rear mount
11 / 50 / D	R161 331 200	4	40.6	6.5	7.46	11.4		YES	M10	P10	Rear mount
15.2 / 50 / S	R161 331 400	5	49.9	6.5	11.96	15.88		YES	M11	P10	LMR 600 cable / Rear mount / Solder type center contact

● Upon request

Note : standard packaging = 50 pieces. For unit packaging, add "W" after the P/N.