

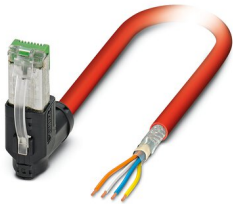
VS-PNRJ45R-OE-93K/3,0 - Bus system cable



1405001

<https://www.phoenixcontact.com/in/products/1405001>

Please be informed that the data shown in this PDF document is generated from our Online Catalog. Please find the complete data in the user documentation. Our General Terms of Use for Downloads are valid.



Sercos III patch cable, shielded, star quad, 22 AWG stranded (7-wire), RAL 3020 (traffic red), RJ45 plug/IP20 (angled) to open cable end (angled), length: 3 m

Commercial Data

Item number	1405001
Packing unit	1 pc
Minimum order quantity	10 pc
Sales Key	ABN
Product Key	ABNABA
GTIN	4046356733564
Weight per Piece (including packing)	220 g
Weight per Piece (excluding packing)	213 g
Customs tariff number	85444210
Country of origin	PL

VS-PNRJ45R-OE-93K/3,0 - Bus system cable

1405001

<https://www.phoenixcontact.com/in/products/1405001>

Technical Data

Product properties

Product type	Data cable preassembled
Number of positions	4
Shielded	yes

Insulation characteristics

Degree of pollution	1
---------------------	---

Electrical properties

Rated voltage (III/3)	72 V (DC)
Transmission medium	Copper


Material specifications

Flammability rating according to UL 94	V0
--	----

Cable/line

Cable length	3.00 m
--------------	--------

Sercos III [93K]

Dimensional drawing	
Shielded	yes
UL AWM Style	21694 (60 °C / 600 V)
Cable weight	68 kg/km
Cable type	Sercos III
Cable type (abbreviation)	93K
Signal type/category	Sercos CAT5 (IEC 11801), 100 Mbps
Cable structure	1x4xAWG22/7; SF/TQ
External cable diameter	6.5 mm ±0.2 mm
Outer sheath, material	PVC
External sheath, color	signal red RAL 3020
Thickness, outer sheath	approx. 0.9 mm
Material, inner sheath	PVC
Conductor material	Tin-plated Cu litz wires
Conductor structure signal line	7x 0.25 mm
AWG signal line	22

VS-PNRJ45R-OE-93K/3,0 - Bus system cable



1405001

<https://www.phoenixcontact.com/in/products/1405001>

Conductor cross section	4x 0.34 mm ²
Material wire insulation	PE
Wire diameter incl. insulation	approx. 1.55 mm
Single wire, color	White, yellow, blue, orange
Type of pair shielding	Aluminum-lined polyester foil
Overall twist	Star quad
Shielding	Tinned copper braided shield
Nominal voltage, cable	600 V
Test voltage Core/Core	2000 V (50 Hz, 1 min.)
Test voltage Core/Shield	2000 V (50 Hz, 1 min.)
Cable resistance	≤ 120 Ω/km
Cable insulation resistance	≥ 0.5 GΩ*km
Coupling resistance	≤ 20.00 mΩ/m (at 10 Hz)
Wave impedance	100 Ω ±15 Ω (at 100 MHz)
Signal runtime	5.3 ns/m
Minimum bending radius, fixed installation	3 x D
Minimum bending radius, flexible installation	7 x D
Resistance to oil	Resistant to oil to a limited extent
Flame resistance	according to UL 1685 (CSA FT 4)
Other resistance	UV resistant According to UL 1581, Section 1200
Ambient temperature (operation)	-40 °C ... 70 °C (Cable, flexible installation) -40 °C ... 70 °C (cable, fixed installation)

Environmental and real-life conditions

Ambient conditions

Degree of protection	IP20
----------------------	------

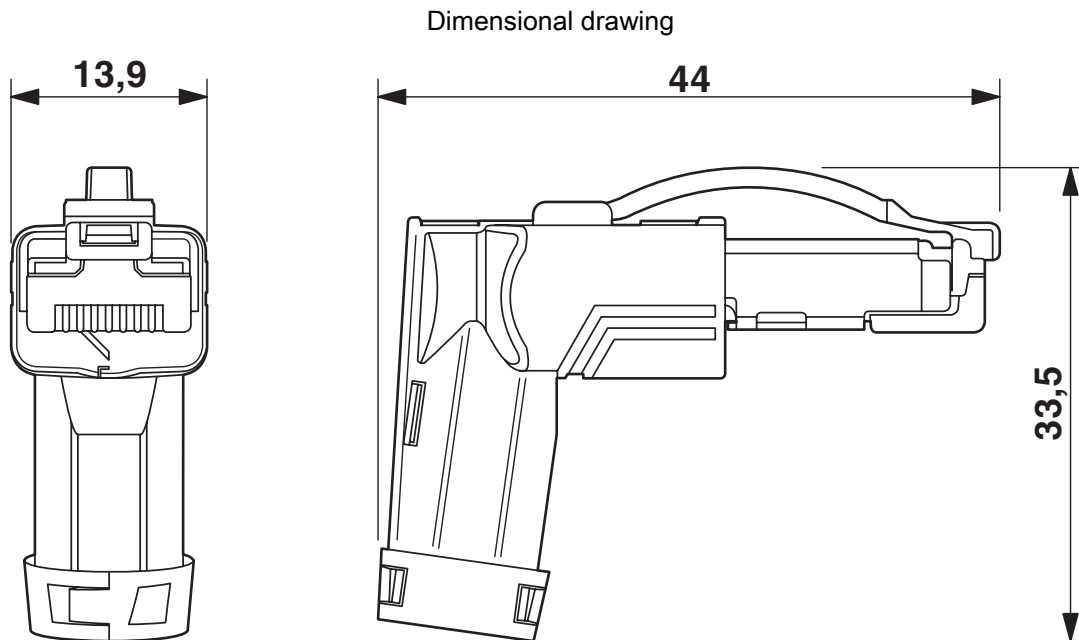
VS-PNRJ45R-OE-93K/3,0 - Bus system cable



1405001

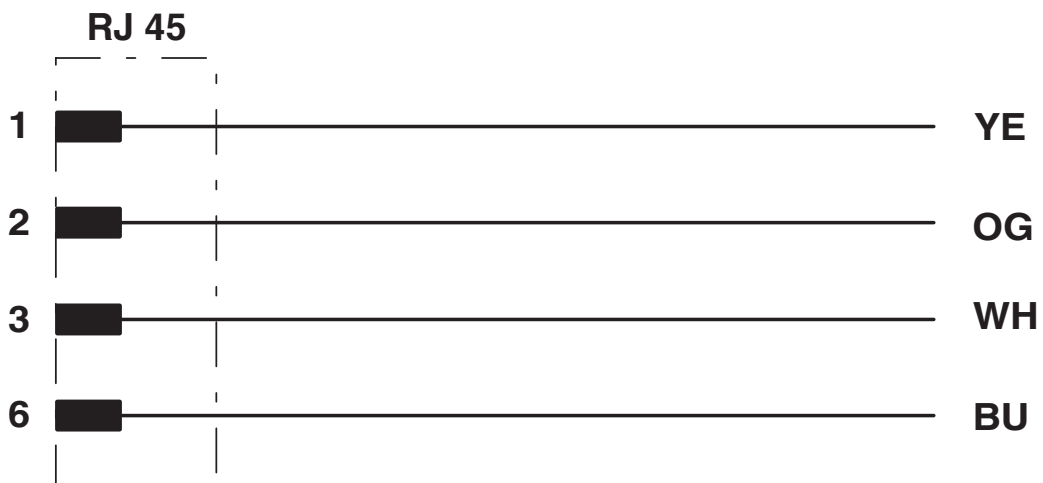
<https://www.phoenixcontact.com/in/products/1405001>

Drawings



RJ45 connector, IP20, angled

Circuit diagram



VS-PNRJ45R-OE-93K/3,0 - Bus system cable



1405001

<https://www.phoenixcontact.com/in/products/1405001>

Approvals



EAC

Approval ID: B.01687

VS-PNRJ45R-OE-93K/3,0 - Bus system cable



1405001

<https://www.phoenixcontact.com/in/products/1405001>

Classifications

ECLASS

ECLASS-11.0	27060308
ECLASS-12.0	27060308
ECLASS-13.0	27060308

ETIM

ETIM 8.0	EC002599
----------	----------

UNSPSC

UNSPSC 21.0	26121600
-------------	----------

VS-PNRJ45R-OE-93K/3,0 - Bus system cable



1405001

<https://www.phoenixcontact.com/in/products/1405001>

Environmental Product Compliance

China RoHS	Environmentally friendly use period: unlimited = EFUP-e
	No hazardous substances above threshold values

Phoenix Contact 2023 © - all rights reserved
<https://www.phoenixcontact.com>

PHOENIX CONTACT (I) Pvt. Ltd.
A-58/2, Okhla Industrial Area, Phase - II, New Delhi-110 020

+91.1275.71420
info@phoenixcontact.co.in