

Product datasheet

Specifications



redundancy module - 40A - for regulated SMPS

ABL8RED24400

Main

| | |
|---------------------------|-----------------------|
| Range of product | Phaseo |
| Product or component type | Redundancy module |
| Input voltage | 24...28.8 V DC |
| Output voltage | ($U_{in}-0.2$) V DC |
| Maximum output current | 40 A |

Complementary

| | |
|---------------------------|--|
| Input voltage limits | 22...30 V |
| Input current | 20 A |
| Number of output channels | 1 |
| Output protection type | Against overload, protection technology: external protection by power supply Against short-circuits, protection technology: external protection by power supply |
| Connections - terminals | For output connection: screw type terminals, connection capacity: 2 x 0.5...2 x 10 mm ² AWG 20...AWG 8 For input connection: screw type terminals, connection capacity: 4 x 0.5...4 x 10 mm ² AWG 20...AWG 8 For diagnostic relay: removable screw terminal block, connection capacity: 1 x 2.5 mm ² AWG 14 |
| Fixing mode | By clips on 35 mm symmetrical DIN rail, operating position: horizontal By clips on 35 mm symmetrical DIN rail, operating position: vertical |
| Output coupling | Parallel |
| Operating altitude | 2000 m |
| Marking | CE |
| Name of test | Electrostatic discharges conforming to EN/IEC 61000-4-2 Emission conforming to EN 61000-6-3 Induced electromagnetic field conforming to EN/IEC 61000-4-6 level 3 Radiated electromagnetic field conforming to EN/IEC 61000-4-3 level 3 Rapid transient conforming to IEC 61000-4-4 level 3 Surge conforming to EN/IEC 61000-4-5 level 2 Conducted/radiated emissions conforming to EN 55022 class B Emission conforming to EN 50081-1 |
| Local signalling | 1 LED per input (green) for power supply status 1 relay for power supply status |
| Net weight | 0.7 kg |
| Environment | |
| Product certifications | EAC RCM |
| Standards | CSA C22.2 No 60950-1 UL 508 |

| | |
|--|--|
| Ambient air temperature for operation | -25...60 °C |
| Ambient air temperature for storage | -40...85 °C |
| Environmental characteristic | EMC conforming to EN 61000-6-3 EMC conforming to EN/IEC 61000-6-2 Safety conforming to EN/IEC 60950-1 Safety conforming to EN/IEC 61204 |
| IP degree of protection | IP20 conforming to EN/IEC 60529 |
| Dielectric strength | 500 V between input and ground 500 V between output and ground |
| Overvoltage category | Class II conforming to VDE 0106-1 |
| Relative humidity | 0...90 % during operation 0...95 % during storage |
| MTBF reliability | 2488391 H at 24 V DC with UTE C80-810 calculation method |
| Vibration resistance | 2 gn (f= 11.9...150 Hz) conforming to EN/IEC 61131-2 3.5 mm (f= 3...11.9 Hz) conforming to EN/IEC 61131-2 |

Packing Units

| | |
|-------------------------------------|-----------|
| Unit Type of Package 1 | PCE |
| Number of Units in Package 1 | 1 |
| Package 1 Height | 6.5 cm |
| Package 1 Width | 16.5 cm |
| Package 1 Length | 16.0 cm |
| Package 1 Weight | 594.0 g |
| Unit Type of Package 2 | S03 |
| Number of Units in Package 2 | 10 |
| Package 2 Height | 30.0 cm |
| Package 2 Width | 30.0 cm |
| Package 2 Length | 40.0 cm |
| Package 2 Weight | 5.94 kg |
| Unit Type of Package 3 | PAL |
| Number of Units in Package 3 | 80 |
| Package 3 Height | 77.0 cm |
| Package 3 Width | 60.0 cm |
| Package 3 Length | 80.0 cm |
| Package 3 Weight | 61.724 kg |

Offer Sustainability

| | |
|-----------------------------------|---|
| REACH Regulation | REACH Declaration |
| REACH free of SVHC | Yes |
| EU RoHS Directive | Pro-active compliance (Product out of EU RoHS legal scope) EU RoHS Declaration |
| Mercury free | Yes |
| China RoHS Regulation | China RoHS declaration |
| RoHS exemption information | Yes |
| PVC free | Yes |

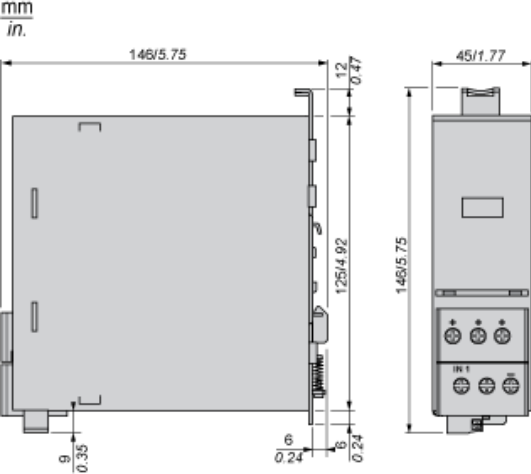
Contractual warranty

Warranty

18 months

Redundancy Module

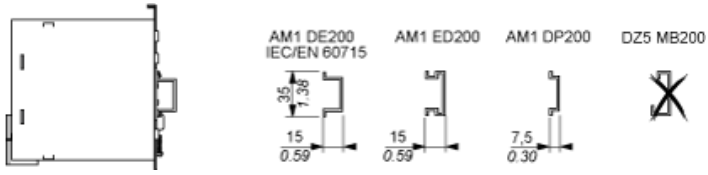
Dimensions



Redundancy Module

Mounting

Redundancy modules can be installed on a DIN rail. The graphic below provides the characteristics and references of the compatible DIN rails for the mounting of the module.

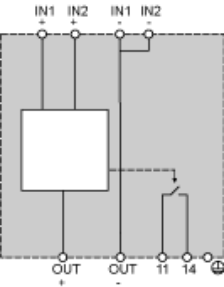


Wiring Requirements

Cable Types and Wire Sizes

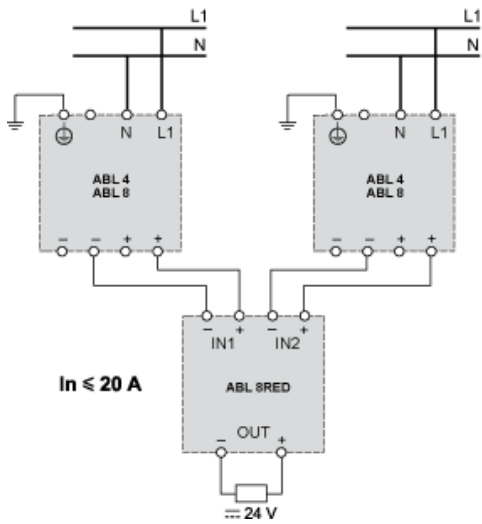
| | | | | |
|---------|----------------------|-----------------|------------------------|------------------------------|
| | ABL | 8RPS24030 | 8RPS24050 8RPS24100 | 8RPM24200 8WPS24200/24400 |
| + In - | mm ² /AWG | 1...4 / 16...12 | | |
| + Out - | mm ² /AWG | 1...4 / 16...12 | 4...10 / 12...6 | |
| | mm/In | 4 / 0.16 | | |
| 11...14 | mm ² /AWG | - | 0,2...2,5 / 24...14 | |

Internal Wiring Diagram

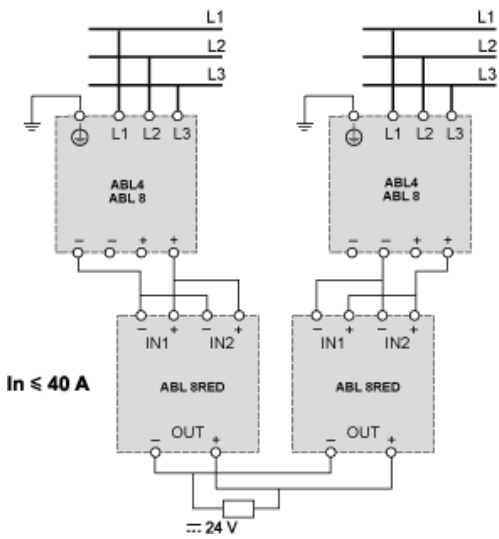


Scheme of Use with Power Supplies

Wiring Diagram with $I_n \leq 20\text{mA}$



Wiring Diagram with $I_n \leq 40\text{mA}$



Recommended replacement(s)