

SACC-DSIV-M12MS-5CON-L 90 - Device connector, rear mounting



1694224

<https://www.phoenixcontact.com/in/products/1694224>

Please be informed that the data shown in this PDF document is generated from our Online Catalog. Please find the complete data in the user documentation. Our General Terms of Use for Downloads are valid.

Sensor/actuator flush-type connector, plug, 5-pos., M12, A-coded, rear/screw mounting with M12 thread, with polarity protection, with angled solder connection



Commercial Data

Item number	1694224
Packing unit	10 pc
Minimum order quantity	10 pc
Sales Key	ABQ
Product Key	ABQCAC
Catalog Page	Page 60 (PC-2011)
GTIN	4017918177508
Weight per Piece (including packing)	12.03 g
Weight per Piece (excluding packing)	11.64 g
Customs tariff number	85366990
Country of origin	HU

SACC-DSIV-M12MS-5CON-L 90 - Device connector, rear mounting



1694224

<https://www.phoenixcontact.com/in/products/1694224>

Technical Data

Mounting

Mounting type	Rear mounting M12 x 1 With locking nut
Assembly instructions	With locking nut

Product properties

Product type	Circular connectors (device side)
Number of positions	5
Shielded	no
Coding	A

Insulation characteristics

Overvoltage category	II
Degree of pollution	3

Material specifications

Flammability rating according to UL 94	HB
Seal material	NBR
Contact material	CuZn
Contact surface material	Au
Contact carrier material	PA 6.6
Material for screw connection	Nickel-plated brass

Electrical properties

Contact resistance	$\leq 5 \text{ m}\Omega$
Insulation resistance	$\geq 100 \text{ M}\Omega$
Nominal voltage U_N	60 V
Nominal current I_N	4 A

Connection data

Conductor connection

Connection method	Solder pins
-------------------	-------------

Connector

Connection 1

Head design	Plug
Head cable outlet	straight
Head thread type	M12
Coding	A

Environmental and real-life conditions

SACC-DSIV-M12MS-5CON-L 90 - Device connector, rear mounting



1694224

<https://www.phoenixcontact.com/in/products/1694224>

Ambient conditions

Degree of protection	IP67
	IP67
Ambient temperature (operation)	-25 °C ... 85 °C (Plug / socket)

Standards and regulations

M12

Standards/specifications	IEC 61076-2-101
--------------------------	-----------------

SACC-DSIV-M12MS-5CON-L 90 - Device connector, rear mounting

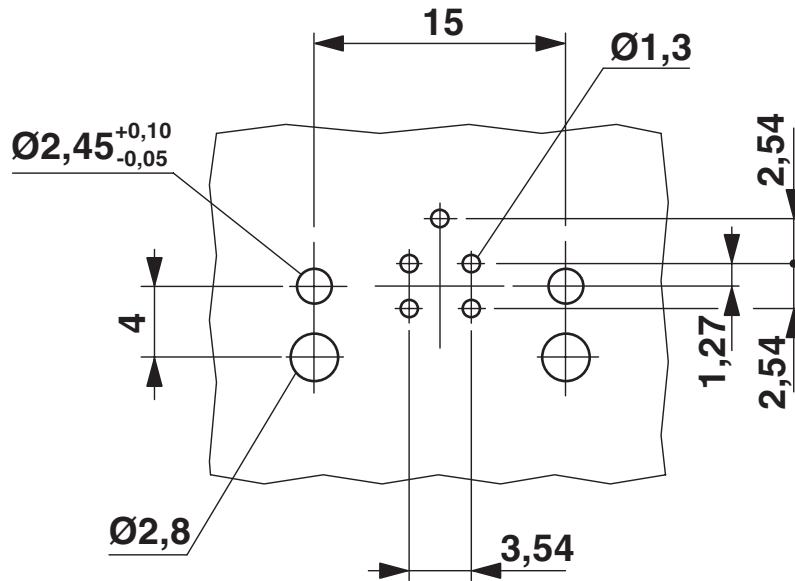


1694224

<https://www.phoenixcontact.com/in/products/1694224>

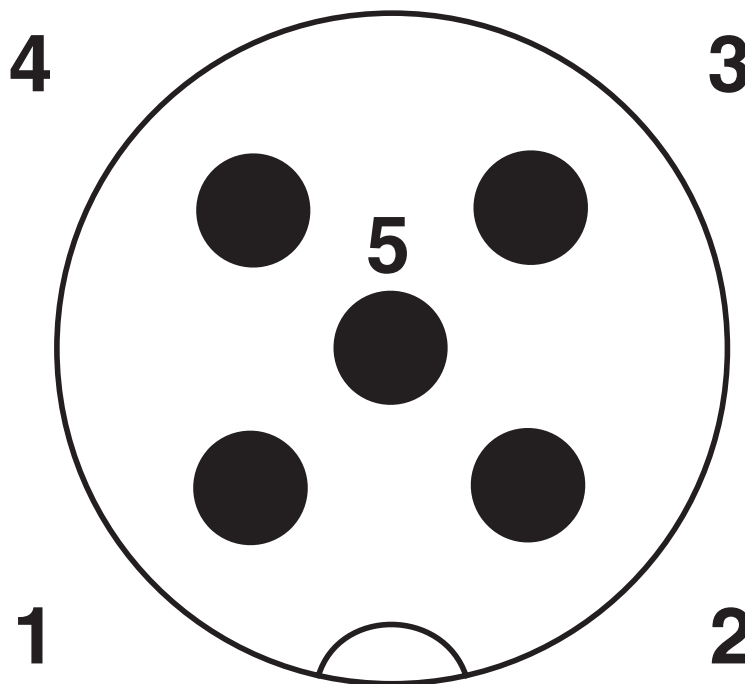
Drawings

Drilling plan/solder pad geometry



M12 flush-type connector

Schematic diagram



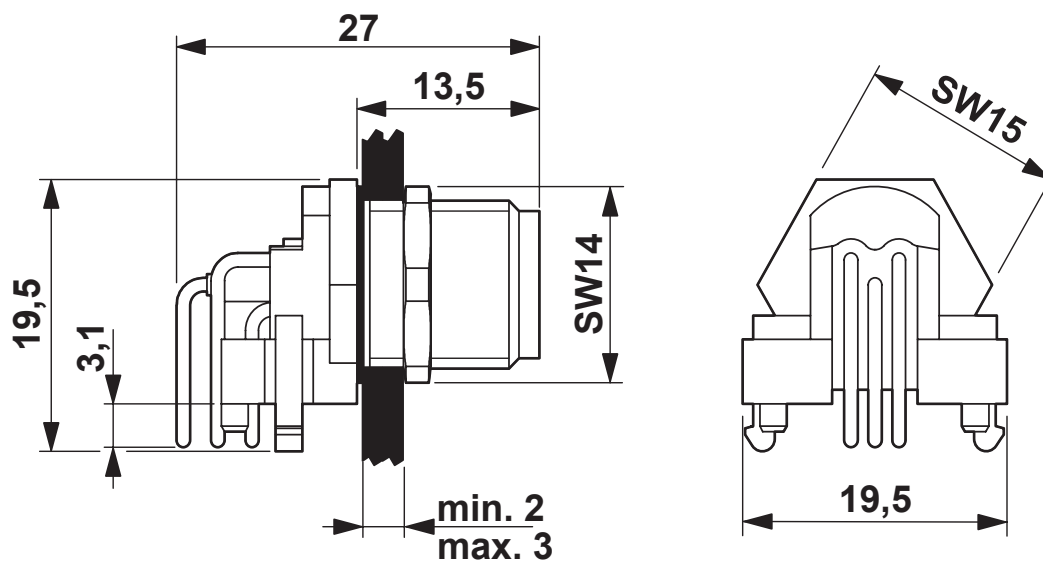
Pin assignment M12 male connector, 5-pos., A-coded, male side

SACC-DSIV-M12MS-5CON-L 90 - Device connector, rear mounting

1694224

<https://www.phoenixcontact.com/in/products/1694224>

Dimensional drawing



Dimensional drawing


SACC-DSIV-M12MS-5CON-L 90 - Device connector, rear mounting





1694224

<https://www.phoenixcontact.com/in/products/1694224>

Approvals

 cUL Recognized Approval ID: FILE E 221474	Nominal Voltage U_N	Nominal Current I_N	Cross Section AWG	Cross Section mm^2
	60 V	4 A	-	-

 UL Recognized Approval ID: FILE E 221474	Nominal Voltage U_N	Nominal Current I_N	Cross Section AWG	Cross Section mm^2
	60 V	4 A	-	-

 EAC Approval ID: B.01687
--

SACC-DSIV-M12MS-5CON-L 90 - Device connector, rear mounting



1694224

<https://www.phoenixcontact.com/in/products/1694224>

Classifications

ECLASS

ECLASS-11.0	27440102
ECLASS-12.0	27440116
ECLASS-13.0	27440116

ETIM

ETIM 8.0	EC002635
----------	----------

UNSPSC

UNSPSC 21.0	39121400
-------------	----------

SACC-DSIV-M12MS-5CON-L 90 - Device connector, rear mounting



1694224

<https://www.phoenixcontact.com/in/products/1694224>

Environmental Product Compliance

REACH SVHC	Lead 7439-92-1
China RoHS	Environmentally Friendly Use Period = 50 years
	For information on hazardous substances, refer to the manufacturer's declaration available under "Downloads"

Phoenix Contact 2023 © - all rights reserved
<https://www.phoenixcontact.com>

PHOENIX CONTACT (I) Pvt. Ltd.
A-58/2, Okhla Industrial Area, Phase - II, New Delhi-110 020

+91.1275.71420
info@phoenixcontact.co.in