

SACC-DSIV-FS-8CON-L90 SCO - Device connector, rear mounting



1436974

<https://www.phoenixcontact.com/in/products/1436974>

Please be informed that the data shown in this PDF document is generated from our Online Catalog. Please find the complete data in the user documentation. Our General Terms of Use for Downloads are valid.



Device connector, rear mounting, 8-position, Socket, straight, M12-SPEEDCON, coding: B , Rear mounting, M12 x 1, Solder pins, Alternative product in accordance with RoHS II without Exemption 6c (Pb <0.1%) item no.: 1239638

Commercial Data

Item number	1436974
Packing unit	10 pc
Minimum order quantity	10 pc
Sales Key	ABQ
Product Key	ABQCAD
Catalog Page	Page 30 (PC-2009)
GTIN	4046356438544
Weight per Piece (including packing)	13.95 g
Weight per Piece (excluding packing)	13.3 g
Customs tariff number	85366990
Country of origin	DE

SACC-DSIV-FS-8CON-L90 SCO - Device connector, rear mounting



1436974

<https://www.phoenixcontact.com/in/products/1436974>

Technical Data

Mounting

Mounting type	Rear mounting M12 x 1 With flat nut
Assembly instructions	With flat nut

Product properties

Product type	Circular connectors (device side)
Number of positions	8
Shielded	no
Coding	B

Insulation characteristics

Overvoltage category	II
Degree of pollution	3

Material specifications

Flammability rating according to UL 94	HB
Seal material	NBR
Contact material	Cu alloy
Contact surface material	Au
Contact carrier material	PA 6.6
Material for screw connection	Zinc die-cast, nickel-plated

Electrical properties

Contact resistance	$\leq 3 \text{ m}\Omega$
Insulation resistance	$\geq 100 \text{ M}\Omega$
Nominal voltage U_N	60 V
Nominal current I_N	4 A

Connection data

Conductor connection

Connection method	Solder pins
-------------------	-------------

Connector

Connection 1

Head design	Socket
Head cable outlet	straight
Head thread type	M12
Head locking type	SPEEDCON
Coding	B

SACC-DSIV-FS-8CON-L90 SCO - Device connector, rear mounting



1436974

<https://www.phoenixcontact.com/in/products/1436974>

Environmental and real-life conditions

Ambient conditions

Degree of protection	IP67
	IP67
Ambient temperature (operation)	-25 °C ... 85 °C (Plug / socket)

Standards and regulations

M12

Standards/specifications	IEC 61076-2-101
--------------------------	-----------------

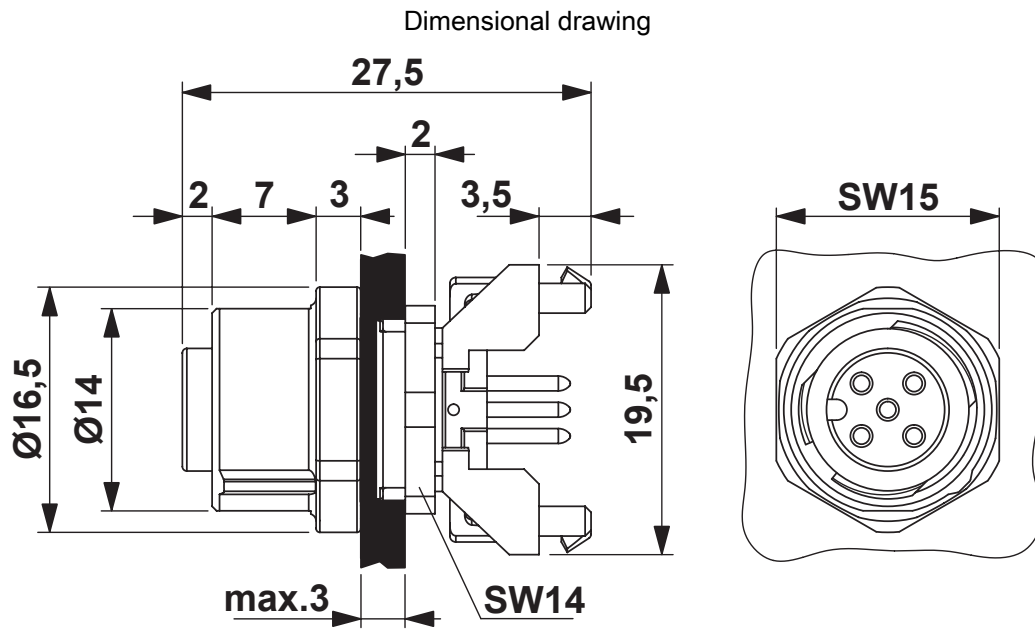
SACC-DSIV-FS-8CON-L90 SCO - Device connector, rear mounting



1436974

<https://www.phoenixcontact.com/in/products/1436974>

Drawings



Dimensional drawing

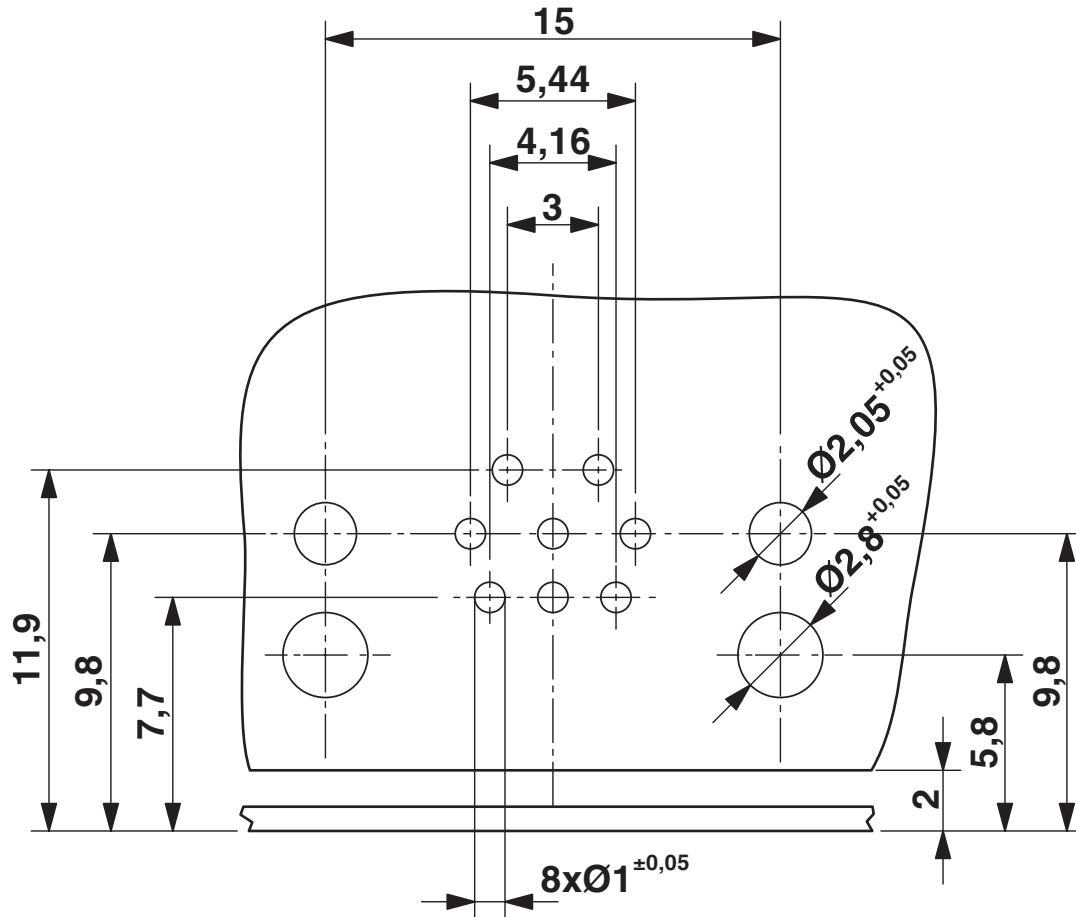
SACC-DSIV-FS-8CON-L90 SCO - Device connector, rear mounting



1436974

<https://www.phoenixcontact.com/in/products/1436974>

Drilling plan/solder pad geometry



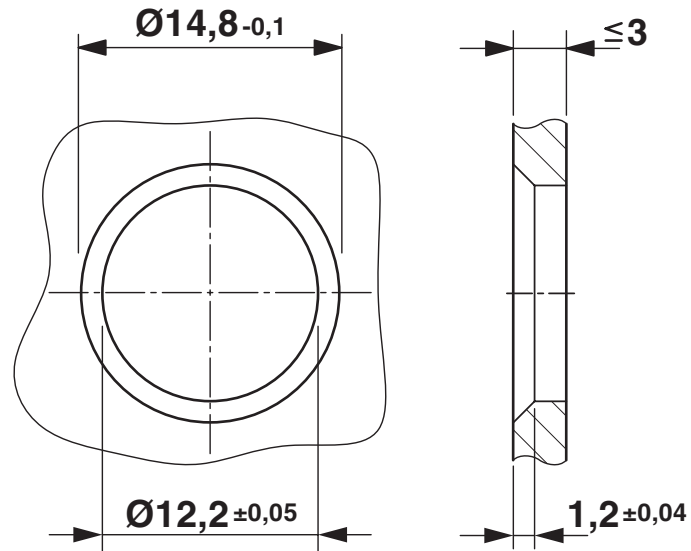
Drilling diagram

SACC-DSIV-FS-8CON-L90 SCO - Device connector, rear mounting

1436974

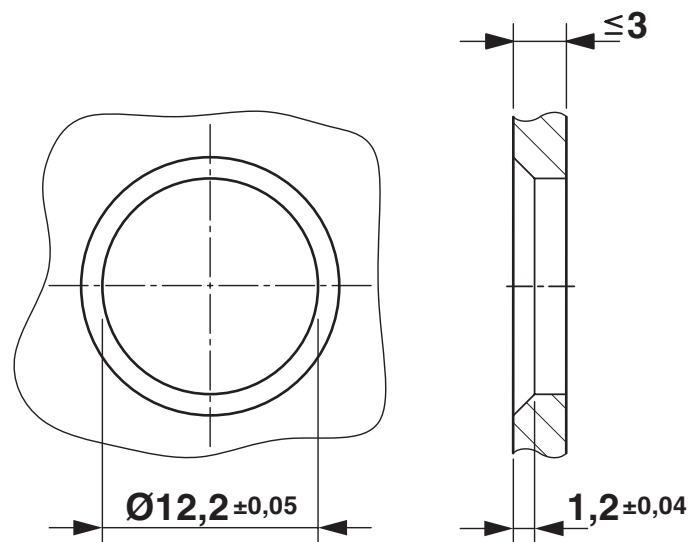
<https://www.phoenixcontact.com/in/products/1436974>

Dimensional drawing



Housing cut-out for two-part M12 flush-type connectors with THR and wave soldering connection, version 1

Dimensional drawing



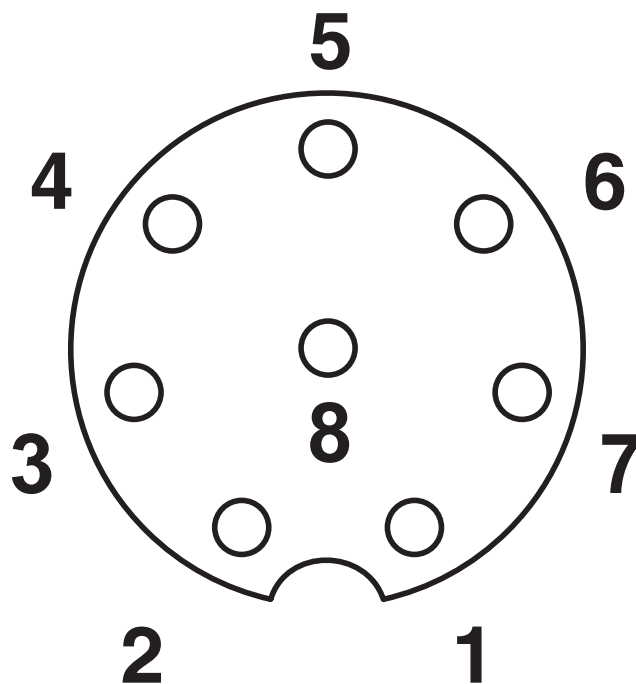
Housing cut-out for two-part M12 flush-type connectors with THR and wave soldering connection, version 2

SACC-DSIV-FS-8CON-L90 SCO - Device connector, rear mounting

1436974

<https://www.phoenixcontact.com/in/products/1436974>

Schematic diagram



Pin assignment M12 socket, 8-pos., A-coded, view female side

SACC-DSIV-FS-8CON-L90 SCO - Device connector, rear mounting



1436974

<https://www.phoenixcontact.com/in/products/1436974>

Approvals



UL Recognized

Approval ID: E118976-20100522

	Nominal Voltage U_N	Nominal Current I_N	Cross Section AWG	Cross Section mm^2
	30 V	2 A	- 24	-



EAC

Approval ID: B.01687

SACC-DSIV-FS-8CON-L90 SCO - Device connector, rear mounting



1436974

<https://www.phoenixcontact.com/in/products/1436974>

Classifications

ECLASS

ECLASS-11.0	27440102
ECLASS-12.0	27440116
ECLASS-13.0	27440116

ETIM

ETIM 8.0	EC002635
----------	----------

UNSPSC

UNSPSC 21.0	39121400
-------------	----------

SACC-DSIV-FS-8CON-L90 SCO - Device connector, rear mounting



1436974

<https://www.phoenixcontact.com/in/products/1436974>

Environmental Product Compliance

REACH SVHC	Lead 7439-92-1
China RoHS	Environmentally Friendly Use Period = 50 years
	For information on hazardous substances, refer to the manufacturer's declaration available under "Downloads"

Phoenix Contact 2023 © - all rights reserved
<https://www.phoenixcontact.com>

PHOENIX CONTACT (I) Pvt. Ltd.
A-58/2, Okhla Industrial Area, Phase - II, New Delhi-110 020

+91.1275.71420
info@phoenixcontact.co.in