

Product data sheet

Specifications



pendant control station XAC-A - 4 pushbuttons 1 Emergency stop

XACA4814

! Discontinued on: 30 June 2022

! End-of-service on: 28 July 2022

! Discontinued

Main

Range of product Harmony XAC

Product or component type Pendant control station

Device short name XACA

Complementary

Control station type Double insulated

Enclosure material Polypropylene

Electrical circuit type Control circuit

Enclosure type Complete ready for use

Control station application Control of single speed hoist motor

Control station composition 4 push-buttons + 1 emergency stop

Control button type
First push-button 1 NC + 1 NO raise, slow
Second push-button 1 NC + 1 NO lower, slow
Emergency stop push-button Ø 40 mm 1 NC trigger action
Fourth push-button 1 NC + 1 NO left, slow
Third push-button 1 NC + 1 NO right, slow

Product compatibility
ZB2BE102 for emergency stop
ZB2BE102 + ZB2BE101 for each direction

Mechanical interlocking With mechanical interlocking between pairs

Control station colour Yellow

Connections - terminals
Screw clamp terminals, 1 x 0.5...1 x 2.5 mm² without cable end
Screw clamp terminals, 1 x 0.5...2 x 1.5 mm² with cable end

Standards
EN/IEC 60947-5-5
EN/IEC 60947-5-1
EN/IEC 60204-32
EN/ISO 13850: 2006
UL 508
CSA C22.2 No 14

Product certifications
CCC
GOST

Protective treatment TH

Ambient air temperature for operation -25...70 °C

Ambient air temperature for storage -40...70 °C

Vibration resistance 15 gn (f= 10...500 Hz) conforming to IEC 60068-2-6

Shock resistance	100 gn conforming to IEC 60068-2-27
Overtoltage category	Class II conforming to IEC 61140
IP degree of protection	IP65 conforming to IEC 60529
IK degree of protection	IK08 conforming to EN 50102
Mechanical durability	1000000 cycles
Cable entry	Rubber sleeve with stepped entry 8...26 mm
Contact code designation	A600 AC-15, Ue = 240 V, Ie = 3 A conforming to IEC 60947-5-1 appendix A A600 AC-15, Ue = 600 V, Ie = 1.2 A conforming to IEC 60947-5-1 appendix A Q600 DC-13, Ue = 250 V, Ie = 0.27 A conforming to IEC 60947-5-1 appendix A Q600 DC-13, Ue = 600 V, Ie = 0.1 A conforming to IEC 60947-5-1 appendix A
[Ithe] conventional enclosed thermal current	10 A
[Ui] rated insulation voltage	600 V (pollution degree 3)
[Uimp] rated impulse withstand voltage	6 kV conforming to IEC 60947-1
Contact operation	Slow-break
Maximum resistance across terminals	25 MOhm
Operating force	13 N push-button 8 N emergency stop
Short-circuit protection	10 A fuse protection by cartridge fuse type gG
Rated operational power in W	40 W DC-13 for 1000000 cycles, operating rate <60 cyc/mn at 120 V, load factor = 0.5 (inductive load) conforming to IEC 60947-5-1 appendix C 48 W DC-13 for 1000000 cycles, operating rate <60 cyc/mn at 48 V, load factor = 0.5 (inductive load) conforming to IEC 60947-5-1 appendix C 65 W DC-13 for 1000000 cycles, operating rate <60 cyc/mn at 24 V, load factor = 0.5 (inductive load) conforming to IEC 60947-5-1 appendix C
Terminals description ISO n°1	(11-12)NC (13-14)NO
Terminals description ISO n°2	(11-12)NC
Terminal identifier	(11-12)NC (13-14)NO
Net weight	0.815 kg

Packing Units

Unit Type of Package 1	PCE
Number of Units in Package 1	1
Package 1 Height	10 cm
Package 1 Width	11 cm
Package 1 Length	52 cm
Package 1 Weight	839 g

Offer Sustainability

Sustainable offer status	Green Premium product
REACH Regulation	REACH Declaration
REACH free of SVHC	Yes
EU RoHS Directive	Pro-active compliance (Product out of EU RoHS legal scope) EU RoHS Declaration
Toxic heavy metal free	Yes
Mercury free	Yes
China RoHS Regulation	China RoHS declaration

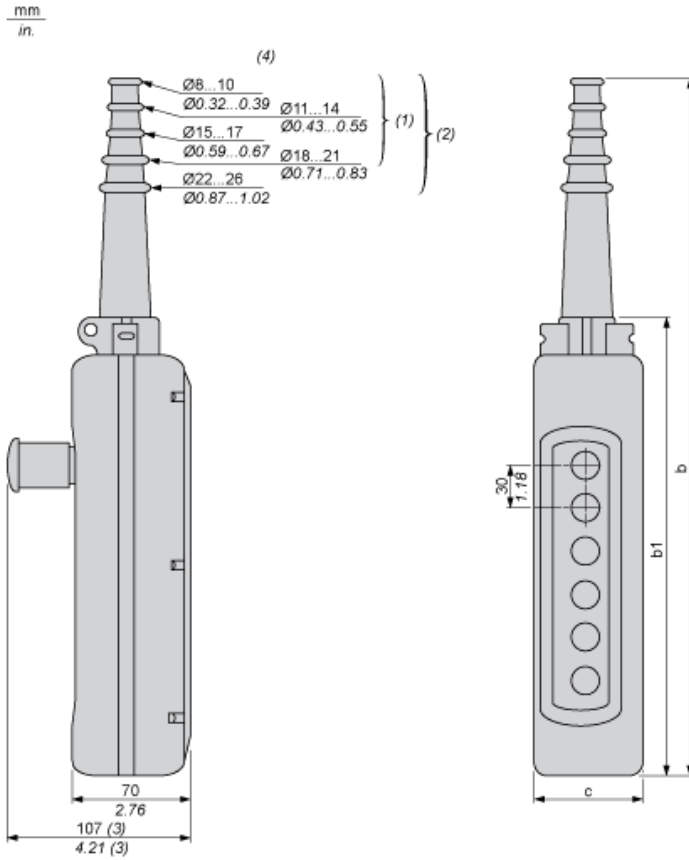
RoHS exemption information	Yes
Environmental Disclosure	Product Environmental Profile
WEEE	The product must be disposed on European Union markets following specific waste collection and never end up in rubbish bins
California proposition 65	WARNING: This product can expose you to chemicals including: Nickel compounds, which is known to the State of California to cause cancer, and Di-isodecyl phthalate (DIDP), which is known to the State of California to cause birth defects or other reproductive harm. For more information go to www.P65Warnings.ca.gov

Contractual warranty

Warranty	18 months
-----------------	-----------

Dimensions

Below drawing shows a product with 6 cut-outs. Select the number of cut-outs according to the product characteristics in order to get b, b1 and c dimensions.



- (1) For 2 and 3-way XAC A stations.
- (2) For 4 to 8-way XAC A stations.
- (3) With trigger action Emergency stop head operator
- (4) Internal ø

Dimensions in mm

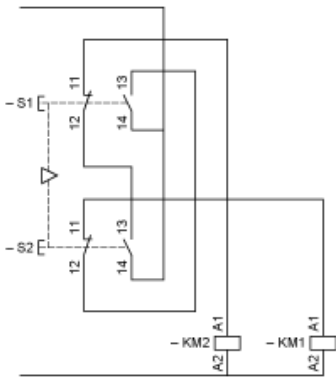
Number of cut-outs	2	3	4	5	6	8	12
b	314	314	440	440	500	560	680
b1	190	190	250	250	310	370	490
c	80	80	80	80	80	80	92

Dimensions in in.

Number of cut-outs	2	3	4	5	6	8	12
b	12.36	12.36	17.32	17.32	19.68	22.05	26.77
b1	7.48	7.48	9.84	9.84	12.20	14.57	19.29
c	3.15	3.15	3.15	3.15	3.15	3.15	3.62

Control of Single-Speed Reversing Motor

With ZBE2BE101 + ZB2BE102 contacts blocks, to be ordered separately

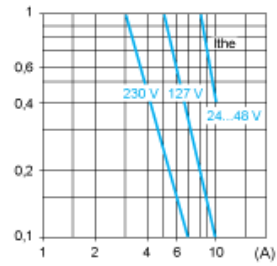


Rated Operational Power

AC Supply 50/60 Hz Inductive Circuit

Operating rate: 3600 operating cycles/hour. Load factor: 0.5.

Millions of operating cycles, AC-15 utilization category



I_{the} Thermal current
(A) Current

DC Supply

Operating rate: 3600 operating cycles/hour. Load factor: 0.5.

Power broken in W for 1 million operating cycles, DC-13 utilization category

Voltage	V	24	48	120
Inductive circuit	W	65	48	40

Recommended replacement(s)

XACA4814 is replaced by:

1x



Pendant control station, Harmony XAC, plastic, yellow, 4 push buttons with NO+NC, 1 emergency stop NC

XACA4813