

B & MCS-R Series



Contents

B Series

Introduction 8-4

Features 8-4

Applications 8-4

Product overview 8-5

Technical characteristics 8-6

How to order connectors 8-7 to 8-9

Dimensions 8-10

Panel cut-outs 8-10

MCS-R Series

Introduction 8-11

Features 8-11

Applications 8-11

Product overview 8-12

Technical characteristics 8-13 & 8-14

How to order connectors 8-15

Contacts part numbers 8-16

Dimensions 8-17

Panel cut-outs 8-17

Contact references 8-18

Locking system code VP 8-19

Connectors mounting plates 8-20

Connectors accessories 8-21 & 8-22

Micro coaxial contacts assembly instructions 8-23

Tools 8-24

SECTION 8 TABLE OF CONTENTS

Introduction

The B series connectors are of robust design with fixed solder pot contacts of 15 A current rating. They are available in four different contact arrangements. By their ruggedness, they are particularly suitable for rack and panel and cable to panel applications.

Applications

The series B connectors ensures complete safety for the following applications: Industries, transports, communications, power equipment and all specific civil and military electronic systems.

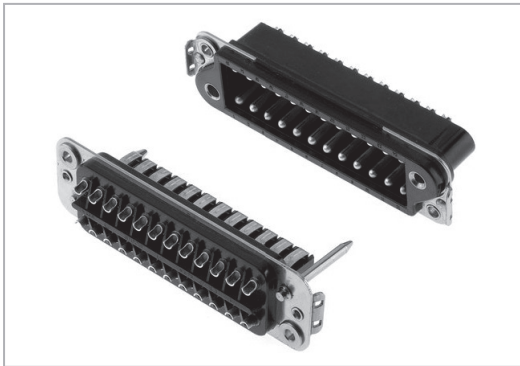
Features

Plug and receptacle connectors are made of a thermoset insulator moulded onto a stainless steel fixing plate. Four contact arrangements are available, 8, 14, 24 and 32 contacts.

The receptacle box type connectors are fitted with round pin contacts. The plug connectors are fitted with spring blade contacts and two stainless steel guide pins of different diameter providing polarization and mating before the contacts to ensure correct alignment.

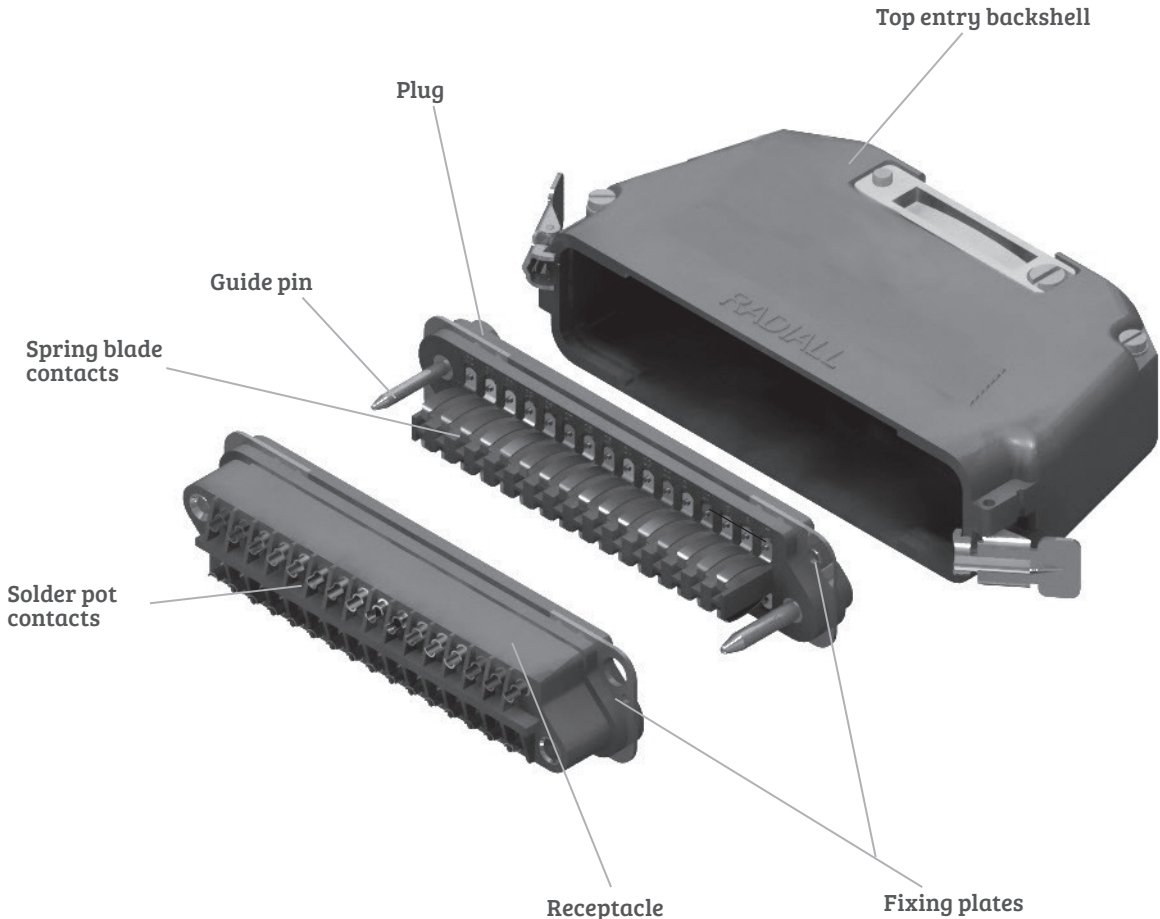
The pin contacts are in silver plated brass, the spring blade contacts are in silver plated bronze. The cambered configuration and elasticity procures a self wiping condition at each mating, ensuring high reliability.

The B series connector is only available with solder pot termination for gauge 16 wires. Standard receptacle connectors are fitted with floating eyelets, which allows 0.75 mm radial float.



Product Overview

Detailed view of the various parts of this series connector



B SERIES

Technical Characteristics

ELECTRICAL

Current rating by contact: 15 A

Test voltage:

- Between contacts: > 1500 V.r.m.s.
- Between contacts and earth: > 2000 V.r.m.s

Insulation resistance: > 5000 MΩ

Contact resistance: < 10 mΩ

MECHANICAL & ENVIRONMENTAL

Temperature range: -55°C (-131°F) to +125°C (+257°F)

Humidity: 21 days

Mating & unmating: 500 cycles

Contact retention: > 50 N

MATERIALS

Description	Material / Finish
Insulator block	Glass filled phenolic
Pin contacts (male)	Brass - silver plated
Spring blade contacts (female)	Bronze - silver plated
Guide pins	Stainless steel
Fixing plate	Stainless steel

MASSES g (oz)

Plug				
Contact Arrangement	08	14	24	32
Weight	35 (1.25)	50 (1.80)	70 (2.50)	85 (3)
Receptacle				
Contact Arrangement	08	14	24	32
Weight	35 (1.25)	50 (1.80)	70 (2.50)	85 (3)
Backshells				
Side entry	170 (6)	190 (6.70)	265 (9.35)	300 (10.60)
Top entry	180 (6.35)	200 (7.05)	280 (9.90)	320 (11.30)

How to Order Connectors

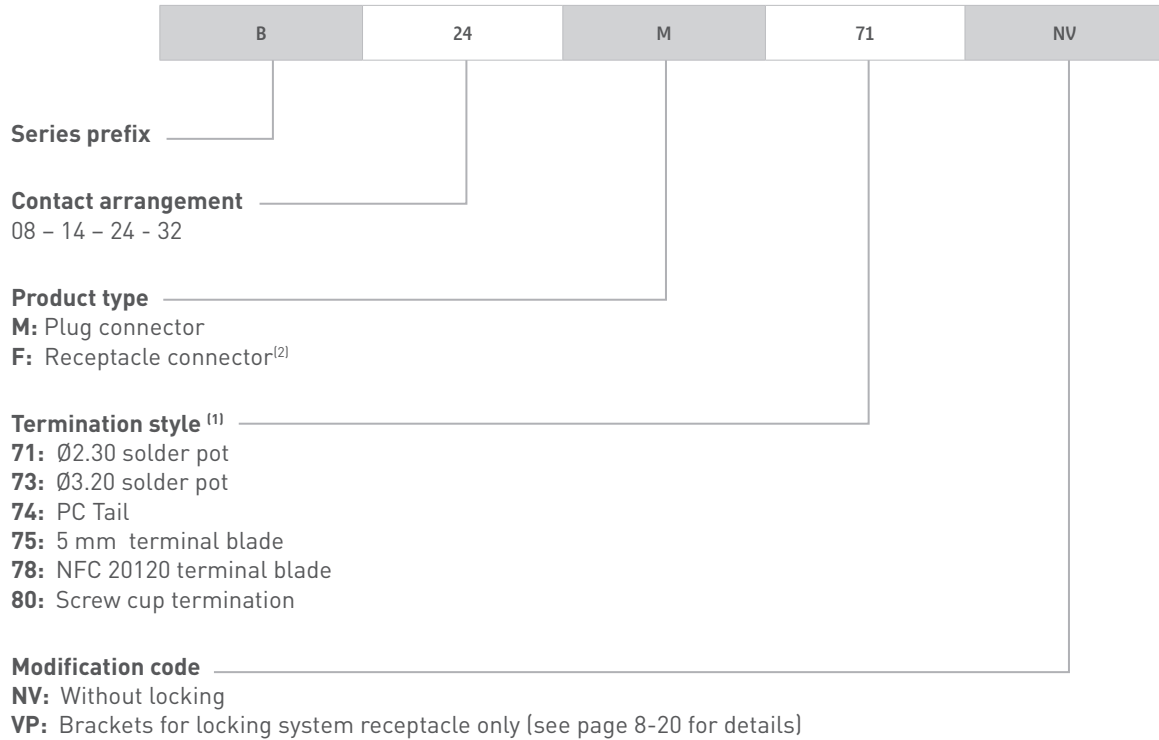
The following indications are to help you out when ordering B connectors.

When a receptacle connector is ordered with the locking system, in place of the floating eyelets, brackets are fitted whilst the locking clips are always fitted on the backshell.

For backshell and accessories please refer to pages 8-21 to 8-22 for ordering.

The plug connector is fitted with spring leaf contacts and the receptacle box type connector with pin contacts.

CONNECTOR PART NUMBER



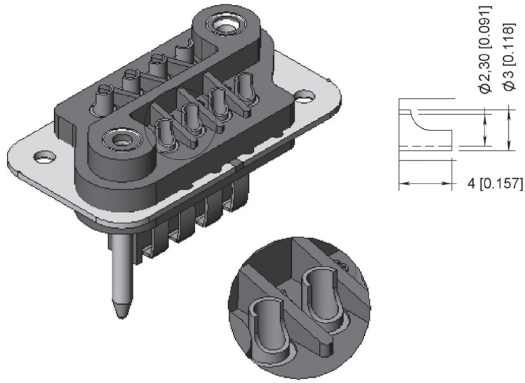
NOTES:

(1) Please refer to page 8-8 for views of termination styles.

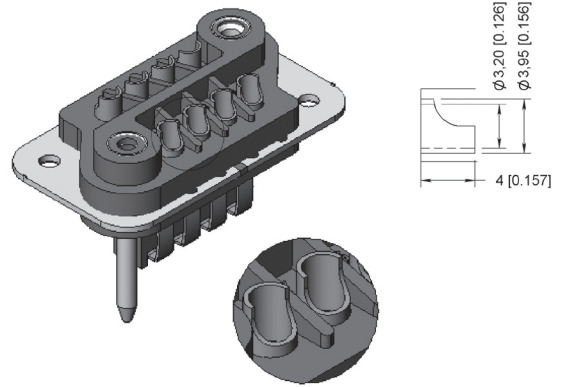
(2) Receptacle connector: only the 71 termination style is available

Termination Styles

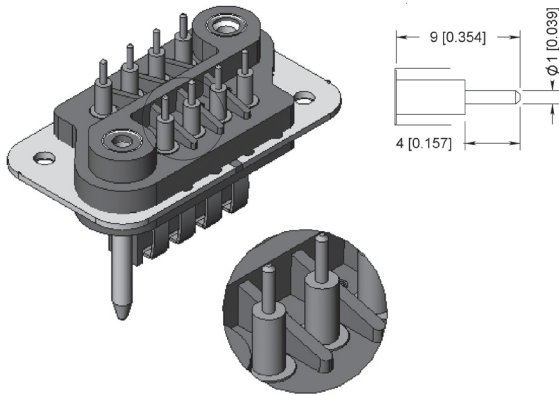
Following are the different termination styles available in details



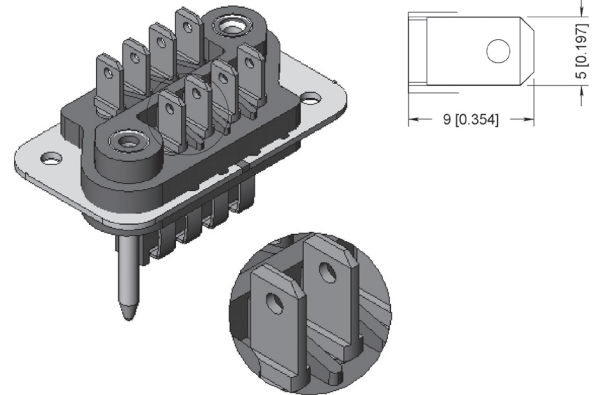
Style 71



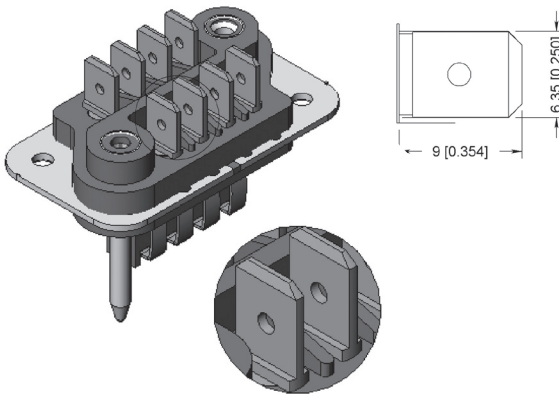
Style 73



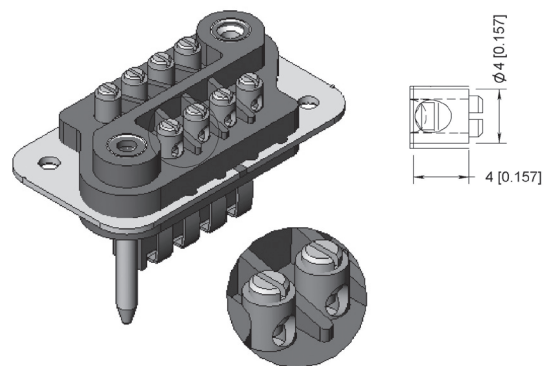
Style 74



Style 75

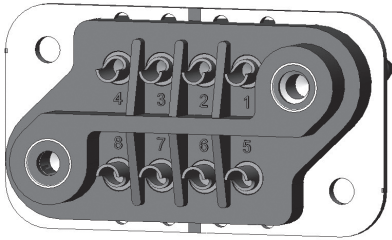


Style 78

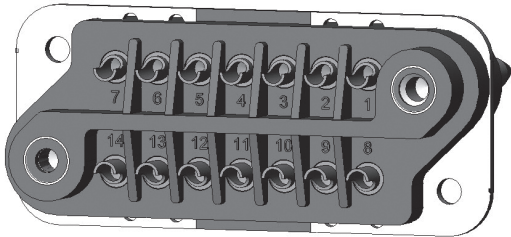


Style 80

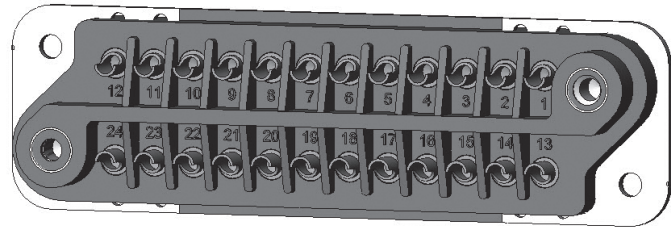
Contact Arrangements



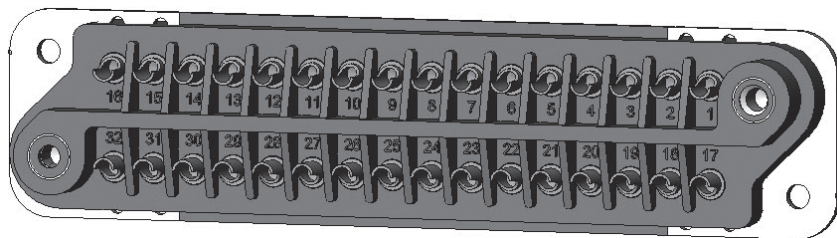
8 CONTACTS



14 CONTACTS



24 CONTACTS

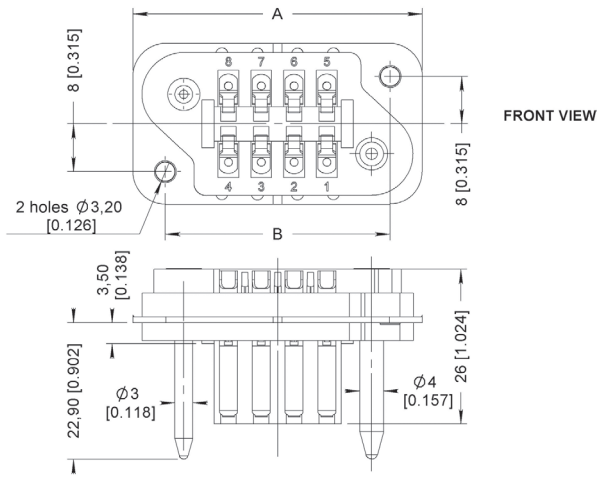


32 CONTACTS

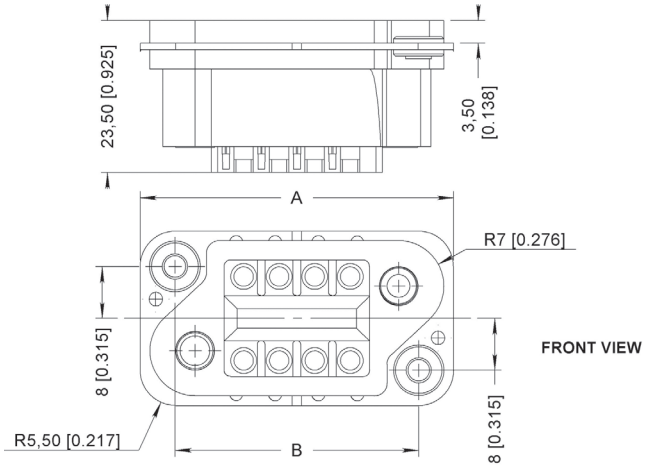
Dimensions

SINGLE SHELL DIMENSIONS mm(inch)

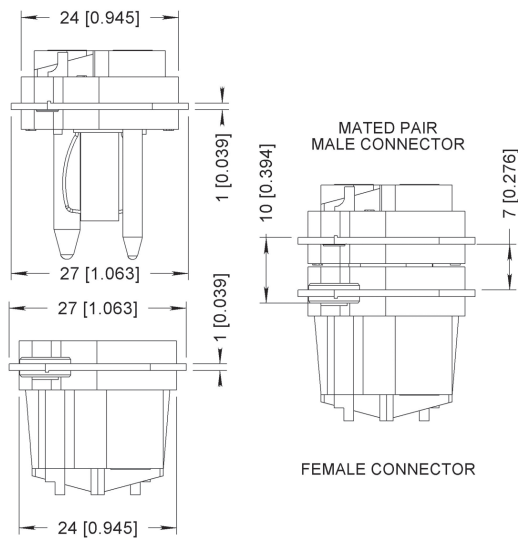
Male



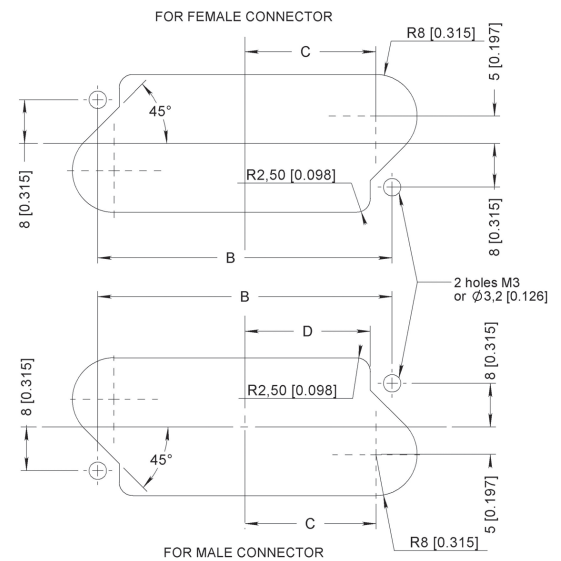
Female



MATED SHELL DIMENSIONS



PANEL CUT OUTS



Contact Arrangement	Plug & receptacle connector dimensions mm(inch)			
	A	B	C	D
08	48.5 [1.909]	37.5 [1.476]	15.75 [0.620]	15.5 [0.610]
14	65 [2.559]	54 [2.125]	24 [0.944]	23.5 [0.925]
24	92.5 [3.641]	81.5 [3.208]	37.75 [1.486]	37.5 [1.476]
32	114.5 [4.507]	103.5 [4.074]	48.75 [1.919]	48.5 [1.909]

Notes

B SERIES

Introduction

The MCSR series connectors are of robust design and available in four contacts arrangements, respectively 28, 48, 83 and 113 wire contacts, size gauge 16. The same number of micro coaxial contacts can be installed instead of the wired contacts. A unique feature of the MCSR connector is that it's interchangeable with the B series, however, it is not fully intermateable. The connectors may be adapted with die cast aluminium hoods, with two types of cable entries, either from the top or from the side.

Applications

MCSR connectors are suitable for various applications in the following industrial fields: Communications and automation systems, electronic equipment, naval, aerospace, and defense applications.

Features

The MCS-R series, plug and receptacle connectors are made of a thermostat insulator moulded onto a stainless steel fixing plate. Four contact arrangements are available, 28, 48, 83 and 113 contacts.

The plug connector is fitted with two guide pins of different diameter, which provides polarization and mate before the contacts ensuring a perfect alignment and reliability. The plug connector accepts socket wire contacts or pin micro coaxial contacts.

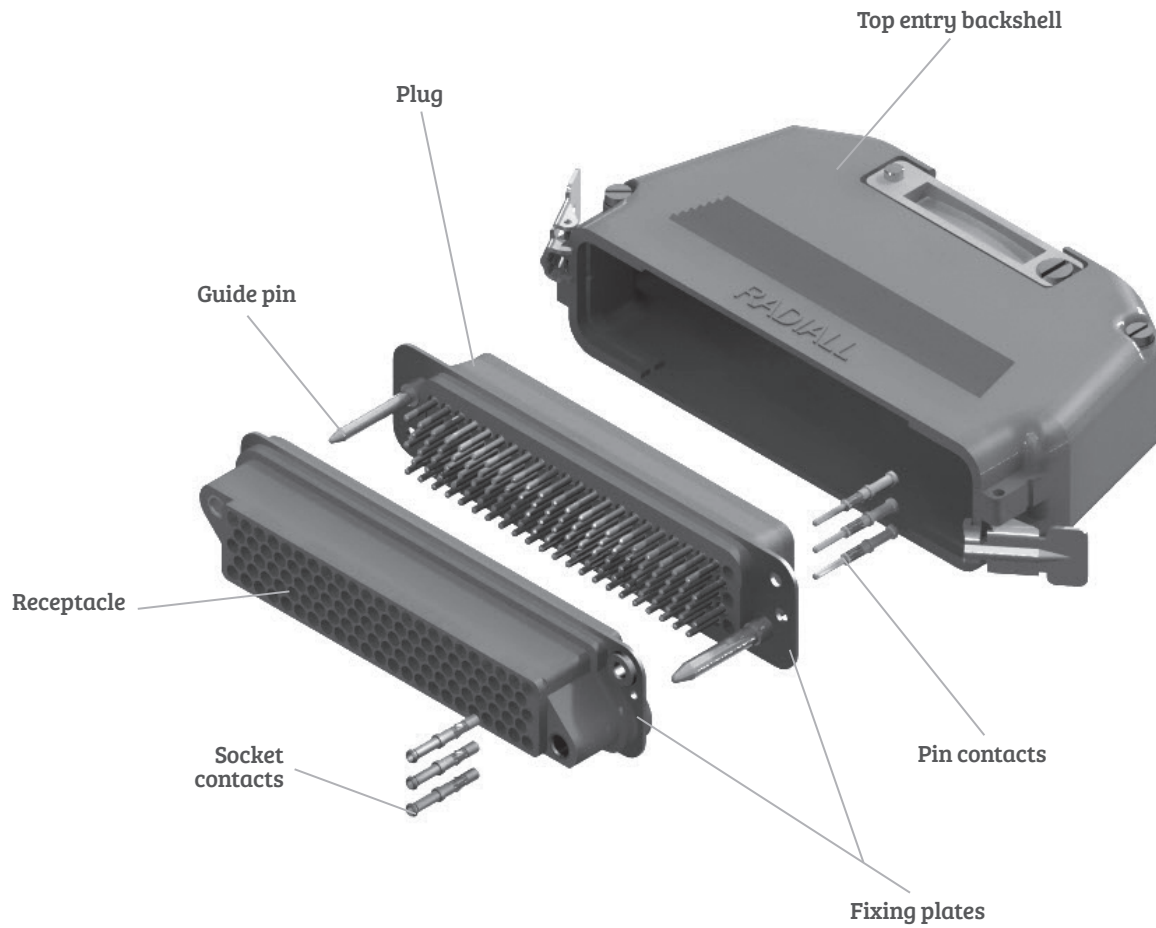
The receptacle connector accepts pin wire contacts or socket micro coaxial contacts and is fitted with floating eyelets which allows 0.75 mm radial float.

Three termination styles on the contacts are available, wire contacts with solder pot or crimp for wire size gauge 16 and micro coaxial contacts, crimp style.



Product Overview

Detailed view of the various parts of this series connector



MCS-R SERIES

Technical Characteristics

ELECTRICAL

Current rating by contact: 13 A

Operating voltage: 350 V.r.m.s @ 50 Hz

Test voltage: 1500 V.r.m.s @ 50 Hz

Insulation resistance: > 5000 MΩ

Contact resistance: < 12 mΩ

ELECTRICAL WITH MICRO COAXIAL CONTACTS

Impedance: 50 Ω

Operating frequency range: 0 to 1000 MHz

VSWR of pair of contacts: < 1.4 from 0 to 1000 MHz

Insertion loss of a pair of contacts @ 1000 MHz: < 0.20dB

Test voltage at sea level (mated pair): 600 V.r.m.s @ 50Hz

Insulation resistance: > 5000 MΩ

Contact resistance: < 12 mΩ

MECHANICAL & ENVIRONMENTAL

Temperature range: -55°C (-131°F) to +125°C (+257°F)

Humidity: 21 days

Mating & unmating: 500 cycles

Contact retention: > 50 N

Technical Characteristics

MATERIALS

Description	Material / Finish
Insulator block	Glass filled phenolic
Guide pins	Stainless steel
Fixing plate	Stainless steel
Contacts	Copper alloy – gold over nickel plated

MASSES g (oz)

Plug				
Contact Arrangement	28	48	83	113
Weight	40 (1.45)	60 (2.15)	90 (3.20)	115 (4.05)
Receptacle				
Contact Arrangement	28	48	83	113
Weight	40 (1.45)	55 (1.95)	85 (3)	110 (3.90)
Backshells				
Side entry	170 (6)	190 (6.70)	265 (9.35)	300 (10.60)
Top entry	180 (6.35)	200 (7.05)	280 (9.90)	320 (11.30)

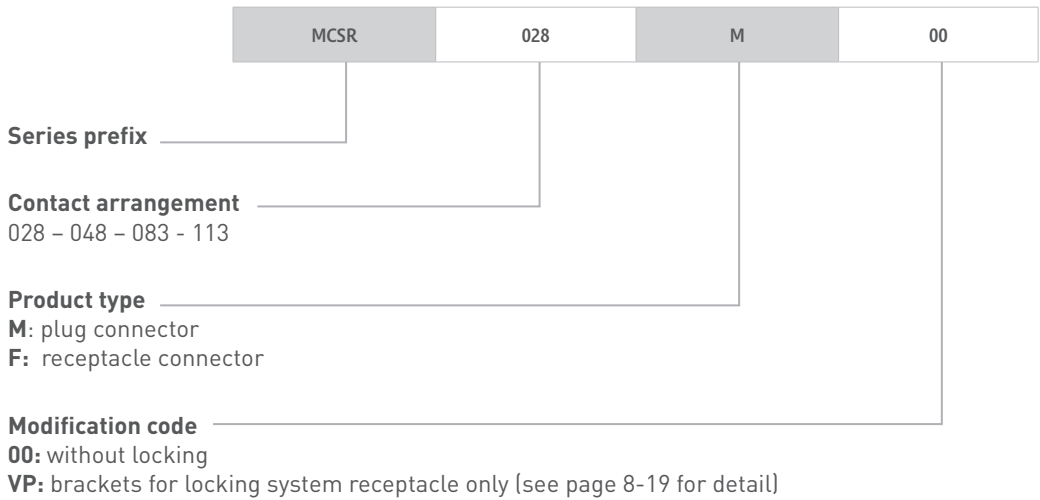


MCS-R SERIES

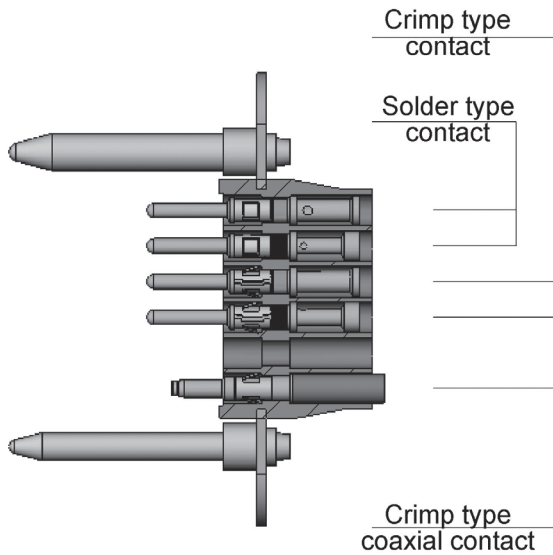
How to Order Connectors

The following indications are useful when ordering MCS-R connectors. When ordering a connector with its locking system VP, brackets fitted on the female connector replace the eyelets, whilst the locking clips are always fitted on the backshell. Series MCS-R contacts are removable. Contacts shall be ordered separately following the termination style and quantities desired.

For backshells and accessories please refer to page 8-21 to 8-22 for ordering
For contact references please refer to page 8-18

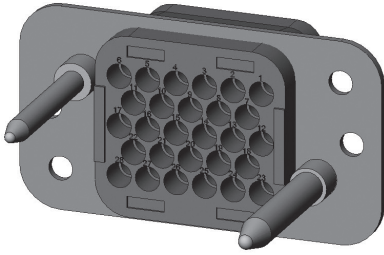


TERMINATION STYLES

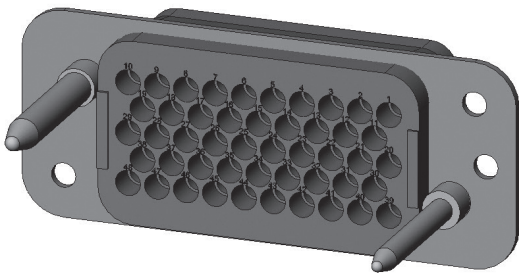


Contact Arrangements

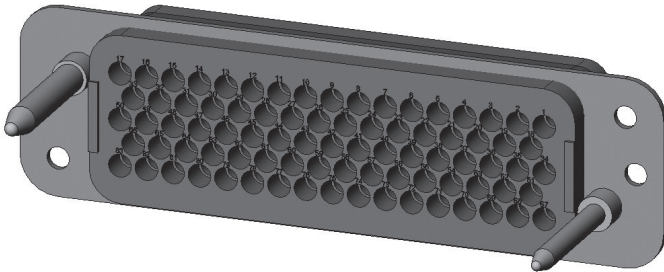
PLUG VIEW SHOWN



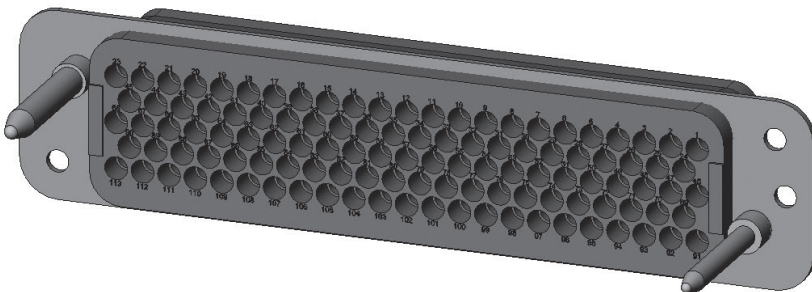
28 contacts



48 contacts



83 contacts



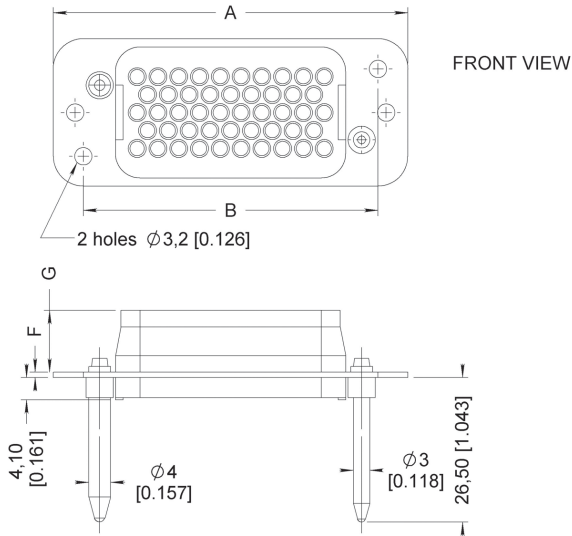
113 contacts

MCS-R SERIES

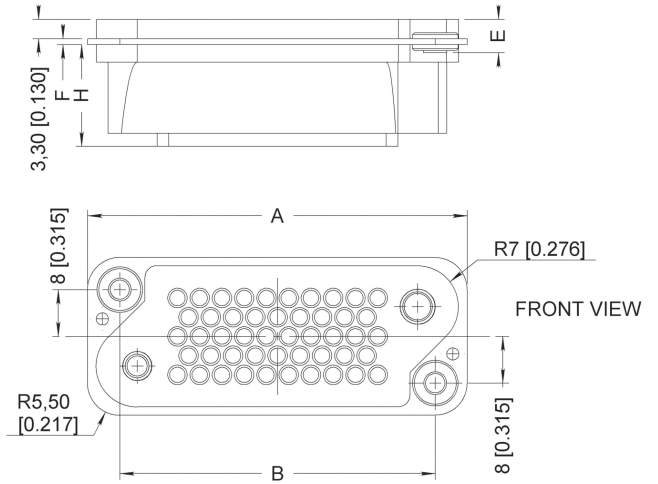
Dimensions

SINGLE SHELL DIMENSIONS mm (inch)

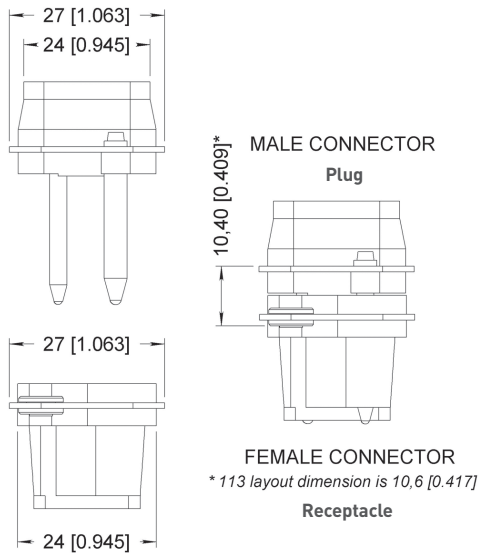
Plug



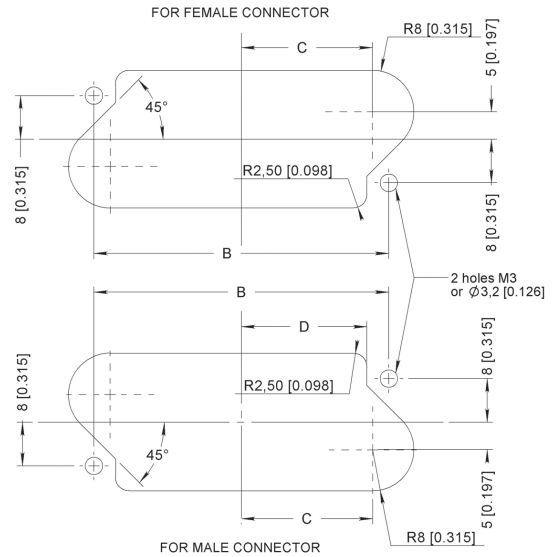
Receptacle



Mated Shell Dimensions



Panel Cut Outs



Contact Arrangement	Plug & receptacle connector dimensions mm(inch)							
	A	B	C	D	E	F	G	H
028	48.5 [1.909]	37.5 [1.476]	15.75 [0.620]	15.5 [0.610]	5.3 [0.209]	1 [0.039]	11.5 [0.452]	17.7 [0.697]
048	65 [2.559]	54 [2.126]	24 [0.945]	23.5 [0.925]	5.3 [0.209]			
083	92.5 [3.642]	81.5 [3.209]	37.75 [1.486]	37.5 [1.476]	5.3 [0.209]			
113	114.5 [4.508]	103.5 [4.075]	48.75 [1.919]	48.5 [1.909]	5.5 [0.217]	1.2 [0.047]	11.3 [0.445]	17.5 [0.689]

Contact References ⁽¹⁾

MICRO COAXIAL CONTACTS

Cable type	Type	Part number	Outer conductor Description		Center conductor Description	
			Crimping tool	Setting	Crimping Tool	Positionner
RG178 RG196 KX21	Pin	614120	282281 M22520/2-01	1	282292 M22520/4-01	282973 M22520/4-02
	Socket	690020				
RG174 RG188 RG316 KX3 – KX22	Pin	614140	282281 M22520/2-01	2	282292 M22520/4-01	282973 M22520/4-02
	Socket	690040				
AWG26 Twisted pair cable Ø1.1	Pin	614160	282281 M22520/2-01	2	282292 M22520/4-01	282973 M22520/4-02
	Socket	690060				
AWG24 Twisted pair cable Ø1.3	Pin	614170	282281 M22520/2-01	2	282292 M22520/4-01	282973 M22520/4-02
	Socket	690070				

CRIMP WIRE CONTACTS ⁽²⁾

Cable type	Type	Part number	Crimping tool	Positionner	Extraction tool
AWG16 AWG18 AWG20	Pin	614200	282291 M22520/1-01	282975	282920
	Socket	690300			
AWG20 AWG22 AWG24	Pin	614200	282291 M22520/1-01	282976	282920
	Socket	690300			

SOLDER WIRE CONTACTS ⁽²⁾

Cable type	Type	Part number	Extraction tool
AWG16 AWG18 AWG20	Pin	614230	282920
	Socket	614330	
AWG20 AWG22 AWG24	Pin	614240	282920
	Socket	614340	



NOTES:

(1) For other termination please consult us

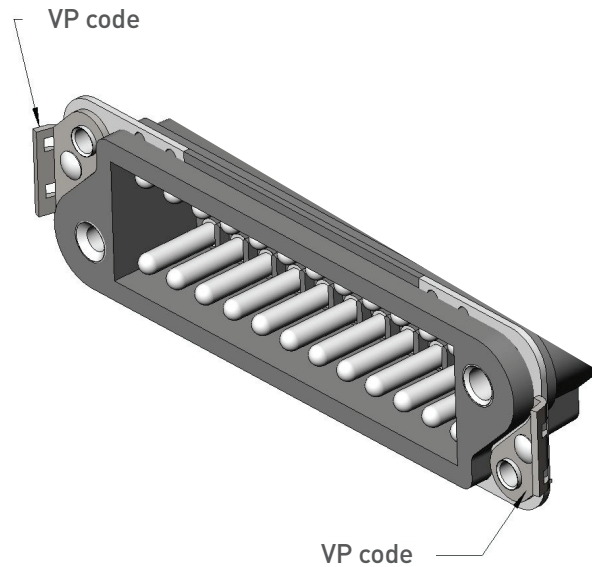
(2) Stripping length for cable types AWG16-18-20 is 6 and for types AWG20-22-24 it is 5

Locking System Code VP

The brackets can only be used on the receptacle connector and enables it to be fastened securely when its mating half is fitted with a hood

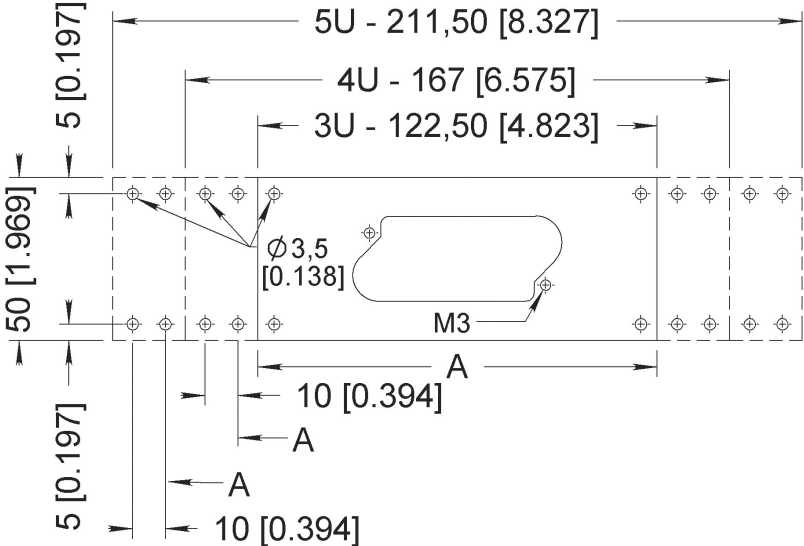
The brackets replace the floating eyelets on the receptacle connector

On both series B and MCSR when **VP code** is ordered, the corresponding hood must be ordered with the male connector



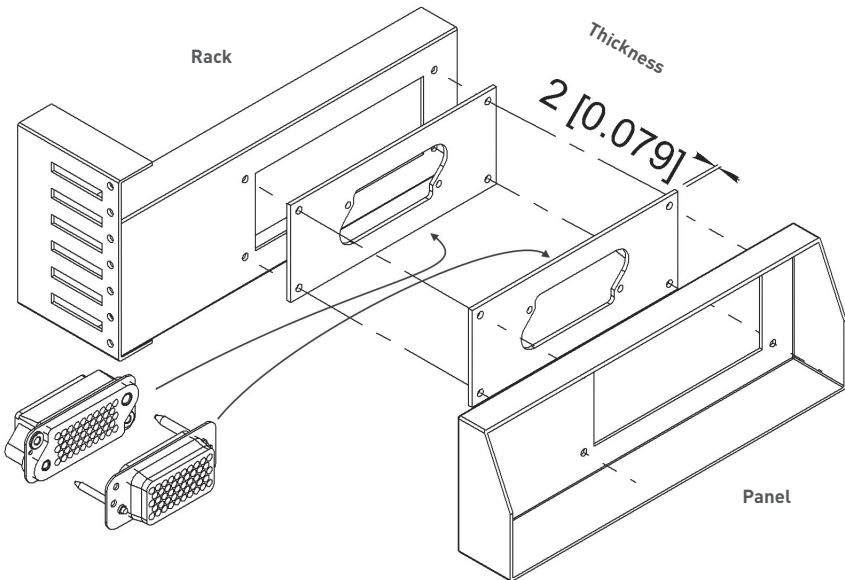
Connectors Mounting Plates

The mounting plates already blanked out, simplify the wall cut out on the rack or panel as well as on any other item designed to support the connector. The latter is directly fitted to the mounting plate, which can then be easily secured with accuracy on the equipment due to the four oblong holes of the mounting plate.



Series		Reference following number of cut outs		
B	MCSR	3 U	4 U	5 U
14	48	PP314	PP414	PP514
24	83	PP324	PP424	PP524
32	113	-	PP432	-
Dimensions A mm (inch)		114.5 (4.508)	139 (5.472)	183.5 (7.224)

MCS-R SERIES



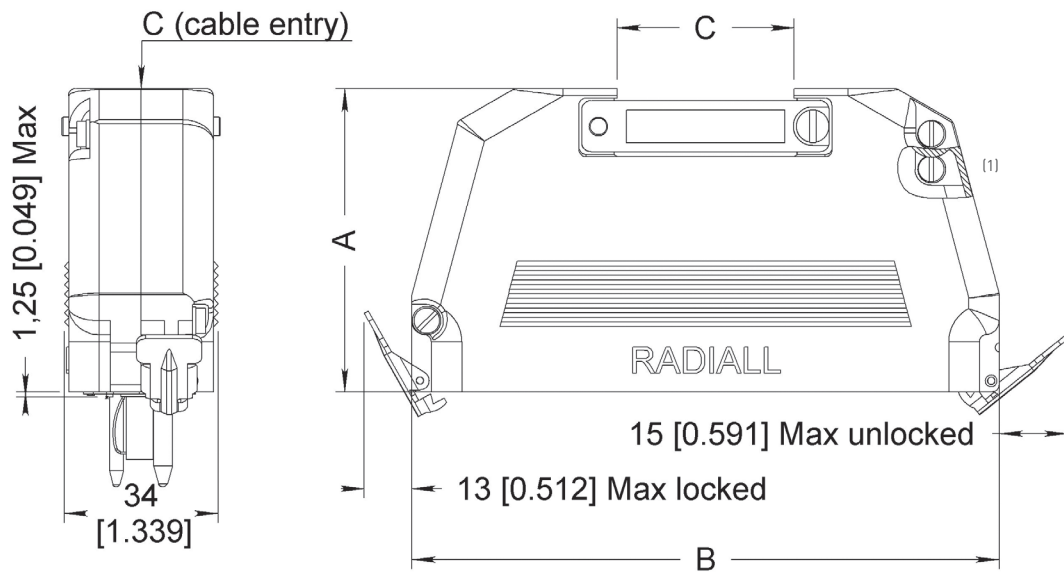
Connectors Accessories


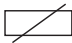
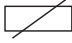
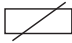
The backshells for both series B and MCSR are available in four sizes and are supplied in two halves which enables them to be fitted after the wiring of the connectors.

They are available either with TOP or SIDE (45°) cable entry.

Each backshell is fitted with a pair of locking clips, one fixed on each end. This allows the connector backshell assembly to be fastened securely to the mating connector fitted with the VP brackets.

TOP ENTRY



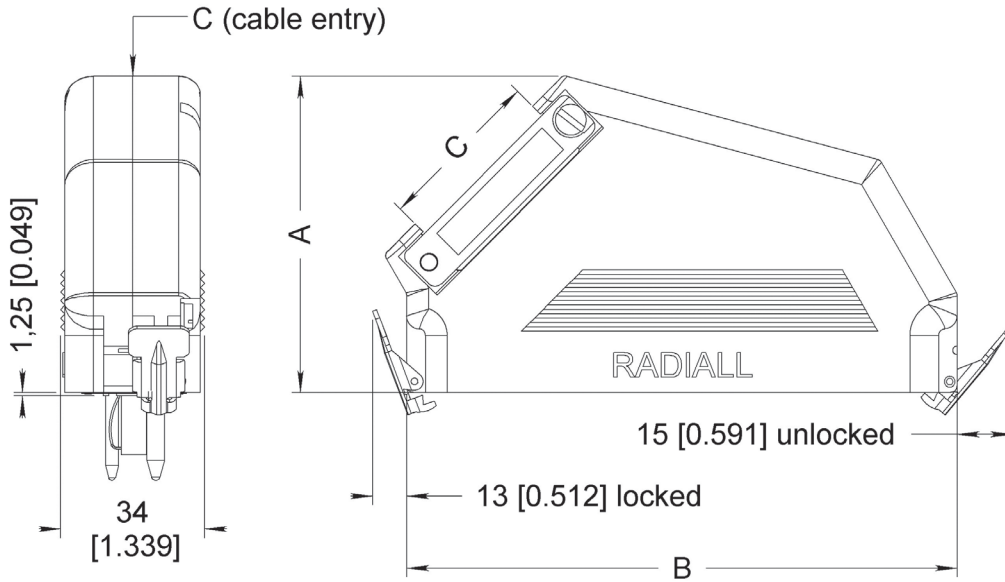
Part number for TOP ENTRY	Number of contacts		B & MCSR dimensions mm (inch)		
	B series	MCSR series	A	B	C
612813	8	28	52.5 [2.067]	60.5 [2.382]	 26 x 10 (1.024 x 0.394)
612823	14	48		77 [3.031]	 26 x 15 (1.024 x 0.591)
612837	24	83	65.5 [2.579]	104.5 [4.114]	 38 x 20 (1.496 x 0.787)
612845	32	113		126.5 [4.980]	 38 x 20 (1.496 x 0.787)

NOTE:

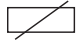
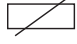
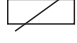
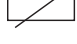
(1) This screw is for grounding purpose.

Connectors Accessories

SIDE ENTRY



MCS-R SERIES

Part number for SIDE ENTRY	Number of contacts		B & MCSR dimensions mm (inch)		
	B series	MCSR series	A	B	C
612814	8	28	63 [2.480]	60.5 (2.382)	 26 x 10 (1.024 x 0.394)
612824	14	48		77 (3.031)	 26 x 15 (1.024 x 0.591)
612838	24	83	73 [2.874]	104.5 (4.114)	 38 x 20 (1.496 x 0.787)
612846	32	113		126.5 (4.980)	 38 x 20 (1.496 x 0.787)

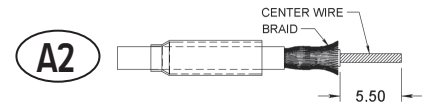
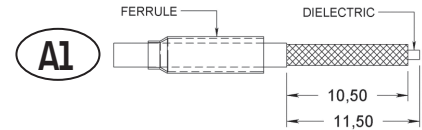
Micro Coaxial Contacts Assembly Instructions

Three different modes of assembly are to be considered depending on the cable type used. The two first assemblies A and B are applicable for braid coaxial cables, whilst the third assembly C is applicable for twin conductor cable. The three mounting procedures are identical for both contact types, pin and socket.

A Mounting procedure coaxial cables

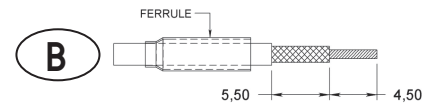
After sliding the ferrule over the cable and stripping the latter to the dimensions shown in A1.

- Comb the braid in opening it up, strip the center wire to the dimension shown in A2.
- Slide the insulator bushing ⁽¹⁾ over the dielectric .
- Place the center contact ⁽²⁾ over the conductor, the contact must butt against the insulator bushing ⁽¹⁾.
- Crimp the center contact with tool 282281.
- Slide the cable and contact into the body⁽³⁾ ensuring that it's pushed home, then trim back the braid over the body ⁽³⁾.
- Slide the ferrule over the braid up to the body shoulder.
- Place the assembly into tool 282292 and crimp the ferrule.



B After sliding the ferrule over the cable, strip the latter to dimensions shown in B (mounting of coaxial contacts without insulator bushing).

- Comb the braid and place the center contact over the conductor butting it against the dielectric.
- Place the sub assembly into tool 282281 and crimp the center contact.
- The following steps are identical to those indicated in A.

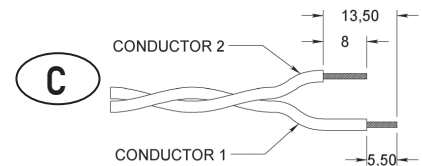


C Micro coaxial contacts with twin conductor cable

After sliding the ferrule over the twin conductors and stripping them to dimensions shown in C.

Note: conductor 1 is for the centre contact, whilst conductor 2 is for earthing.

- Slide the adaptor 2 and the insulator bushing ⁽¹⁾ over conductor 1.
- Place the center contact ⁽²⁾ over the conductor, butting it against the sheath.
- Place the sub assembly into tool 282281 and crimp the centre contact.
- Slide the cable and contact into the body ⁽³⁾, ensuring that its home.
- Slide the adaptor 2 onto the body ⁽³⁾ against the shoulder.
- Place conductor 2 into the helical slot.
- Slide the ferrule over the adaptor and conductor 2, up to the shoulder of the body ⁽³⁾.
- Place the assembly into tool 282292 and crimp the ferrule.



NOTES:

- (1) Insulating bush
- (2) Socket or pin contact
- (3) Contact body

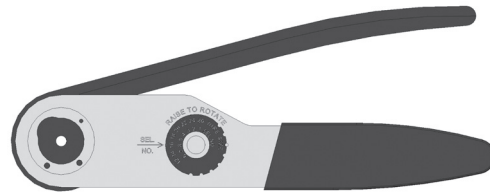
Tools

CRIMP TOOLS

282281 – M22520/2-01

282291 – M22520/1-01

282292 – M22520/4-01

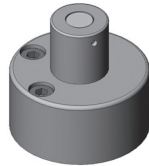


POSITIONERS

282973 – M22520/4-02

282976 – Daniels TP616

282975 – Daniels TP617



EXTRACTION TOOL

282920



MCS-R SERIES

MCS-R SERIES

Notes



Our most
important
connection
is with you.™

It's not just a slogan. It's a statement of our earnest desire to put you at the forefront of all our business practices. As part of Radiall's mission to be available and accessible, we make it a priority to have local offices around the globe ready and able to assist you – wherever you are, whenever you need us.

Europe

	ADDRESS	PHONE	FAX	EMAIL
FINLAND	Radiall Finland PO Box 202 - 90101 Oulu	+358 407522412		infofi@radiall.com
FRANCE	Radiall SA 101 Rue Philibert Hoffmann 93116 Rosny Sous Bois	+33 1 49 35 35 35	+33 1 49 35 35 14	infofr@radiall.com
GERMANY	Radiall GmbH Carl Zeiss Str. 10 Postfach 200143 D63307 Rödermark	+49 60 74 91 07 0	+49 60 74 91 07 70	infode@radiall.com
ITALY	Radiall Elettronica S.R.L Via della Resistenza 113 - 20090 Buccinasco Milano	+39 02 48 85 121	+39 02 48 84 30 18	infoit@radiall.com
NETHERLANDS	Radiall Nederland BV Hogebrinkerweg 15b - 3871 KM Hoevelaken	+31 33 253 40 09	+31 33 253 45 12	infofl@radiall.com
SWEDEN	Radiall AB Sjöängsvägen 2 - SE - 192 72 Sollentuna	+46 8 444 34 10	+46 8 754 49 16	infose@radiall.com
UNITED KINGDOM	Radiall Ltd Ground Floor 6 The Grand Union Office Park Packet Boat Lane UXBRIDGE Middlesex UB8 2GH United Kingdom	+44 (0)1895 425000	+44 (0)1895 425010	infouk@radiall.com

Asia

	ADDRESS	PHONE	FAX	EMAIL
CHINA	Shanghai Radiall Electronics CO, Ltd N° 390 Yong He Rd SHANGHAI 200072 P.R.C	+86 21 66523788	+86 21 66521177	infosh@radiall.com
HONG KONG	Radiall Electronics (Asia) Ltd Flat D, 6/F, Ford Glory Plaza, 37-39 Wing Hong Street - Cheung Sha Wan - Kowloon - Hong Kong	+852 29593833	+852 29592636	infohk@radiall.com
INDIA	Radiall India Pvt. Ltd 25.D.II phase Peenya Industrial Area. Bangalore-560058	+91 80 23720989	+91 80 28397228	infoin@radiall.com
JAPAN	Nihon Radiall Shibuya-Ku Ebisu 1-5-2, Kougetsu Bldg 405 - Tokyo 150-0013	+81 3 34406241	+81 3 34406242	infojp@radiall.com

Americas

	ADDRESS	PHONE	FAX	EMAIL
USA & CANADA	Radiall USA, Inc. 8950 South 52nd Street Ste 401 Tempe, AZ 85284	+1 480-682-9400	+1 480-682-9403	infousa@radiall.com

Also Represented In...

AUSTRALIA AUSTRIA BELGIUM BRAZIL CZECH REPUBLIC DENMARK ESTONIA GREECE HUNGARY INDONESIA ISRAEL KOREA LATVIA LITHUANIA
MALAYSIA NORWAY PHILIPPINES POLAND PORTUGAL RUSSIA SINGAPORE SPAIN SWITZERLAND TAIWAN THAILAND VIETNAM SOUTH AFRICA